



**RUkOSEN**<sup>®</sup>  
ABKANT VE PUNCH PRESS TAKIMLARI  
SANAYİ TİCARET LIMITED ŞİRKETİ

## ÖNSÖZ

RUkoSEN mükemmeliyetçilik çerçevesinde sac işleme sektöründeki deneyimini, yüksek teknolojiye sahip makineleri ve ekip çalışmasını benimsemiş teknik kadrosuyla, abkant press'i sac kıvrma kalıplarının imalatı konusunda siz değerli müşterilerimize uzun yıllar hizmet vermek amacıyla kurulmuştur.

## KALİTE ANLAYIŞIMIZ

En ekonomik, en kullanışlı ulusal ve uluslararası teknik standartlara uygun satış ve satış sonrası hizmet devamlılığı ile müşteri memnuniyetini en üst seviyede tutmak.

## MİSYON

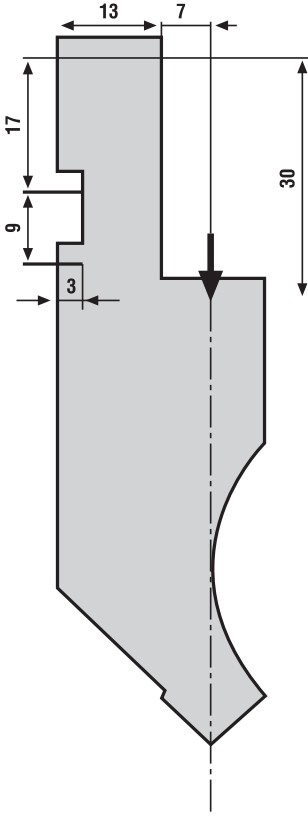
Müşterilerimizin tüm ürün ve hizmet beklentilerini karşılamak için kendimizi sürekli geliştirerek her zaman daha iyi çözümler sunmak.

## VİZYON

Sac işleme sektöründe öncü çözüm ve hizmetleriyle fark yaratan, Türkiye'de lider, uluslararası pazarda söz sahibi olmak.

## İÇİNDEKİLER

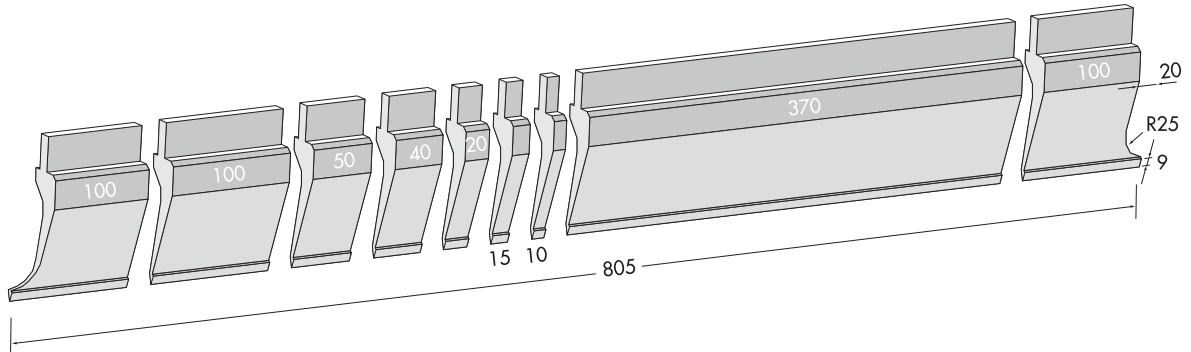
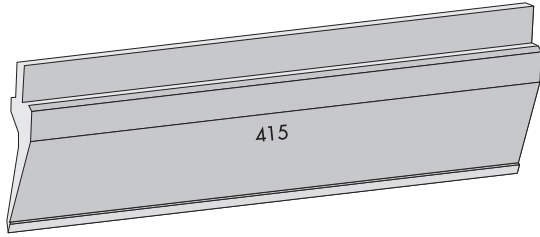
DURMAZLAR TİPİ	SAYFA 1
ERMAKSAN TİPİ	SAYFA 1
BAYKAL TİPİ	SAYFA 1
İNANLAR TİPİ	SAYFA 1
MVD TİPİ	SAYFA 1
DENER TİPİ	SAYFA 1
CEMATEK TİPİ	SAYFA 1
HACO TİPİ	SAYFA 1
PROMECAM-AMADA TYPE	SAYFA 1
TRUMPF-WILA TYPE	SAYFA 27
BEYELER TYPE	SAYFA 35
GASPARINI TYPE	SAYFA 42
COLGAR TYPE	SAYFA 44
LVD-WILA TYPE	SAYFA 46
COLLY TYPE	SAYFA 52
AJIAL-AXIAL TYPE	SAYFA 56
HAMMERLE-BYSTRONIC TYPE	SAYFA 57
ÖZEL ABKANT TAKIMLARI	SAYFA 61
AKSESUARLAR	SAYFA 64
GİYOTİN KESME BIÇAKLARI	SAYFA 65
GÜÇLENDİRME	SAYFA 66



## ÜST BAĞLANTI

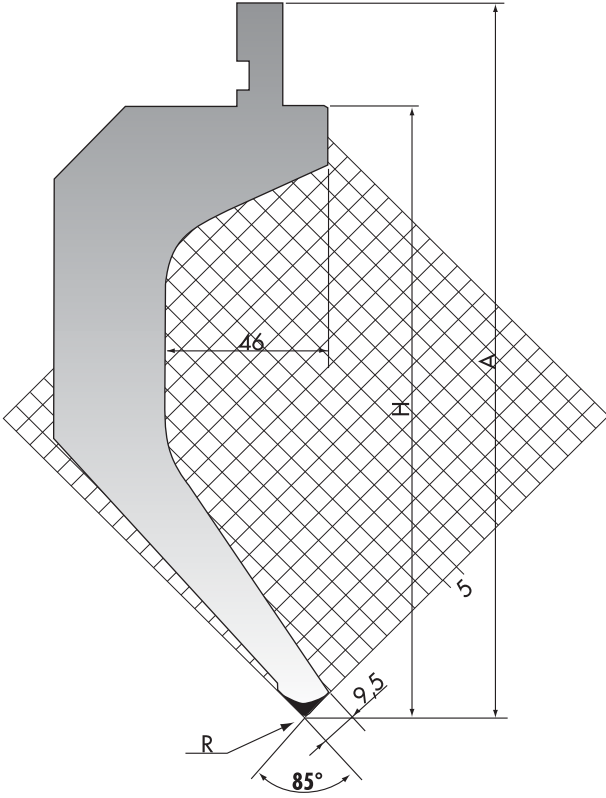
Yanda teknik resmi bulunan kalıp, standart bağlantı ölçülerini göstermektedir.

Üretimini yapmış olduğumuz farklı bağlantı tipleride mevcuttur.



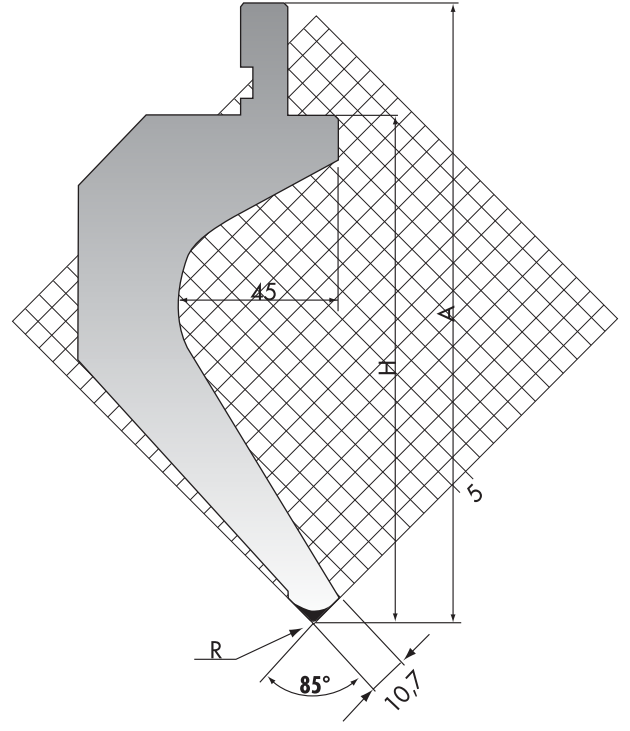
# PROMECAM-AMADA TYPE

RKS-01-TO.205-85-(R08-R2)-835



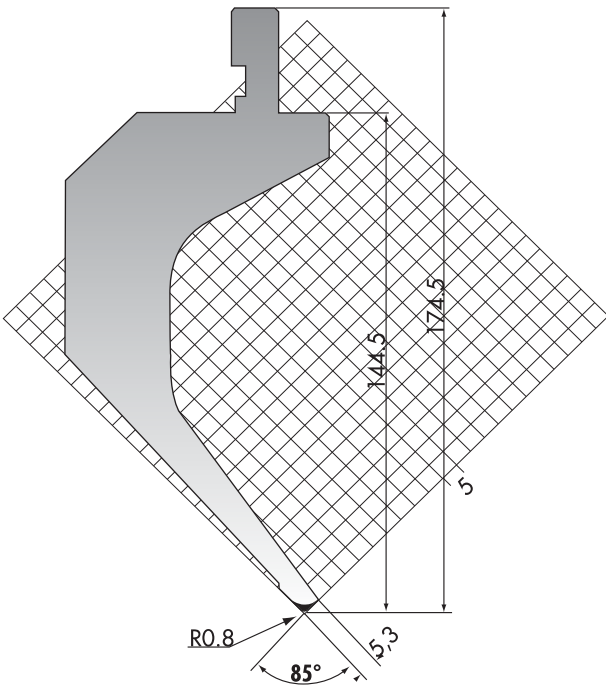
	H mm	A mm	R mm	max t/m
205-85-R08	175	205	0,8	70
205-85-R2	174,3	204,3	2	70

RKS-01-TO.175-85-(R08-R2)-835



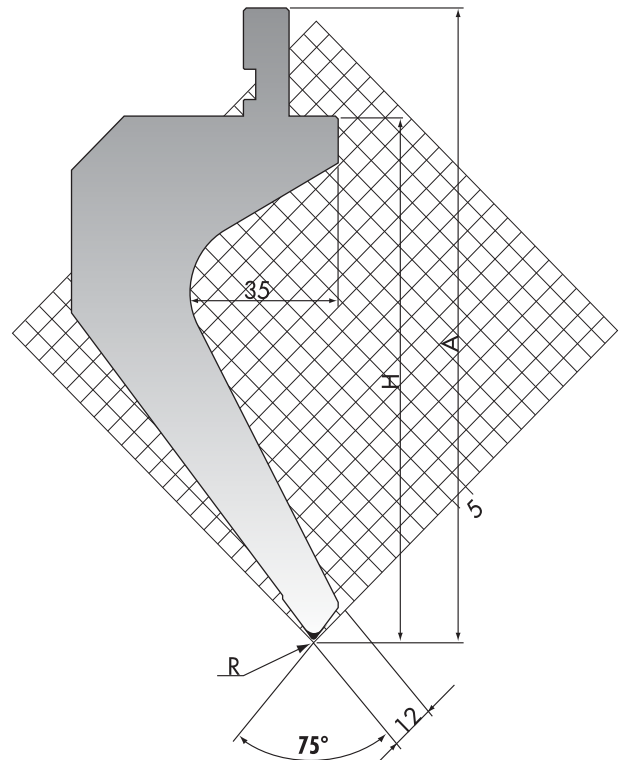
	H mm	A mm	R mm	max t/m
175-85-R08	145	175	0,8	90
175-85-R2	144,3	174,3	2	90

RKS-01-TO.175-85-R08-S-835



	max t/m
175-85-R08-S	20

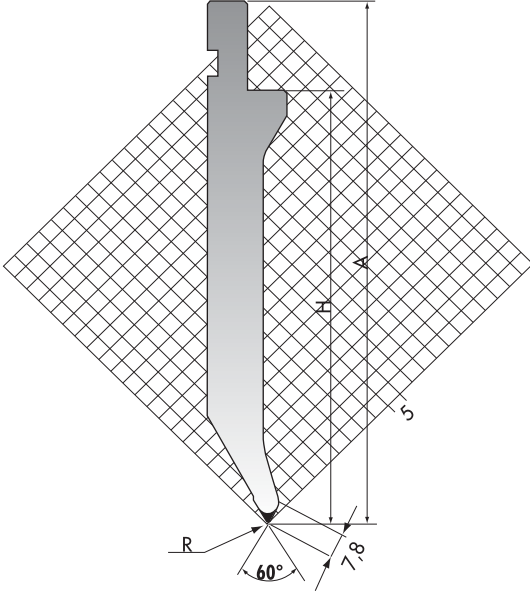
RKS-01-TO.175-75-(R08-R2)-835



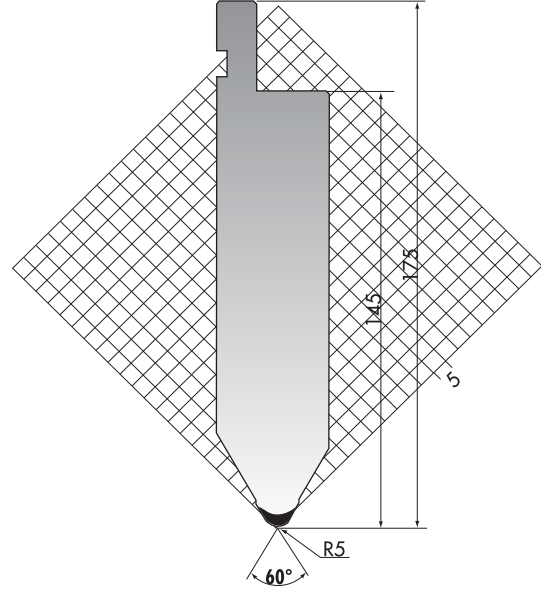
	H mm	A mm	R mm	max t/m
175-75-R08	145	175	0,8	75
175-75-R2	144,2	174,2	2	75

# PROMECAM-AMADA TYPE

RKS-01-TO.175-60-(R08-R2)-835



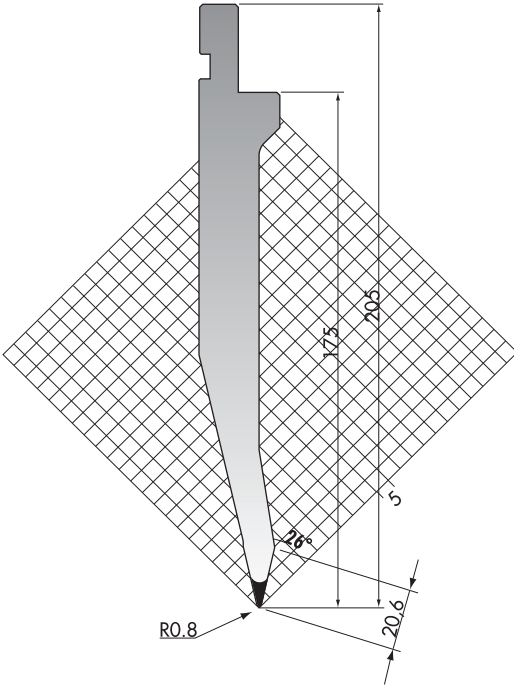
RKS-01-TO.175-60-R5-835



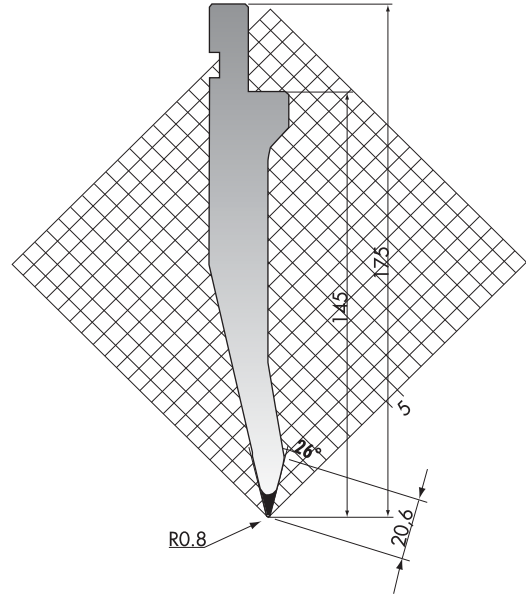
	H mm	A mm	R mm	max t/m
175-60-R08	145	175	0,8	80
175-60-R2	143,8	173,8	2	80

	max t/m
175-60-R5	160

RKS-01-TO.205-26-R08-835



RKS-01-TO.175-26-R08-835

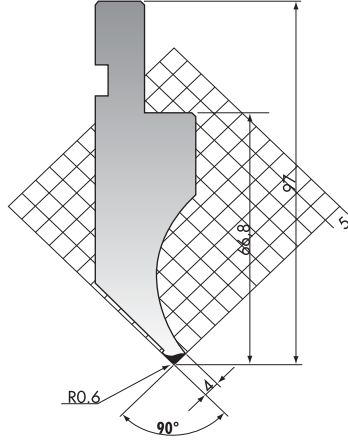


	max t/m
205-26-R08	95

	max t/m
175-26-R08	95

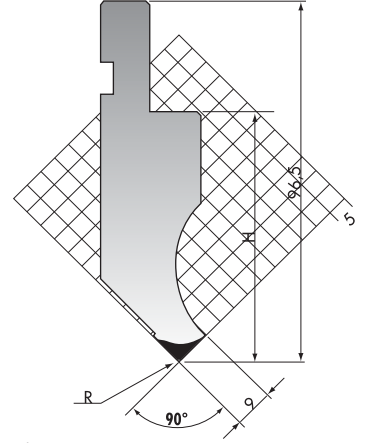
# PROMECAM-AMADA TYPE

RKS-01-PK.97-90-R06-835



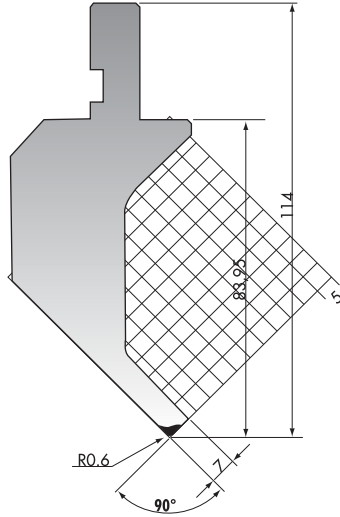
	max t/m
97-90-R06	35

RKS-01-PK.97-90-(R08-025)-835



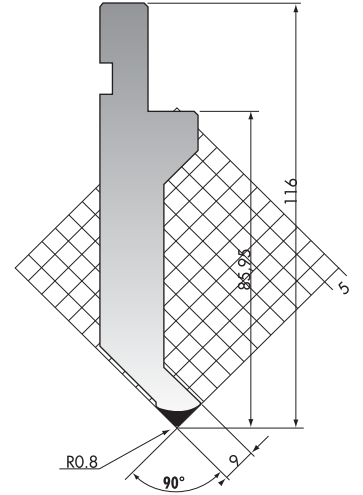
	H mm	R mm	max t/m
97-90-R08	66,35	0,8	100
97-90-R025	66,6	0,25	100

RKS-01-PK.114-90-R06-835



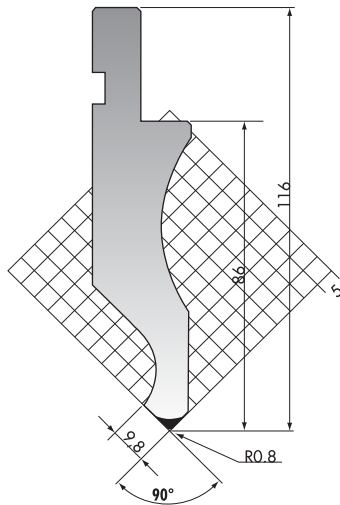
	max t/m
114-90-R06	20

RKS-01-PK.116-90-R08-835



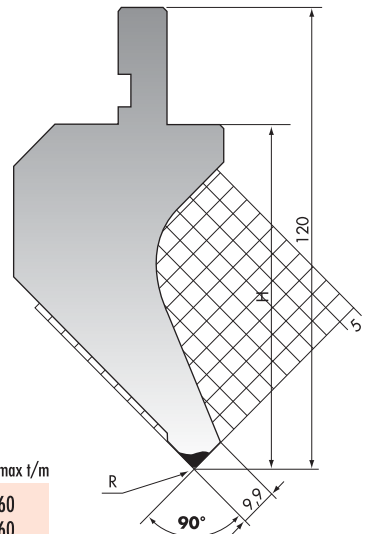
	max t/m
116-90-R08	40

RKS-01-DK.116-90-R08-835



	max t/m
116-90-R08	50

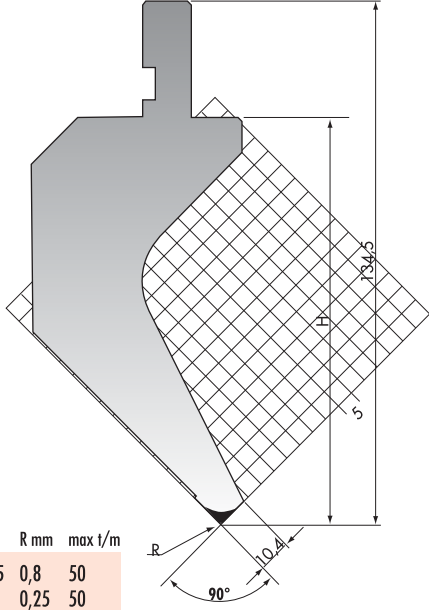
RKS-01-PK.120-90-(R08-R025)-835



	H mm	R mm	max t/m
120-90-R08	89,35	0,8	60
120-90-R025	89,6	0,25	60

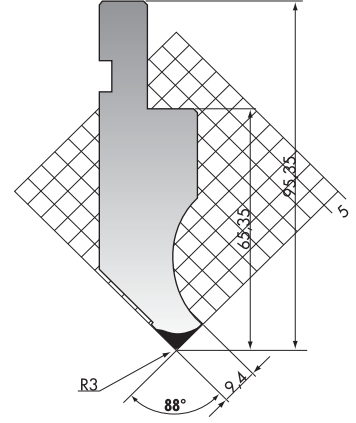
# PROMECAM-AMADA TYPE

## RKS-01-PK.135-90-(R08-R025)-835



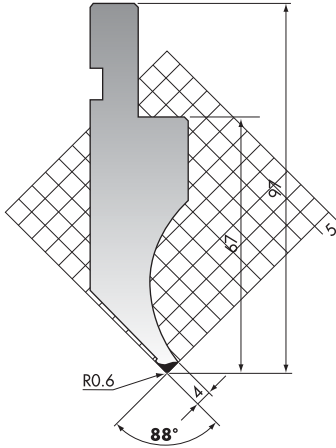
	H mm	R mm	max t/m
135-90-R08	104,35	0,8	50
135-90-R025	104,6	0,25	50

## RKS-01-P.95-88-R3-835



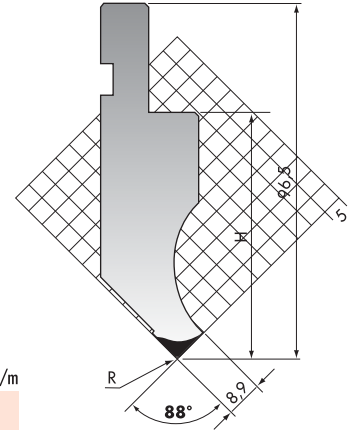
	max t/m
95-88-R3	100

## RKS-01-P.97-88-R06-835



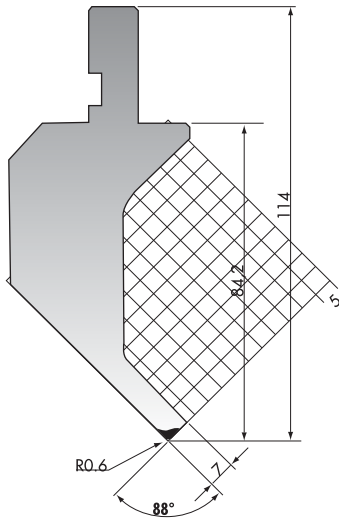
	R mm	max t/m
97-88-R06	0,6	35

## RKS-01-P.97-88-(R08-R025)-835



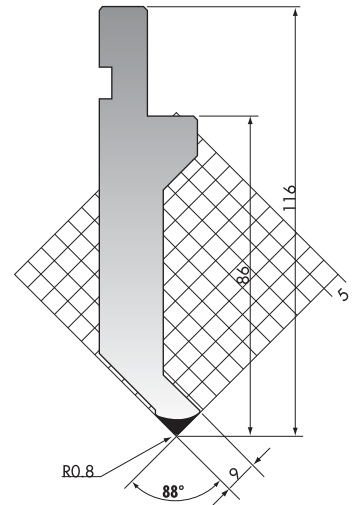
	H mm	R mm	max t/m
97-88-R08	66,65	0,8	100
97-88-R025	66,6	0,25	100

## RKS-01-P.114-88-R06-835



	max t/m
114-88-R06	20

## RKS-01-P.116-88-R08-835

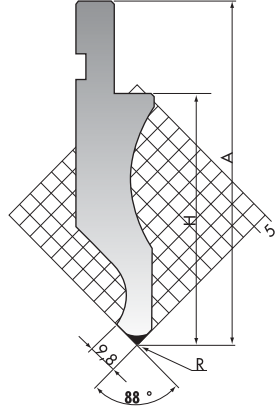


	max t/m
116-88-R08	40



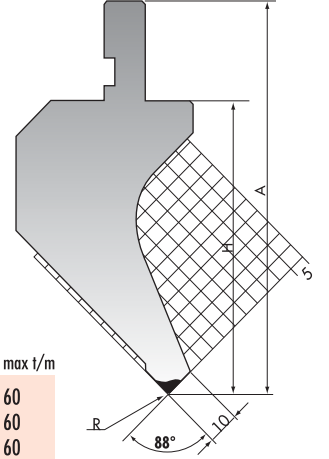
# PROMECAM-AMADA TYPE

## RKS-01-D.116-88-(R08-R3)-835



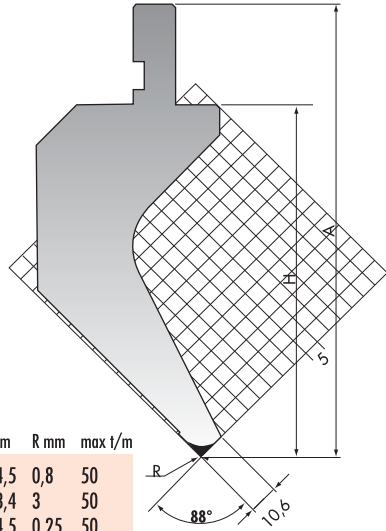
	H mm	A mm	R mm	max t/m
116-88-R08	86	116	0,8	50
116-88-R3	85	115	3	50

## RKS-01-P.120-88-(R08-R3-R025)-835



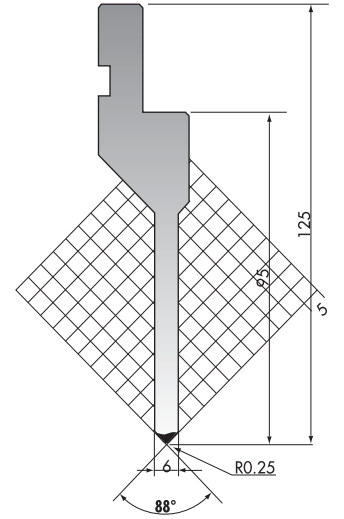
	H mm	A mm	R mm	max t/m
120-88-R08	89,65	120	0,8	60
120-88-R3	88,5	118,5	3	60
120-88-R025	89,6	120	0,25	60

## RKS-01-P.135-88-(R08-R3-R025)-835



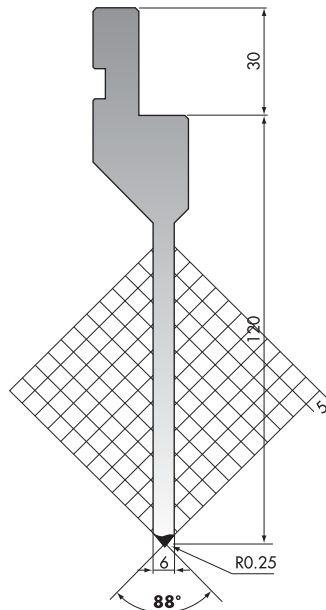
	H mm	A mm	R mm	max t/m
135-88-R08	104,65	134,5	0,8	50
135-88-R3	103,4	133,4	3	50
135-88-R025	104,6	134,5	0,25	50

## RKS-01-P.125-88-R025-835



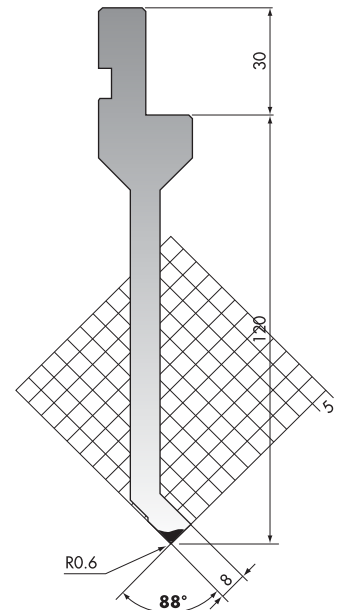
	max t/m
125-88-R025	50

## RKS-01-P.150.88.R025-L-900



	max t/m
150-88-R025-L	50

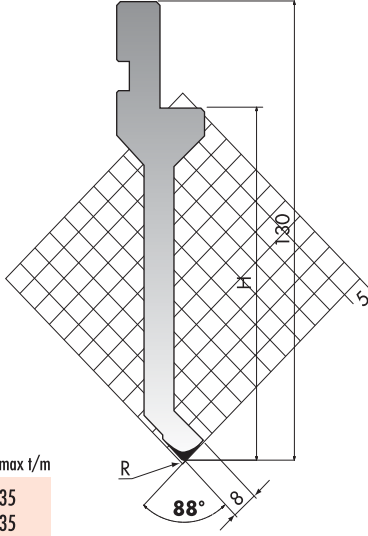
## RKS-01-P.150.88.R06-L-900



	max t/m
150-88-R06-L	35

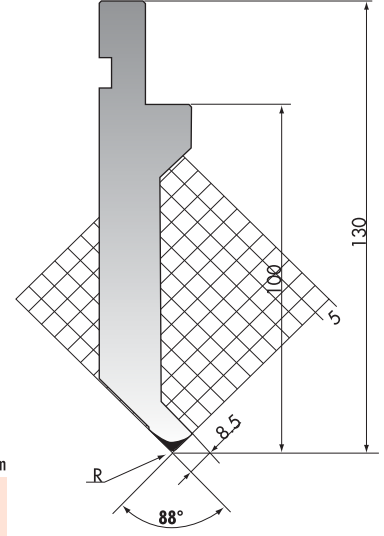
# PROMECAM-AMADA TYPE

## RKS-01-P.130-88-(R06-025)-835



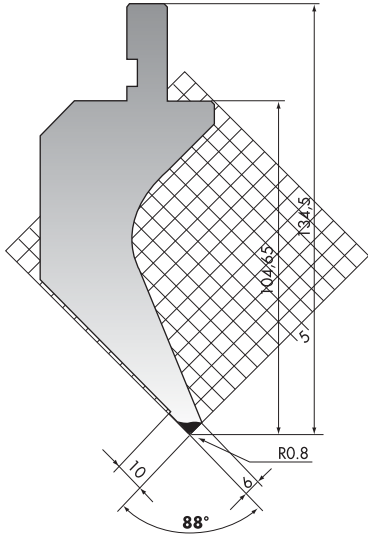
	R mm	H mm	max t/m
130-88-R06	0,6	100	35
130-88-R025	0,25	99,95	35

## RKS-01-P.130-88-(R08-R025)-835



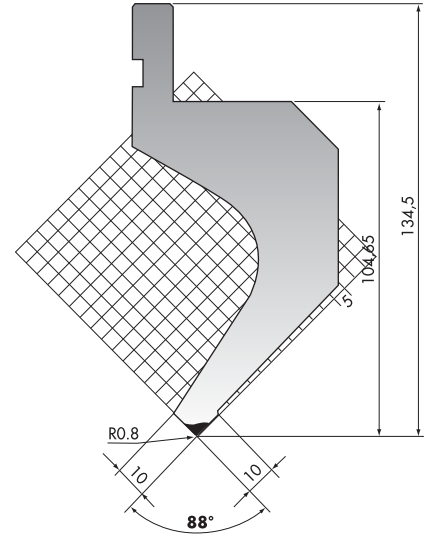
	R mm	max t/m
130-88-R08	0,8	40
130-88-R025	0,25	40

## RKS-01-PS.135-88-R08-835



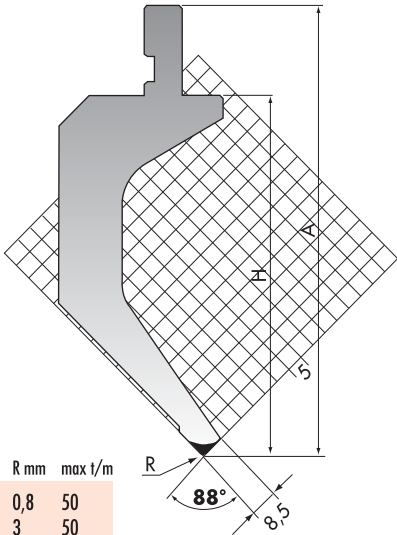
	max t/m
135-88-R08	45

## RKS-01-PR.135-88-R08-835



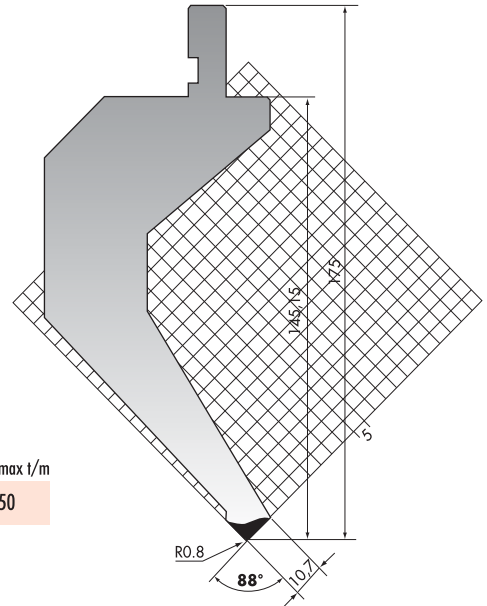
	max t/m
135-88-R08	45

## RKS-01-P.150-88-(R08-R3)-835



	H mm	A mm	R mm	max t/m
150-88-R08	120	150	0,8	50
150-88-R3	119	149	3	50

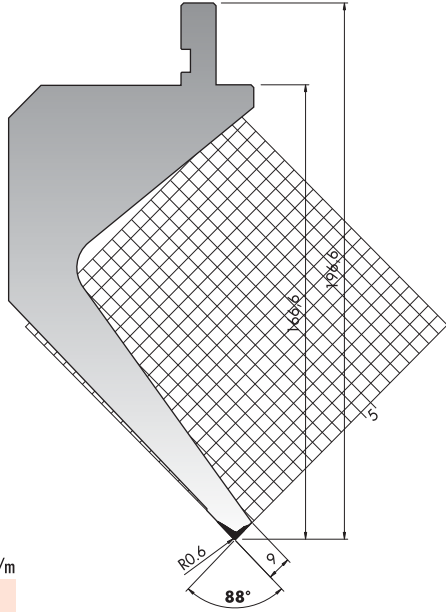
## RKS-01-P.175-88-R08-835



	max t/m
175-88-R08	50

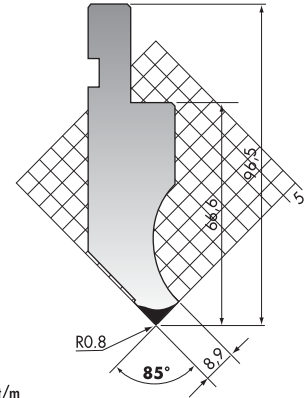
# PROMECAM-AMADA TYPE

RKS-01-P.196-88-R06-835



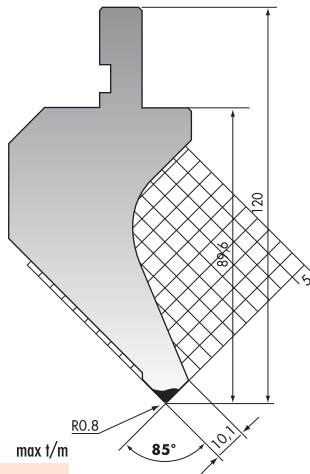
max t/m  
196-88-R06 30

RKS-01-P.97-85-R08-835



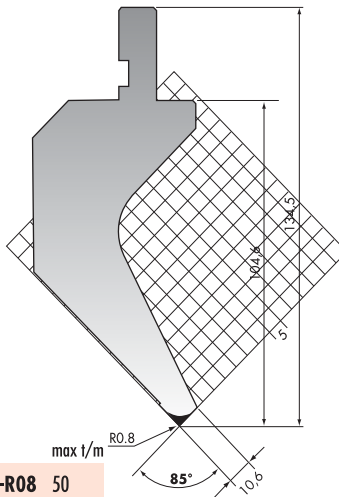
max t/m  
97-85-R08 100

RKS-01-PK.120-85-R08-835



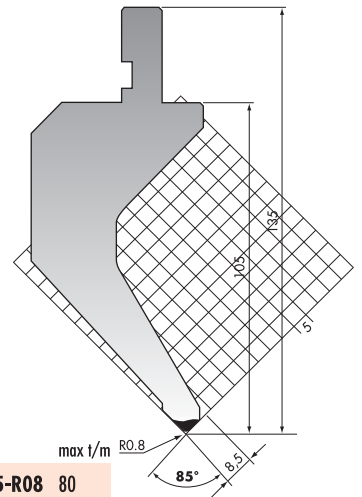
max t/m  
120-85-R08 60

RKS-01-PK.135-85-R08-835



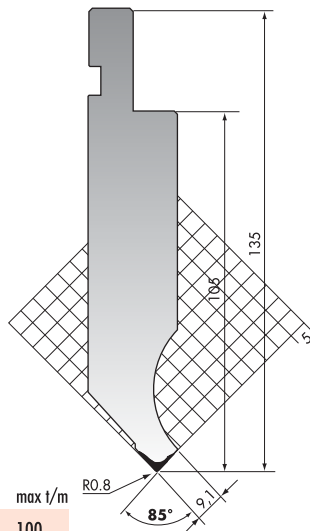
max t/m  
135-85-R08 50

RKS-01-P.135-85-R08-835



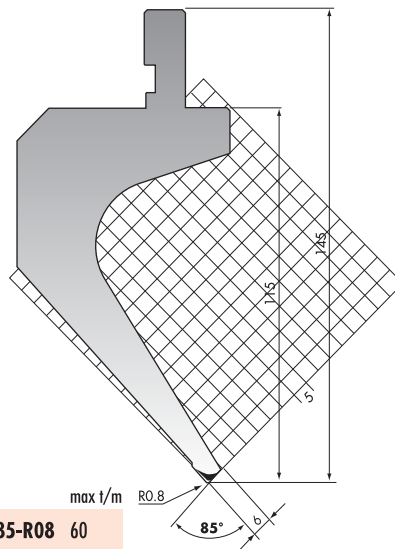
max t/m  
135-85-R08 80

RKS-01-PS.135-85-R08-835



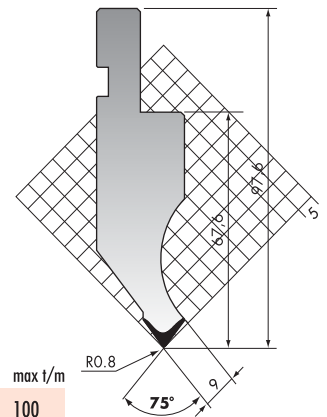
max t/m  
135-85-R08 100

RKS-01-P.145-85-R08-835



max t/m  
145-85-R08 60

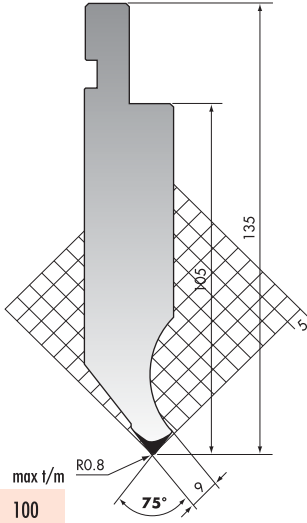
RKS-01-P.97-75-R08-835



max t/m  
97-75-R08 100

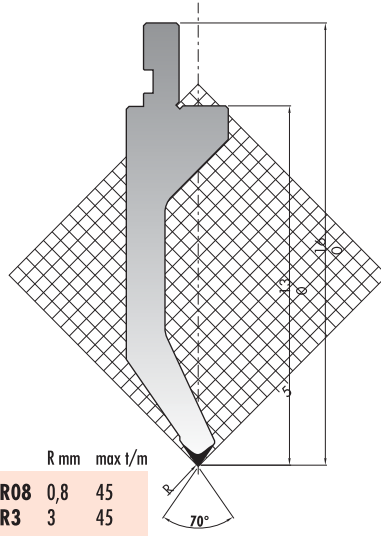
# PROMECAM-AMADA TYPE

RKS-01-P.135-75-R08-835



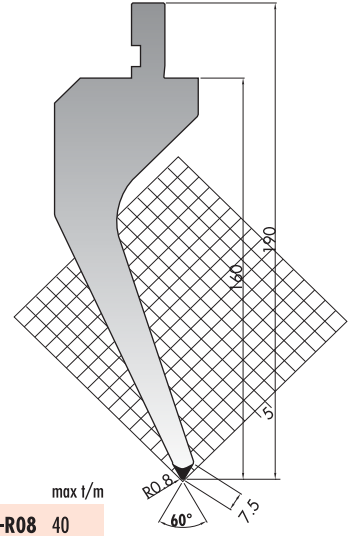
135-75-R08 100

RKS-01-P.160-70-(R08-R3)-835



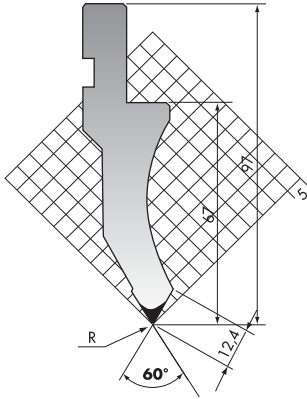
	R mm	max t/m
160-70-R08	0,8	45
160-70-R3	3	45

RKS-01-P.190-60-R08-835



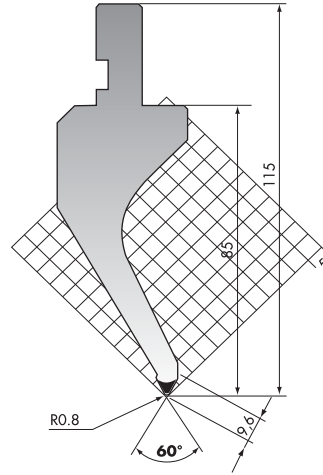
190-60-R08 40

RKS-01-P.97-60-(R08-R2)-835



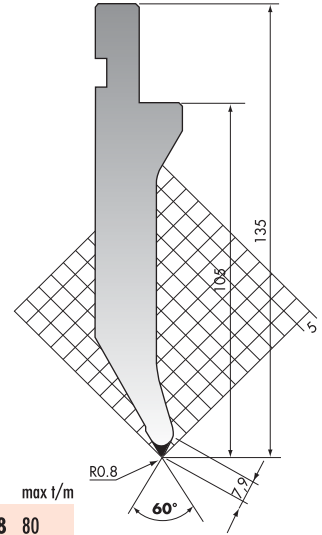
	R mm	max t/m
97-60-R08	0,8	60
97-60-R2	2	60

RKS-01-P.115-60-R08-835



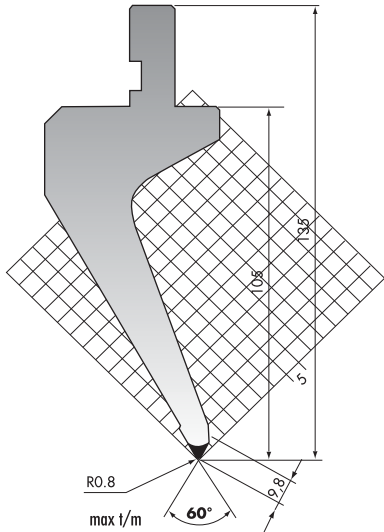
115-60-R08 40

RKS-01-P.135-60-R08-835



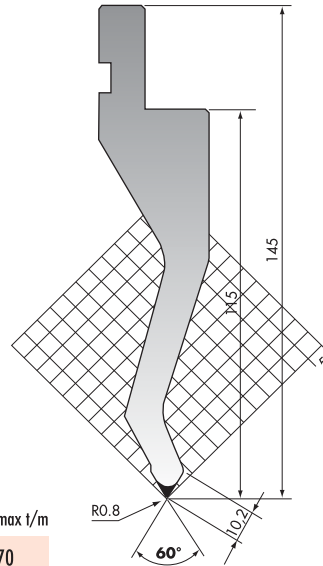
135-60-R08 80

RKS-01-PG.135-60-R08-835



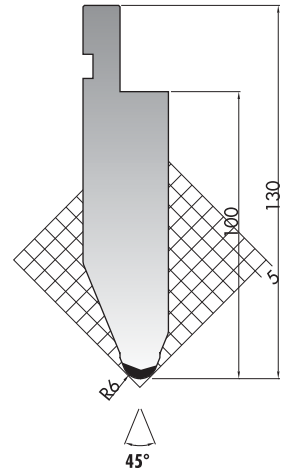
135-60-R08 70

RKS-01-P.145-60-R08-835



145-60-R08 70

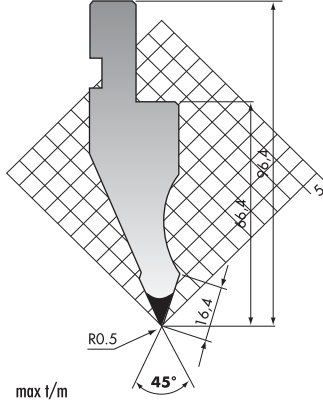
RKS-01-P.130-45-R6-835



130-45-R6 100

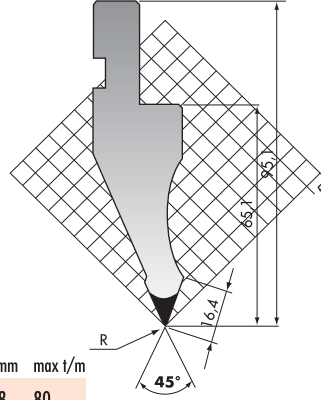
# PROMECAM-AMADA TYPE

RKS-01-P.97-45-R05-835



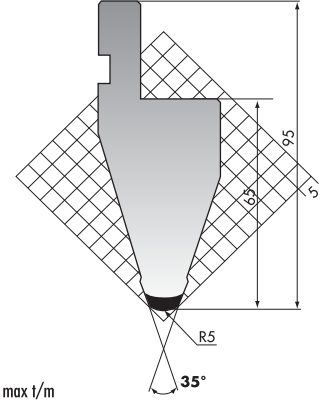
max t/m  
97-45-R05 80

RKS-01-P.95-45-(R08-R15)-835



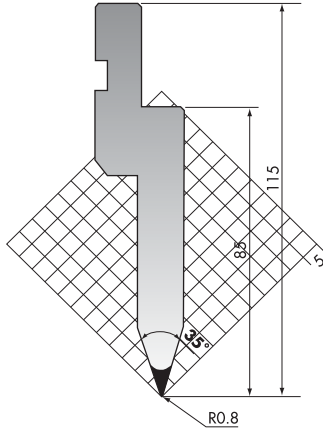
R mm	max t/m
95-45-R08	0,8 80
95-45-R15	1,5 80

RKS-01-P.95-35-R5-835



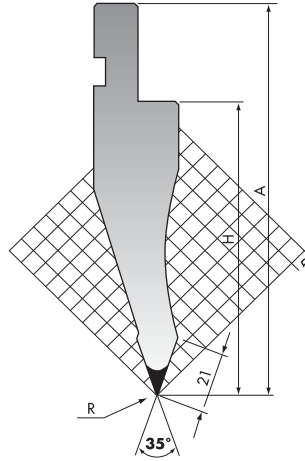
max t/m  
95-35-R5 100

RKS-01-PU.85-35-R08-835



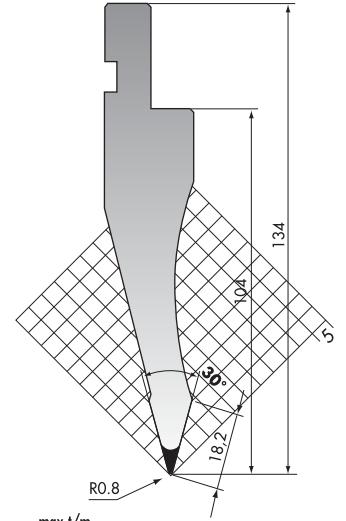
max t/m  
85-35-R08 100

RKS-01-P.116-35-(R08-R15)-835



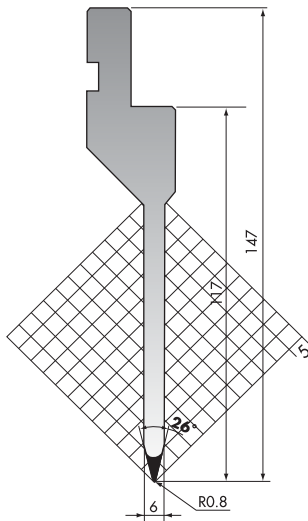
H mm	A mm	R mm	max t/m
116-35-R08	86	116	0,8 70
116-35-R15	86	116	1,5 70

RKS-01-PS.134-30-R08-835



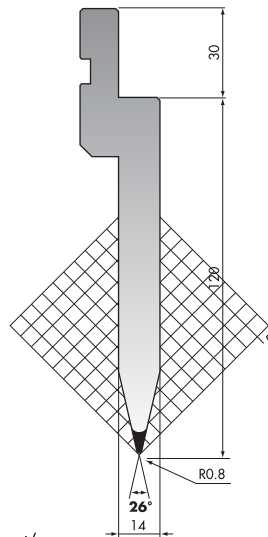
max t/m  
134-30-R08 70

RKS-01-P.147-26-R08-835



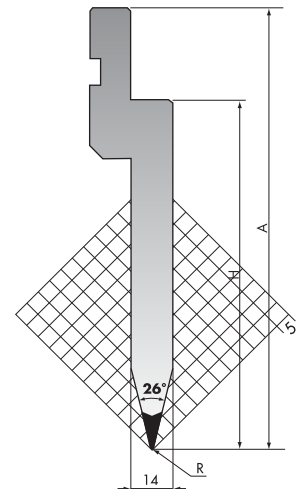
max t/m  
147-26-R08 50

RKS-01-PU.150-26-R08-L-900



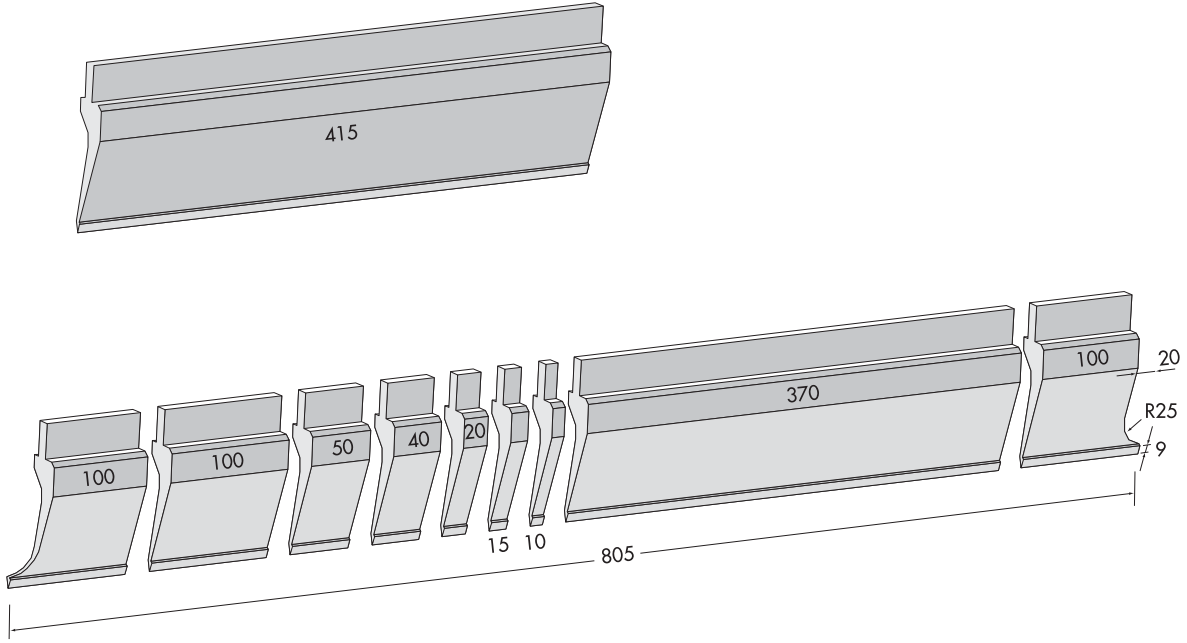
max t/m  
150-26-R08-L 100

RKS-01-PU.117-26-(R08-R3)-835



R mm	H mm	A mm	max t/m
117-26-R08	0,8	117	147 100
117-26-R3	3	109	139 100

# PROMECAM-AMADA TYPE



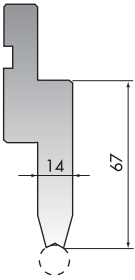
RKS-01-PU.67-14-S-830

RKS-01-C3 C7,5-835

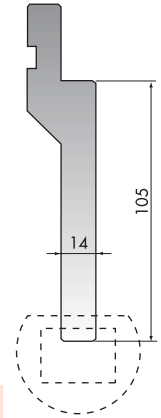
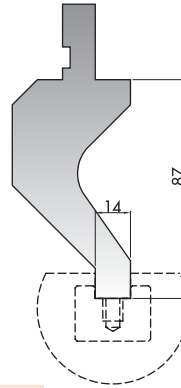
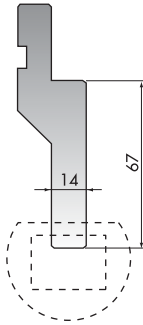
RKS-01-PU.67-14-830

RKS-01-PU.87-14-830

RKS-01-PU.105-14-830



M4	
R mm	R mm
3	3,5
3,5	4
4	4,5
4,5	5
5	5,5
5,5	6
6	6,5
6,5	7
7	7,5



67-14-S

67-14

87-14

105-14

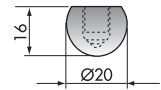
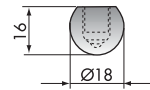
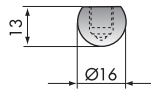
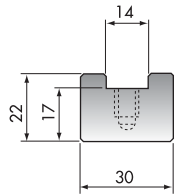
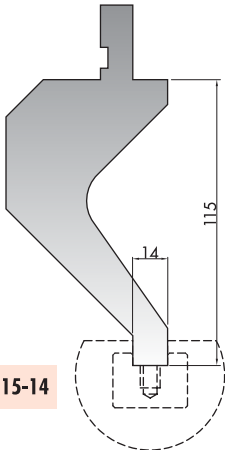
RKS-01-PU.115-14-830

RKS-E30-22-835

RKS-01-C13-08-835

RKS-01-C13-09-835

RKS-01-C16-10-835



max t/m  
30-22 80

max t/m  
13-08 80

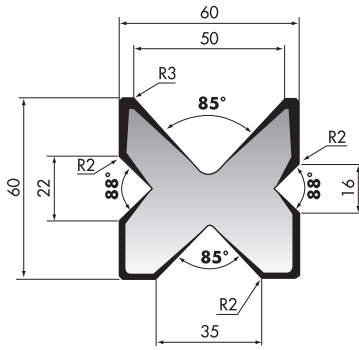
max t/m  
13-09 80

max t/m  
16-10 80

115-14

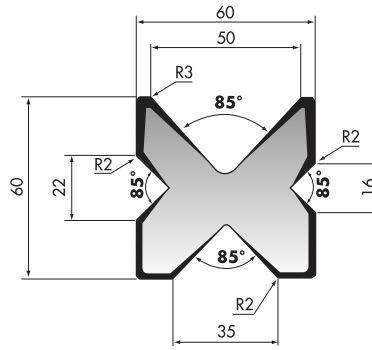
# PROMECAM-AMADA TYPE

RKS-01-M460-88-85-835



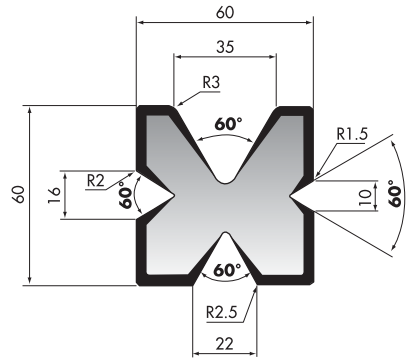
max t/m  
460 80

RKS-01-M460-R-85-835



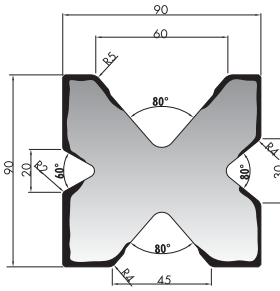
max t/m  
460-R 80

RKS-01-M460-60-835



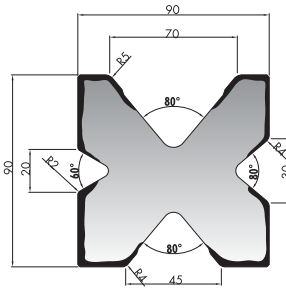
max t/m  
460-60 60

RKS-01-M490-80-60-835



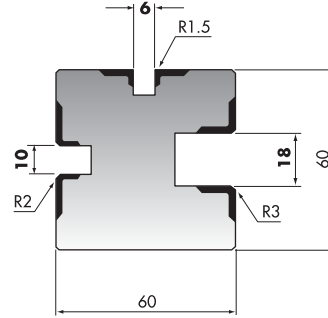
max t/m  
490 100

RKS-01-M490-70-80-60-835



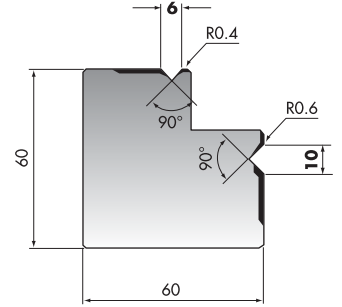
max t/m  
490-70 100

RKS-01-M360R-835

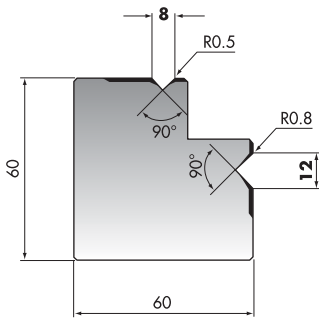


max t/m  
360R 100

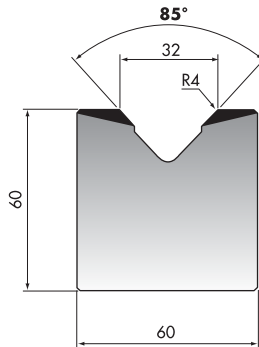
RKS-01-M60-90-01-835



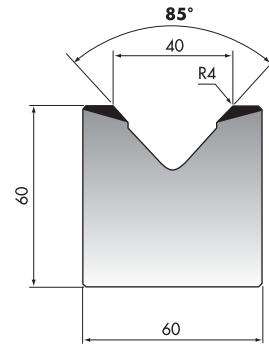
max t/m  
60-90-01 100



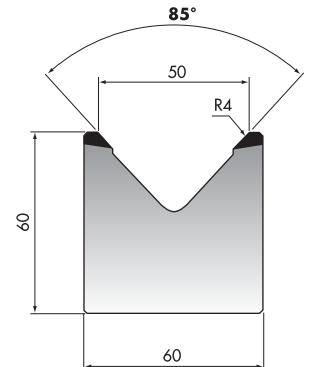
max t/m  
60-90-02 80



max t/m  
60-85-32 100



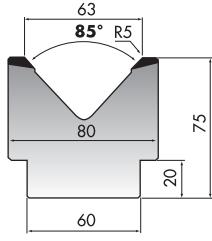
max t/m  
60-85-40 100



max t/m  
60-85-50 100

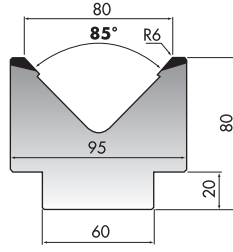
# PROMECAM-AMADA TYPE

RKS-01-M75-85-63-835



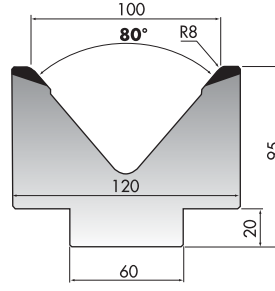
max t/m  
75-85-63 100

RKS-01-M80-85-80-835



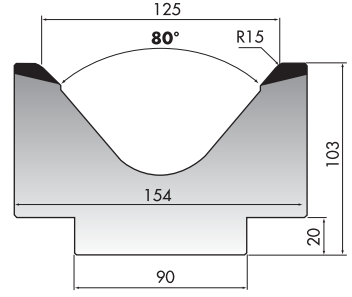
max t/m  
80-85-80 100

RKS-01-M95-80-100-835



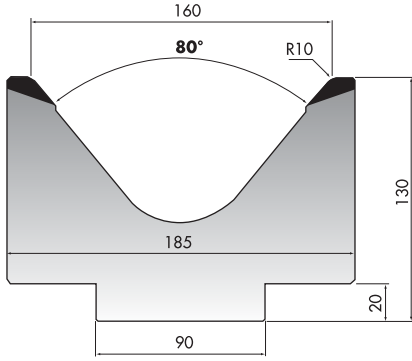
max t/m  
95-80-100 100

RKS-01-M103-80-125-835



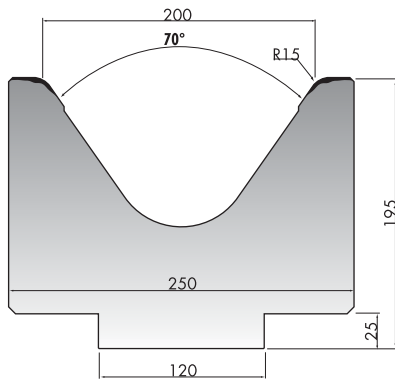
max t/m  
103-80-125 100

RKS-01-M130-80-160-835



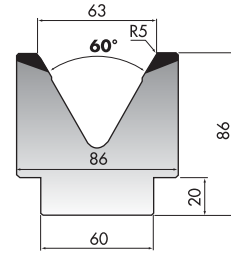
max t/m  
130-80-160 100

RKS-01-M195-70-200-415



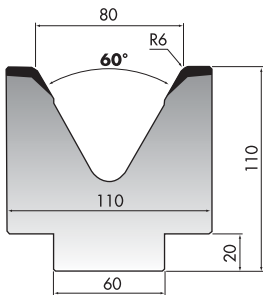
max t/m  
195-70-200 180

RKS-01-M86-60-63-835



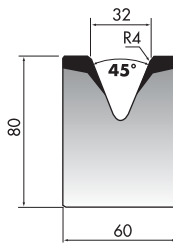
max t/m  
86-60-63 100

RKS-01-M110-60-80-835



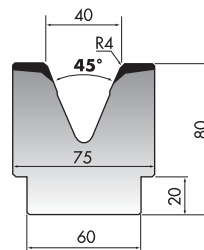
max t/m  
110-60-80 100

RKS-01-M80-45-32-835



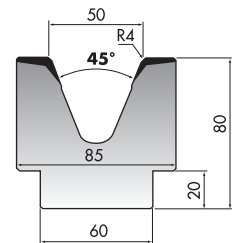
max t/m  
80-45-32 100

RKS-01-M80-45-40-835



max t/m  
80-45-40 100

RKS-01-M80-45-50-835



max t/m  
80-45-50 95

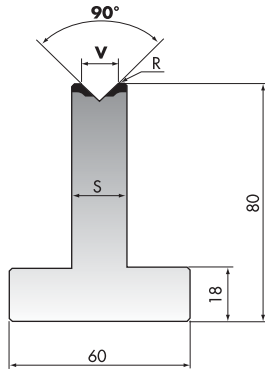


# PROMECAM-AMADA TYPE

## RKS-01-T80-(06-08-10-12)-90-835

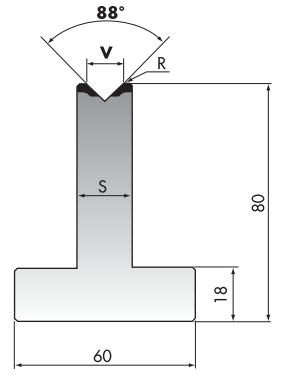
	V mm	R mm	S mm	max t/m
<b>06-90</b>	6	0,4	14	100
<b>08-90</b>	8	0,5	14	100

	V mm	R mm	S mm	max t/m
<b>10-90</b>	10	0,6	18	100
<b>12-90</b>	12	0,8	18	100



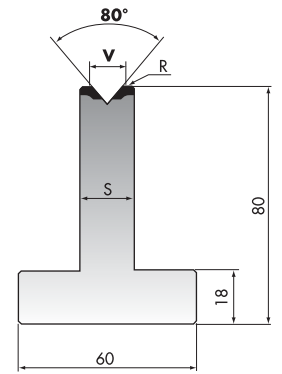
## RKS-01-T80-(06-08-10-12-16-20-25)-835

	V mm	R mm	S mm	max t/m
<b>06-88</b>	6	0,4	14	100
<b>08-88</b>	8	0,5	14	100
<b>10-88</b>	10	0,8	18	100
<b>12-88</b>	12	2,75	18	100
<b>16-88</b>	16	2,75	24	100
<b>20-88</b>	20	3	30	100
<b>25-88</b>	25	3	35	100



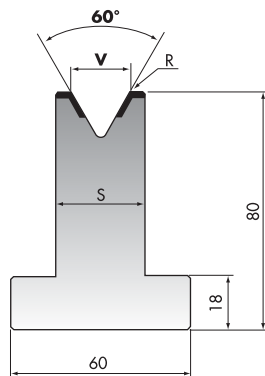
## RKS-01-T80-(06-08-10-12-16-20-25)-80-835

	V mm	R mm	S mm	max t/m
<b>06-80</b>	6	2,75	14	95
<b>08-80</b>	8	2,75	14	95
<b>10-80</b>	10	2,75	18	95
<b>12-80</b>	12	2,75	18	95
<b>16-80</b>	16	2,75	24	95
<b>20-80</b>	20	3	30	95
<b>25-80</b>	25	3	35	95



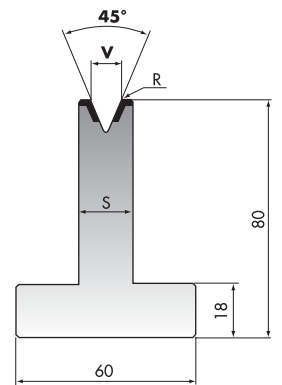
## RKS-01-80-(06-08-10-12-16-20-25)-60-835

	V mm	R mm	S mm	max t/m
<b>06-60</b>	6	0,5	14	60
<b>08-60</b>	8	0,8	14	60
<b>10-60</b>	10	0,8	18	60
<b>12-60</b>	12	0,8	18	60
<b>16-60</b>	16	2,75	24	60
<b>20-60</b>	20	3	30	60
<b>25-60</b>	25	3	35	60



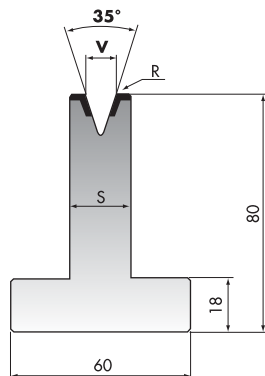
## RKS-01-T80-(06-08-10-12-16-20-25)-45-835

	V mm	R mm	S mm	max t/m
<b>06-45</b>	6	0,8	14	50
<b>08-45</b>	8	1	18	50
<b>10-45</b>	10	1,2	18	50
<b>12-45</b>	12	1,6	24	50
<b>16-45</b>	16	2,75	26	50
<b>20-45</b>	20	3	30	50
<b>25-45</b>	25	3	37	50



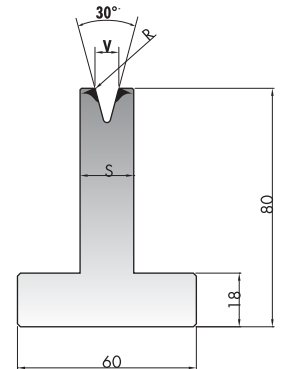
## RKS-01-T80-(06-08-10-12-16-20-25)-35-835

	V mm	R mm	S mm	max t/m
<b>06-35</b>	6	0,8	14	35
<b>08-35</b>	8	1	16	35
<b>10-35</b>	10	1,2	20	40
<b>12-35</b>	12	1,6	22	40
<b>16-35</b>	16	3	30	45
<b>20-35</b>	20	3	35	50
<b>25-35</b>	25	3	40	50



## RKS-01-T80-(06-08-10-12-16-20-25)-30-835

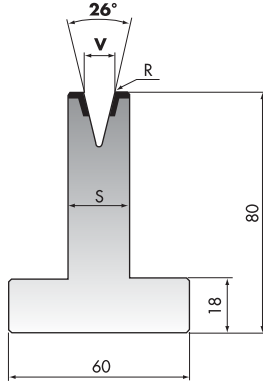
	V mm	R mm	S mm	max t/m
<b>06-30</b>	6	0,6	14	35
<b>08-30</b>	8	0,8	18	35
<b>10-30</b>	10	1	24	50
<b>12-30</b>	12	1,5	24	40
<b>16-30</b>	16	2	30	45
<b>20-30</b>	20	2,5	35	50
<b>25-30</b>	25	3	40	50



# PROMECAM-AMADA TYPE

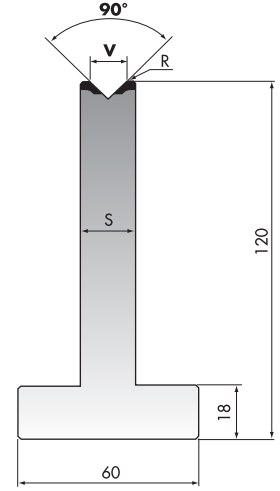
## RKS-01-T80-(06-08-10-12)-26-835

	V mm	R mm	S mm	max t/m
06-26	6	0,8	16	20
08-26	8	1	20	20
10-26	10	1,2	24	20
12-26	12	1,6	26	20



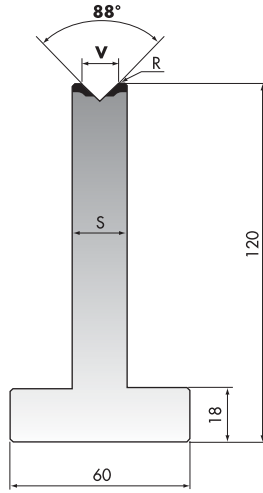
## RKS-01-T120-(06-08-10-12)-90-835

	V mm	R mm	S mm	max t/m
06-90	6	0,4	14	100
08-90	8	0,5	14	100
10-90	10	0,6	18	100
12-90	12	0,8	18	100



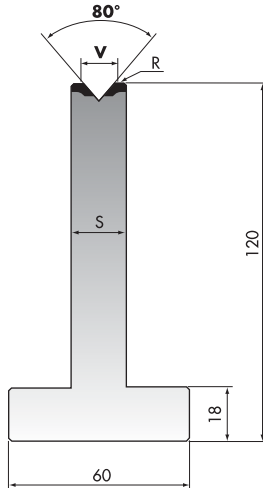
## RKS-01-T120-(06-08-10-12-16-20-25)-88-835

	V mm	R mm	S mm	max t/m
06-88	6	0,4	14	100
08-88	8	0,5	14	100
10-88	10	0,8	18	100
12-88	12	2,75	18	100
16-88	16	2,75	24	100
20-88	20	3	30	100
25-88	25	3	35	100



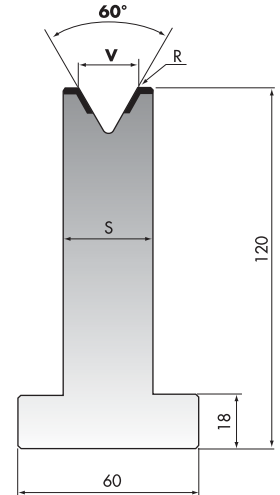
## RKS-01-120-(06-08-10-12-16-20-25)-80-835

	V mm	R mm	S mm	max t/m
06-80	6	2,75	14	95
08-80	8	2,75	14	95
10-80	10	2,75	18	95
12-80	12	2,75	18	95
16-80	16	2,75	24	95
20-80	20	3	30	95
25-80	25	3	35	95



## RKS-01-T120-(06-08-10-12-16-20-25)-60-835

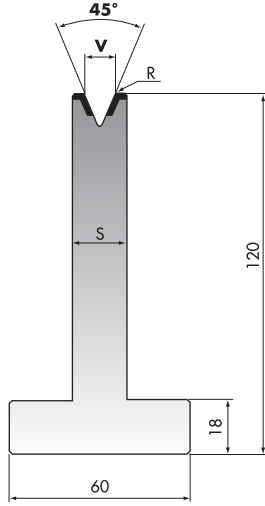
	V mm	R mm	S mm	max t/m
06-60	6	0,5	14	60
08-60	8	0,8	14	60
10-60	10	0,8	18	60
12-60	12	0,8	18	60
16-60	16	2,75	24	60
20-60	20	3	30	60
25-60	25	3	35	60



# PROMECAM-AMADA TYPE

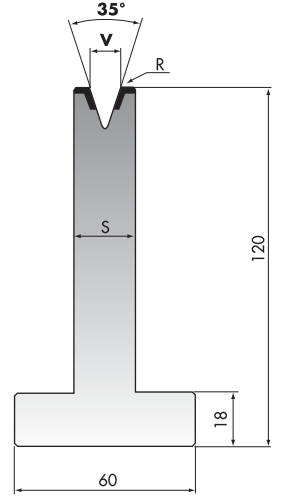
RKS-01-T120-(06-08-10-12-16-20-25)45-835

	V mm	R mm	S mm	max t/m
06-45	6	0,8	14	50
08-45	8	1	18	50
10-45	10	1,2	18	50
12-45	12	1,6	24	50
16-45	16	2,75	26	50
20-45	20	3	30	50
25-45	25	3	37	50



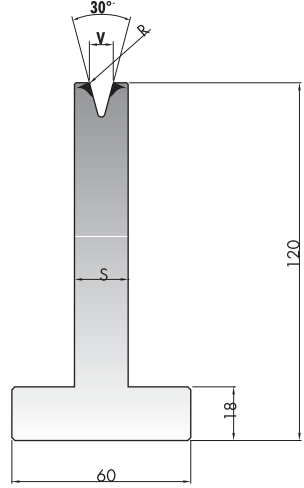
RKS-01-T120-(06-08-10-12-16-20-25)-35-835

	V mm	R mm	S mm	max t/m
06-35	6	0,8	14	35
08-35	8	1	16	35
10-35	10	1,2	20	40
12-35	12	1,6	22	40
16-35	16	3	30	45
20-35	20	3	35	50
25-35	25	3	40	50



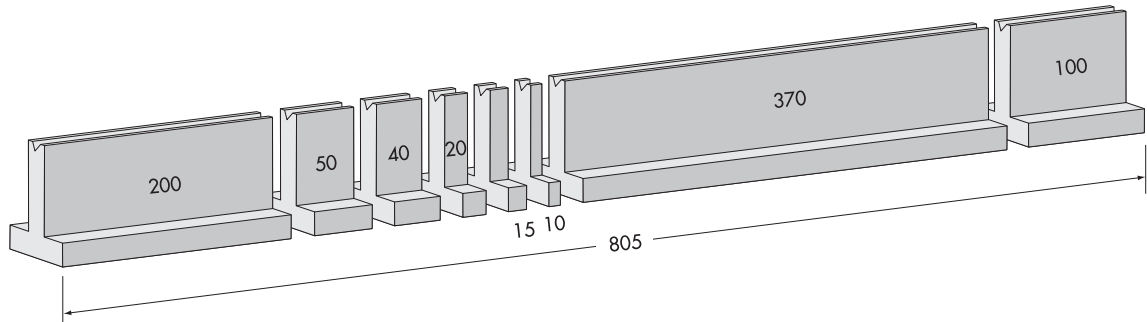
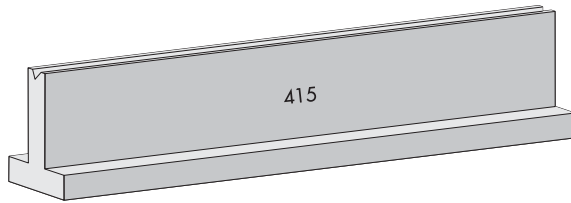
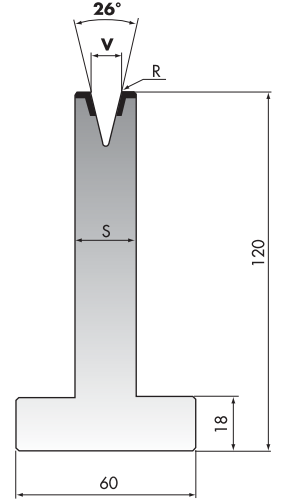
RKS-01-T120-(06-08-10-12-16-20-25)-30-835

	V mm	R mm	S mm	max t/m
06-30	6	0,6	14	35
08-30	8	0,8	18	35
10-30	10	1	24	50
12-30	12	1,5	24	40
16-30	16	2	30	45
20-30	20	2,5	35	50
25-30	25	3	40	50



RKS-01-T120-(06-08-10-12)-26-835

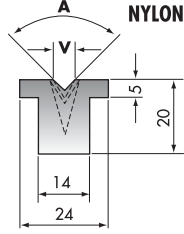
	V mm	R mm	S mm	max t/m
06-26	6	0,8	16	20
08-26	8	1	20	20
10-26	10	1,2	24	20
12-26	12	1,6	26	20



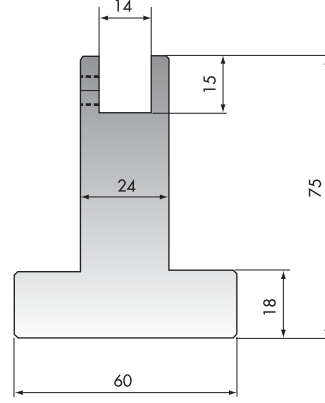
# PROMECAM-AMADA TYPE

RKS-01-TN80-14 INS14-(06-08-10)-88/(06-08-10)-60/(06-08-10)-60/(06-08-10)-45/(06-08)-30-835

	A°	V mm
06-88	88	6
08-88	88	8
10-88	88	10
06-60	60	6
08-60	60	8
10-60	60	10
06-45	45	6
08-45	45	8
10-45	45	10
06-30	30	6
08-30	30	8



RKS-01-INS14

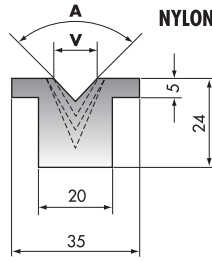


RKS-01-TN80-14

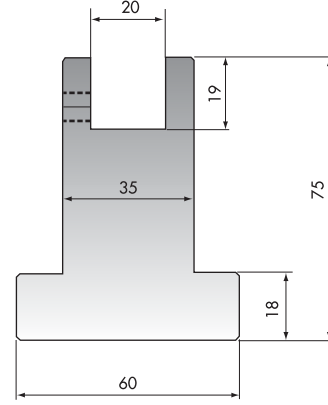
RKS-01-TN80-20 INS20-(06-08-10-12-16)-88/(06-08-10-12-16)-60/(06-08-10-12)-45/(06-08-10)-30-835

	A°	V mm
06-88	88	6
08-88	88	8
10-88	88	10
12-88	88	12
16-88	88	16
06-60	60	6
08-60	60	8
10-60	60	10
12-60	60	12
16-60	60	16

	A°	V mm
06-45	45	6
08-45	45	8
10-45	45	10
12-45	45	12
06-30	30	6
08-30	30	8
10-30	30	10



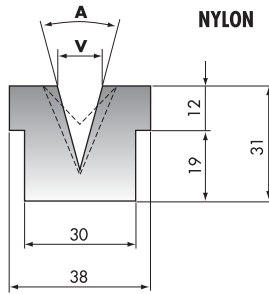
RKS-01-INS20



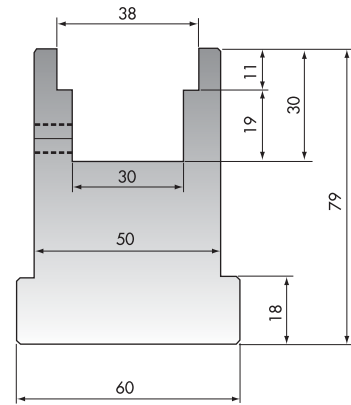
RKS-01-TN80-20

RKS-01-TN80-30 INS30-(06-08-10)-88/(06-08-10)-60/(06-08-10)-45/(06-08)-30-835

	A°	V mm
06-88	88	6
08-88	88	8
10-88	88	10
06-60	60	6
08-60	60	8
10-60	60	10
06-45	45	6
08-45	45	8
10-45	45	10
06-30	30	6
08-30	30	8



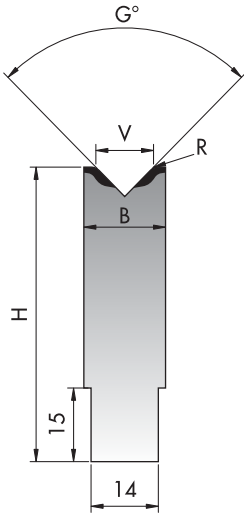
RKS-01-INS30



RKS-01-TN80-30

# PROMECAM-AMADA TYPE

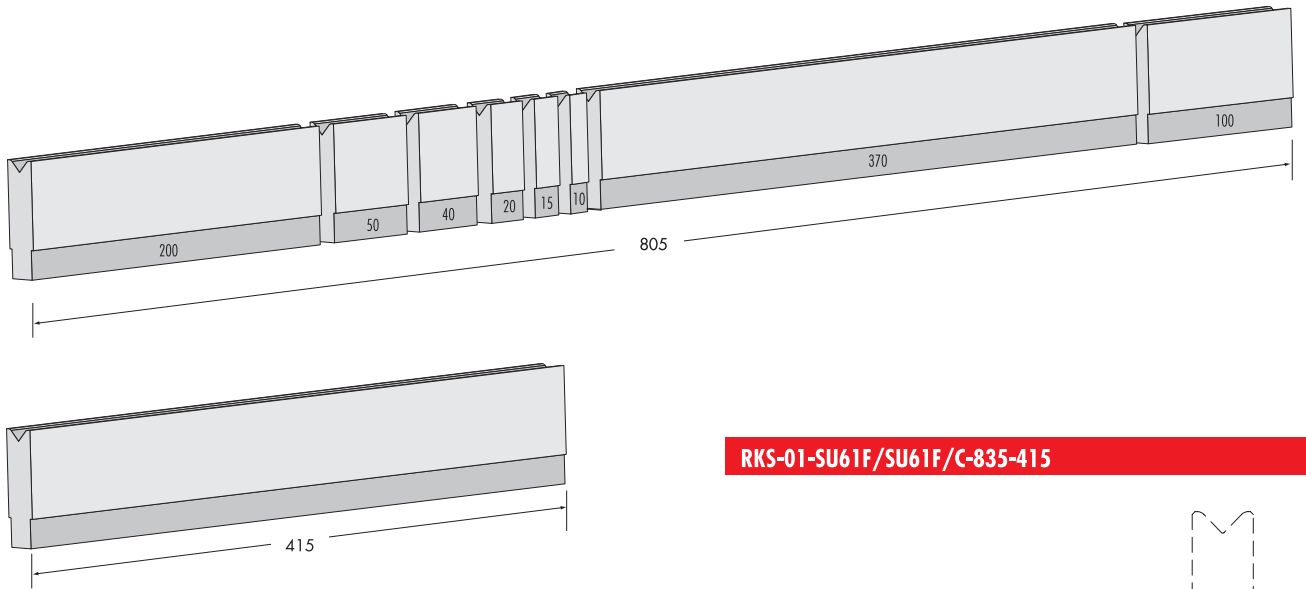
RKS-01-AMR60-(04-06-08-10-12-16-20-25)-88/(06-08-10-12-16-20)-30/AMR65-(25)-30-835



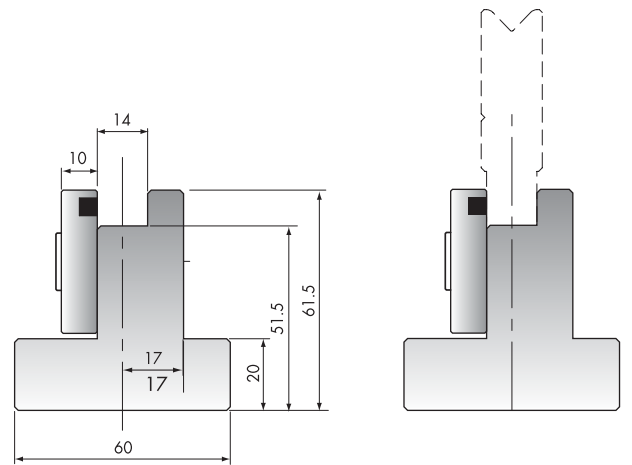
	V mm	G°	H mm	R mm	B mm	max t/m
<b>04-88</b>	4	88	60	0,6	14	100
<b>06-88</b>	6	88	60	0,8	14	100
<b>08-88</b>	8	88	60	1,0	14	100
<b>10-88</b>	10	88	60	1,2	18	100
<b>12-88</b>	12	88	60	1,5	18	100
<b>16-88</b>	16	88	60	2,0	24	100
<b>20-88</b>	20	88	60	2,0	30	100
<b>25-88</b>	25	88	60	3,0	35	100

<b>06-30</b>	6	30	60	0,6	14	35
<b>08-30</b>	8	30	60	0,8	18	35
<b>10-30</b>	10	30	60	1,0	24	50
<b>12-30</b>	12	30	60	1,5	24	40
<b>16-30</b>	16	30	60	2,0	30	45
<b>20-30</b>	20	30	60	2,5	35	50
<b>25-30</b>	25	30	65	3,0	45	50

RKS-01-AMR



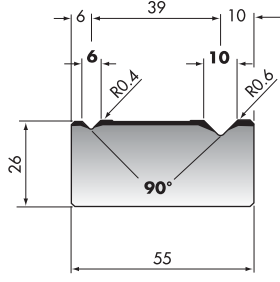
RKS-01-SU61F/SU61F/C-835-415



	max t/m
<b>SU61F</b>	100
<b>SU61F/C</b>	100

# PROMECAM-AMADA TYPE

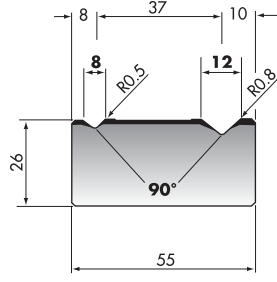
RKS-01-M26-90-01-835



max t/m

26-90-01 100

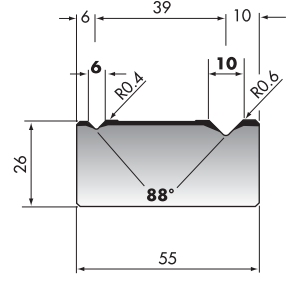
RKS-01-M26-90-02-835



max t/m

26-90-02 100

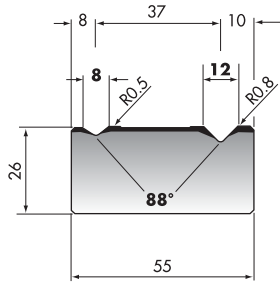
RKS-01-M26-88-01-835



max t/m

26-88-01 100

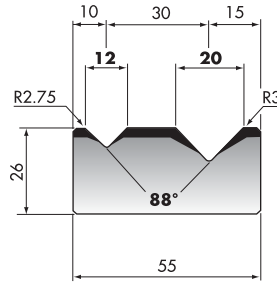
RKS-01-M26-88-02-835



max t/m

26-88-02 100

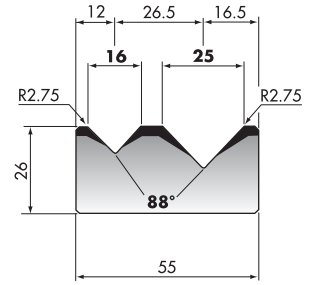
RKS-01-M26-88-03-835



max t/m

26-88-03 100

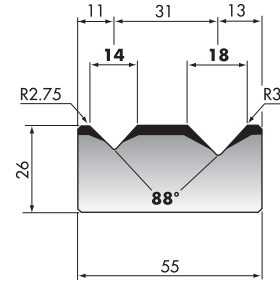
RKS-01-M26-88-04-835



max t/m

26-88-04 100

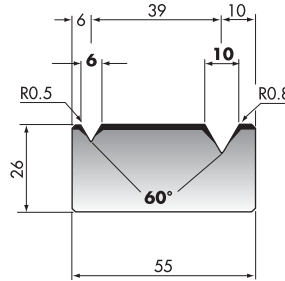
RKS-01-M26-88-05-835



max t/m

26-88-05 100

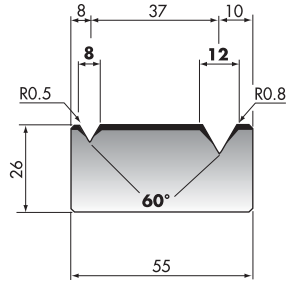
RKS-01-M26-60-01-835



max t/m

26-60-01 60

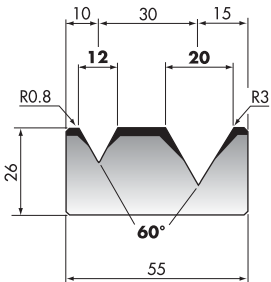
RKS-01-M26-60-02-835



max t/m

26-60-02 80

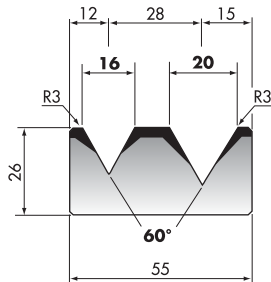
RKS-01-M26-60-03-835



max t/m

26-60-03 80

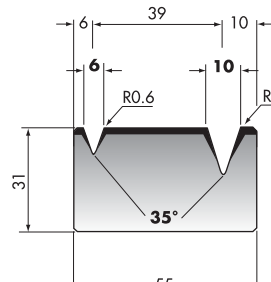
RKS-01-M26-60-05-835



max t/m

26-60-05 80

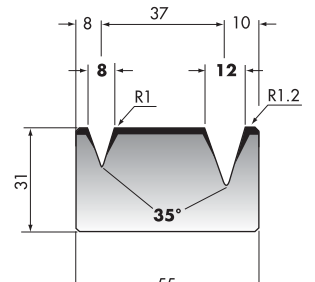
RKS-01-M31-35-01-835



max t/m

31-35-01 30

RKS-01-M31-35-02-835

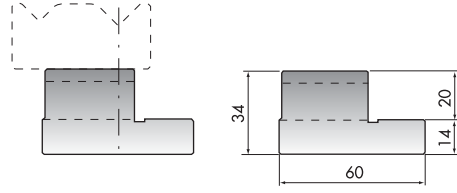


max t/m

31-35-02 30

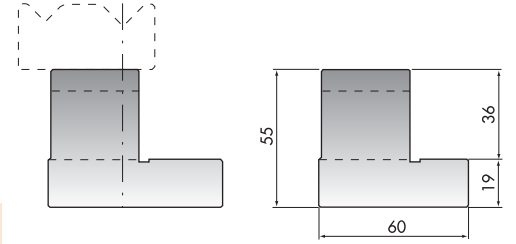
# PROMECAM-AMADA TYPE

RKS-01-SU034-830



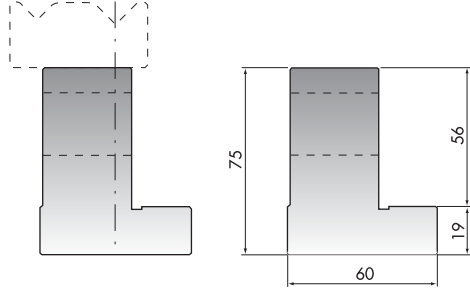
34

RKS-01-SU055-830



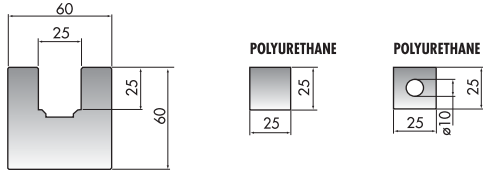
55

RKS-01-SU075-830



75

RKS-01-MPG25-835

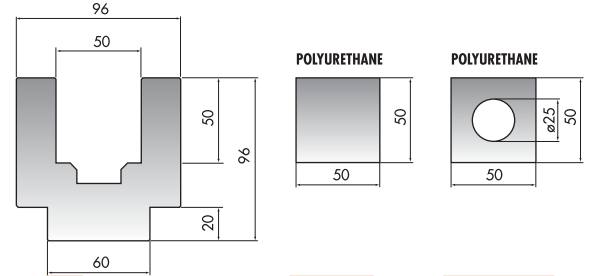


25

25x25

25x25x10

RKS-01-MPG50-835

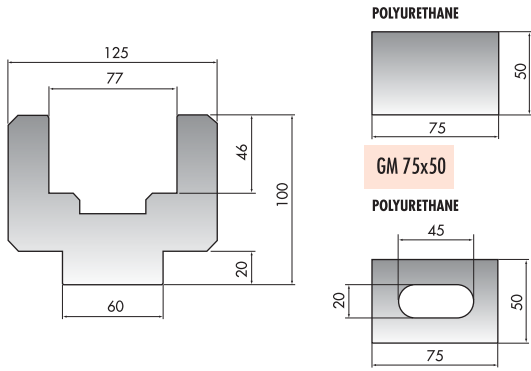


50

GM 50x50

GM 50x50x25

RKS-01-MPG75-835

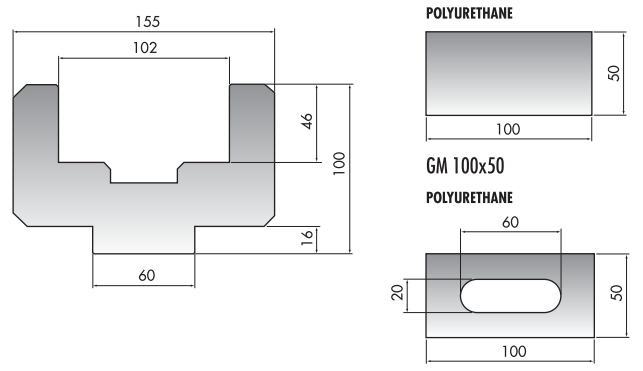


75

GM 75x50

GM 75x50x20

RKS-01-MPG100-835



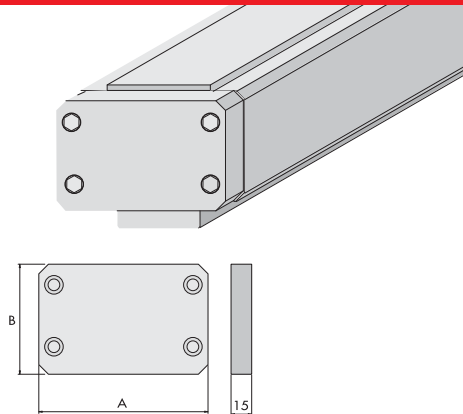
100

GM 100x50

GM 100x50x20

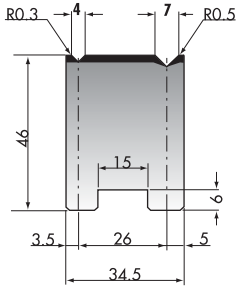
RKS-01-PSTCON

	A	B
25	(2) 58	58
50	(2) 108	75
75	(2) 123	80
100	(2) 153	80



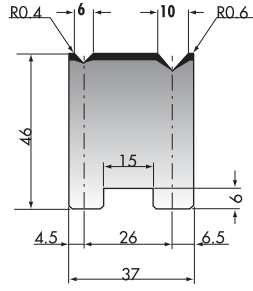
# PROMECAM-AMADA TYPE

RKS-01-46-10-90-835



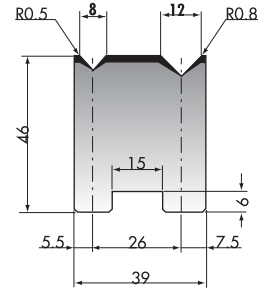
max t/m  
01-46-10 80

RKS-01-46-11-90-835



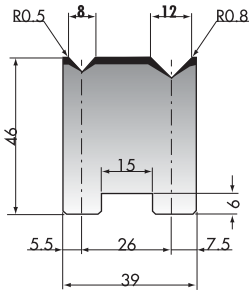
max t/m  
01-46-11 80

RKS-01-46-12-90-835



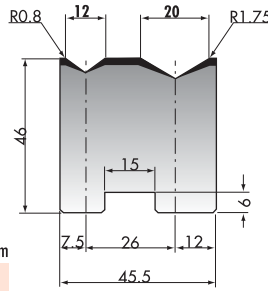
max t/m  
01-46-12 80

RKS-01-46-13-88-835



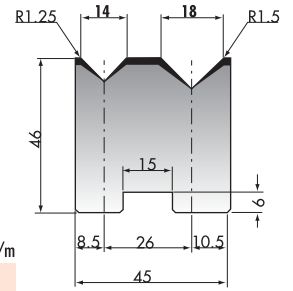
max t/m  
01-46-13 80

RKS-01-46-14-88-835



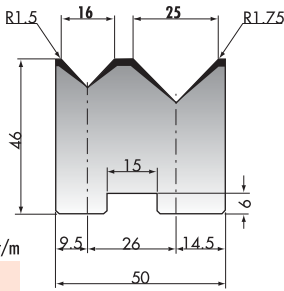
max t/m  
01-46-14 80

RKS-01-46-15-88-835



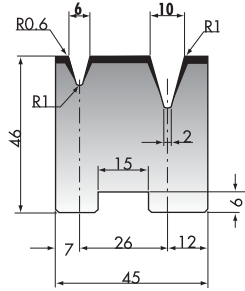
max t/m  
01-46-15 80

RKS-01-46-16-88-835



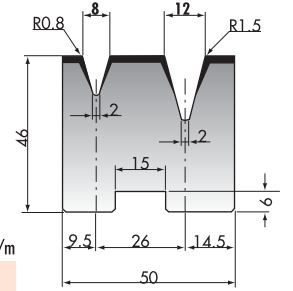
max t/m  
01-46-16 80

RKS-01-46-17-30-835



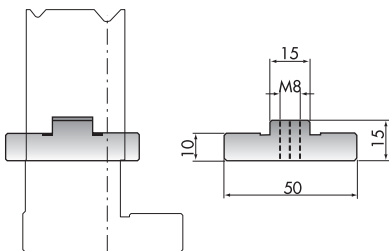
max t/m  
01-46-17 40

RKS-01-46-18-30-835



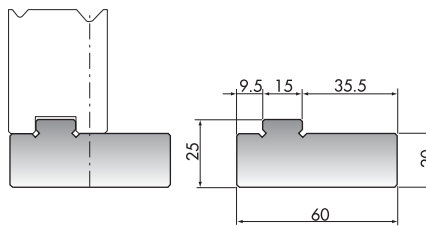
max t/m  
01-46-18 40

RKS-01-PM50-835



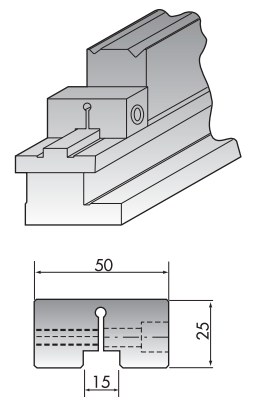
01-50

RKS-01-PM60-835



01-60

RKS-01-PB60

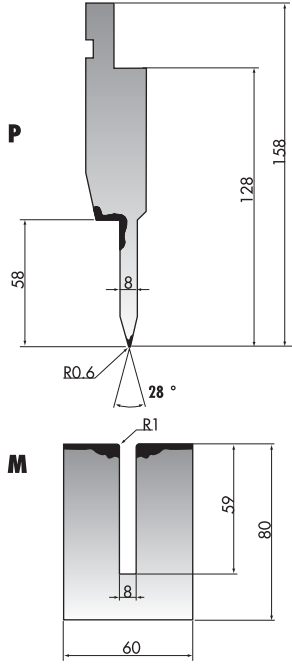


01-60 (2)



# PROMECAM-AMADA TYPE

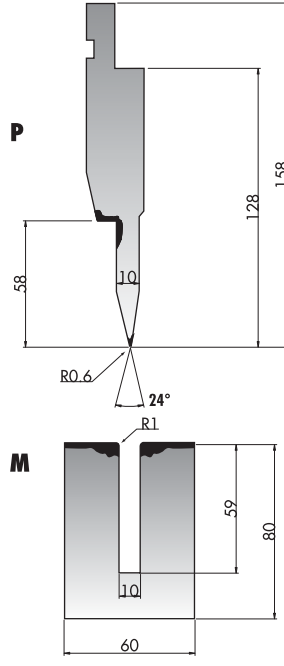
RKS-01 (P+M)-28-525



max t/m

RKS-01-134.28.8	A	B
P-134.28.8	80	100
M-134.28.8	50	100

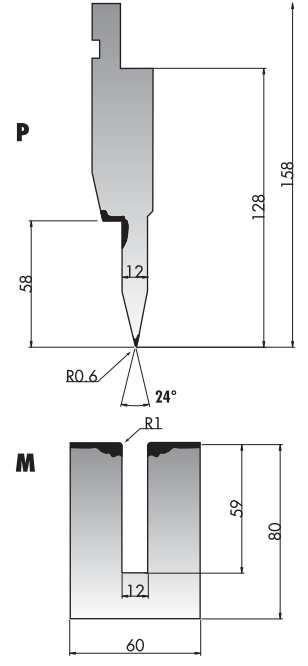
RKS-01 (P+M)-24-525



max t/m

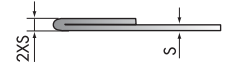
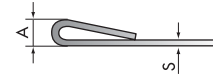
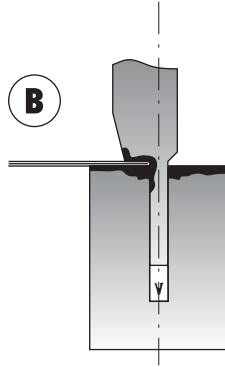
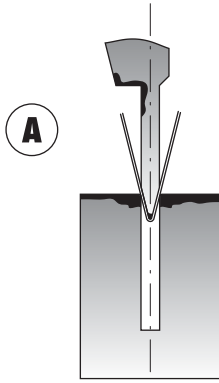
RKS-01-134.24.10	A	B
P-134.24.10	80	100
M-134.24.10	50	100

RKS-01 (P+M)-24-525



max t/m

RKS-01-134.24.12	A	B
P-134.24.12	80	100
M-134.24.12	50	100



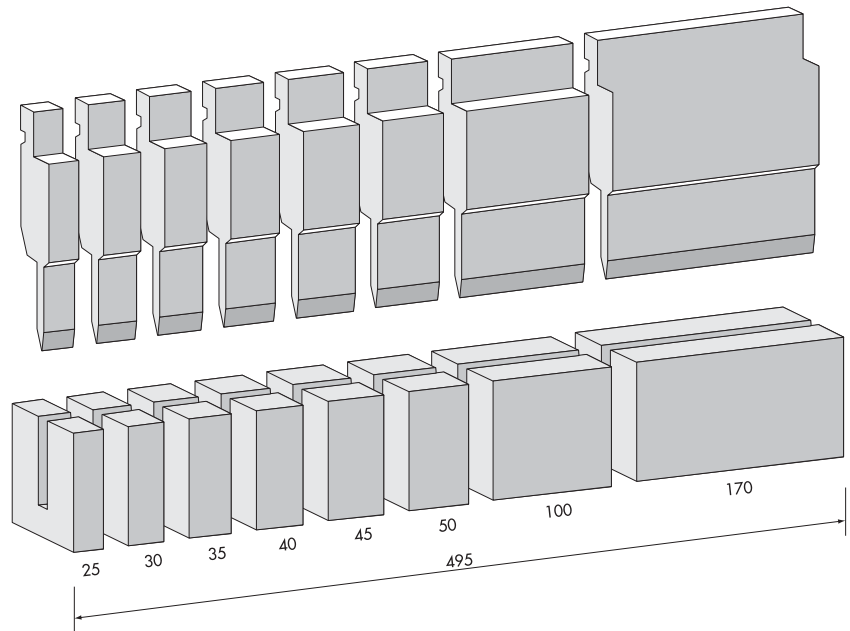
S	A	R.45 Kgf/mm <sup>2</sup>	R.70 Kgf/mm <sup>2</sup>
mm	mm	t/m	t/m
0,6	3,0	9	15
0,8	3,0	12	20
1,0	3,5	15	25
1,25	3,5	17	26
1,5	4,6	22	38
2,0	5,5	30	50

S	A	R.45 Kgf/mm <sup>2</sup>	R.70 Kgf/mm <sup>2</sup>
mm	mm	t/m	t/m
0,6	1,2	23	35
0,8	1,6	32	50
1,0	2,0	40	60
1,25	2,5	50	80
1,5	3,0	63	95
2,0	4,0	80	130

RKS-01-134.28.8/F  
P-134.28.8/F  
M-134.28.8/F

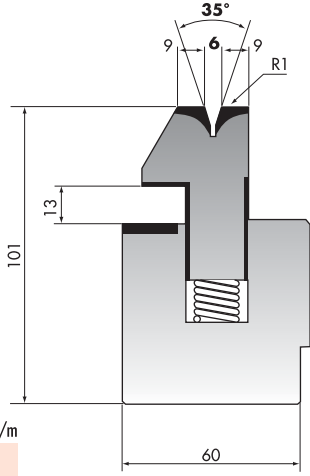
RKS-01-134.24.10/F  
P-134.24.10/F  
M-134.24.10/F

RKS-01-134.24.12/F  
P-134.24.12/F  
M-134.24.12/F



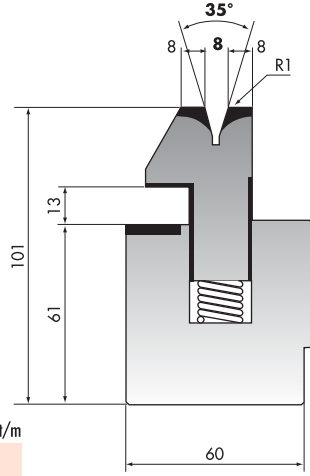
# PROMECAM-AMADA TYPE

RKS-01-S101-35-06-835



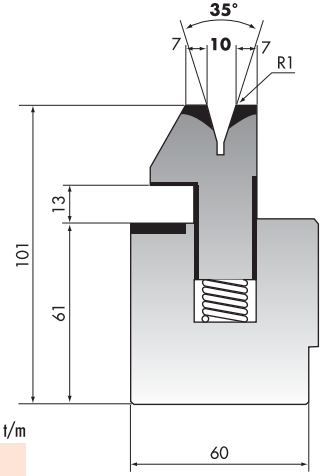
max t/m  
35-06 60

RKS-01-S101-35-08-835



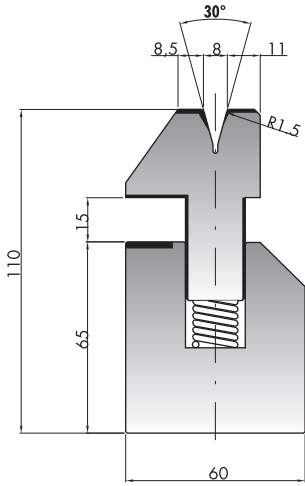
max t/m  
35-08 60

RKS-01-S101-35-10-835



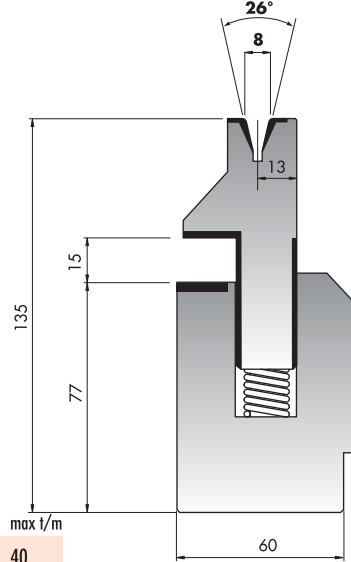
max t/m  
35-10 60

RKS-01-S110-30-08-835



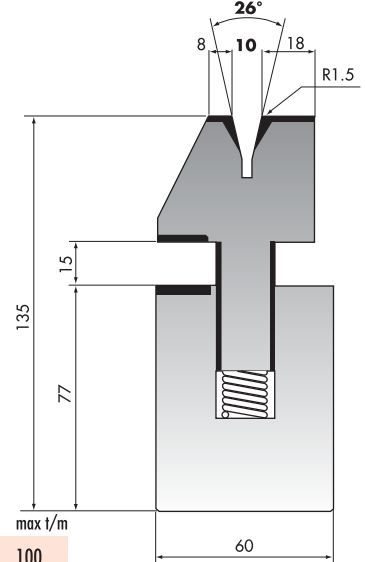
max t/m  
30-08 80

RKS-01-S135-26-08-835



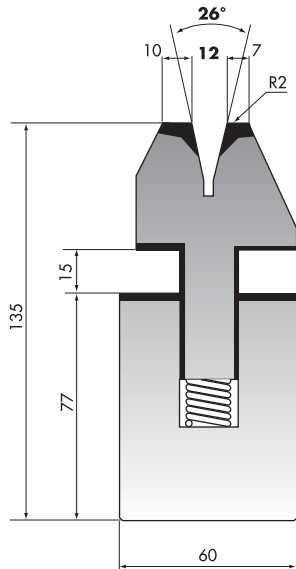
max t/m  
26-08 40

RKS-01-S135-26-10-835

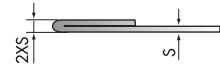
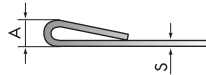


max t/m  
26-10 100

RKS-01-SA135-26-12-835



max t/m  
26-12 100

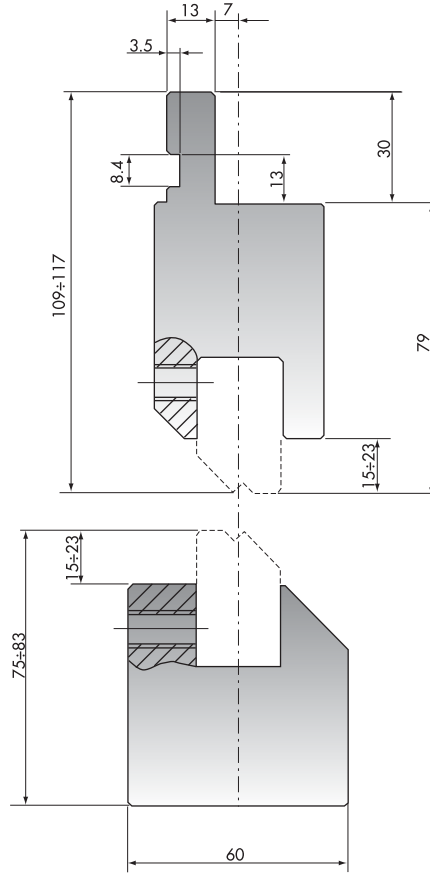


S	A	R.45 Kgf/mm <sup>2</sup>	R.70 Kgf/mm <sup>2</sup>
mm	mm	t/m	t/m
0,6	3,0	9	15
0,8	3,0	12	20
1,0	3,5	15	25
1,25	3,5	17	26
1,5	4,6	22	38
2,0	5,5	30	50
2,5	6,5	55	
3,0	8,0	70	

S	A	R.45 Kgf/mm <sup>2</sup>	R.70 Kgf/mm <sup>2</sup>
mm	mm	t/m	t/m
0,6	1,2	23	35
0,8	1,6	32	50
1,0	2,0	40	60
1,25	2,5	50	80
1,5	3,0	63	95
2,0	4,0	80	130
2,5	5,0	90	
3,0	6,0	100	

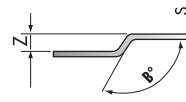
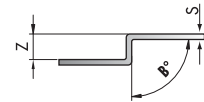
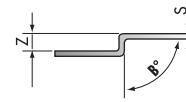
# PROMECAM-AMADA TYPE

RKS-01-CPZ-835



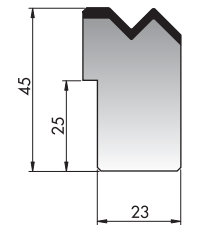
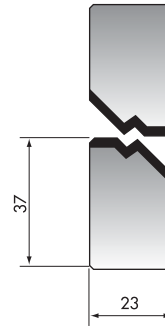
max t/m  
RKS-01-CPZ 100

RKS-01-CEZ(1-1,5-2-2,5-3-3,5-4-4,5-5-5,5-6-6,5-7-7,5-8-9-10-11-12-13-14-15)-90-140-150-160-835



	Z mm	B°	S* mm	max t/m
1	1	160°	1,2	100
1.5	1,5	160°	1,5	100
2	2	150°	1,4	100
2.5	2,5	140°	1,3	100
3	3	90°	1	100
3.5	3,5	90°	1	100
4	4	90°	1,2	100
4.5	4,5	90°	1,2	100
5	5	90°	1,3	100
5,5	5,5	90°	1,4	100
6	6	90°	1,5	100
6.5	6,5	90°	1,5	100
7	7	90°	1,5	100
7.5	7,5	90°	1,6	100
8	8	90°	1,6	100

\* Fe Rmax=42 kg/mm<sup>2</sup>

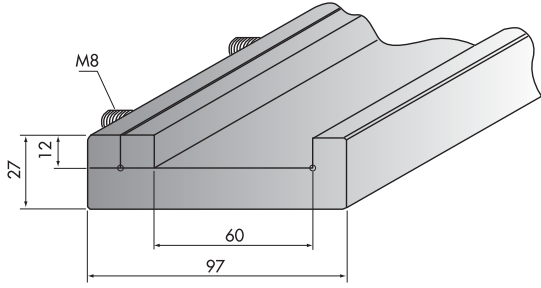


	Z mm	B°	S* mm	max t/m
9	9	90°	1,8	100
10	10	90°	1,8	100
11	11	90°	2	100
12	12	90°	2	100
13	13	90°	2	100
14	14	90°	2	100
15	15	90°	2,3	100

\* Fe Rmax=42 kg/mm<sup>2</sup>

# PROMECAM-AMADA TYPE

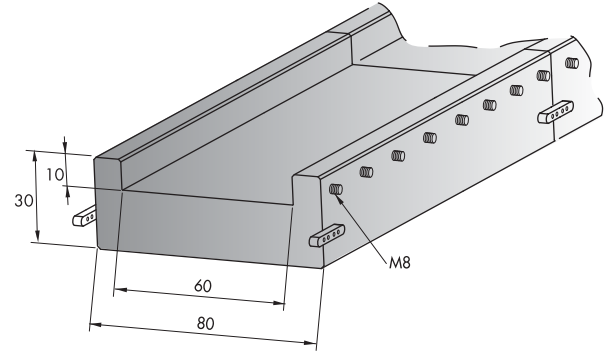
**RKS-01-C 2000/S C 2500/S C 3000/S C 4000/S**



mm

2000	2100
2500	2600
3000	3100
4000	4100

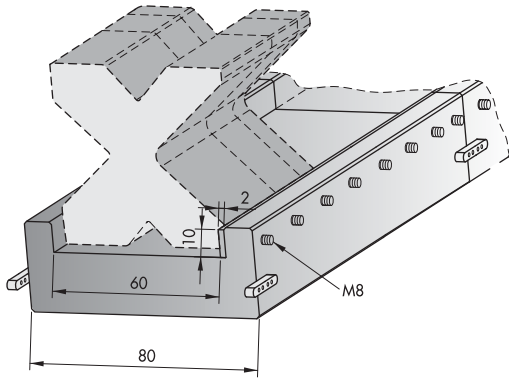
**RKS-01-C 1050/R-520**



mm

1050	1050
1050	520

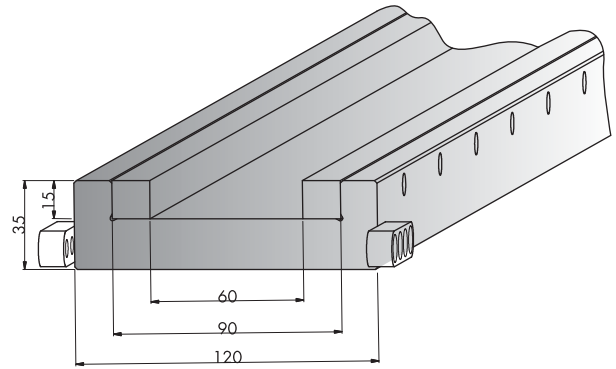
**RKS-01-C 1050/RS-520**



mm

1050	1050
1050	520

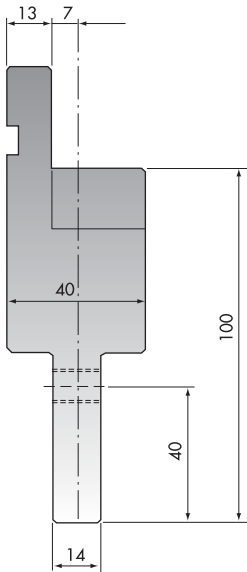
**RKS-01C 1050-90-520**



mm

1050-90	1050
1050-90	520

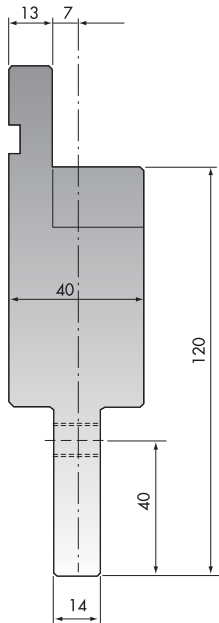
**RKS-01-INT100**



max t/m

100	100
-----	-----

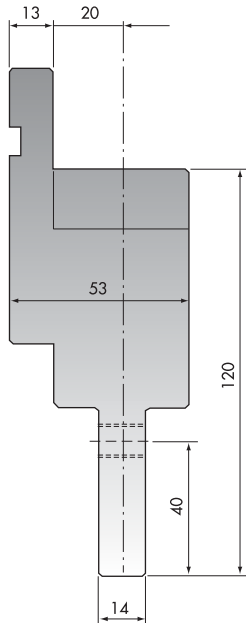
**RKS-01-INT120**



max t/m

120	100
-----	-----

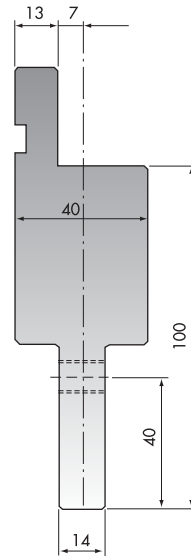
**RKS-01-INT120-40**



max t/m

120-40	100
--------	-----

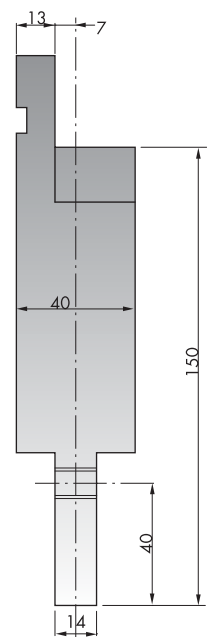
**RKS-01-INT100 FISSO**



max t/m

100 FISSO	100
-----------	-----

**RKS-01-INT150**

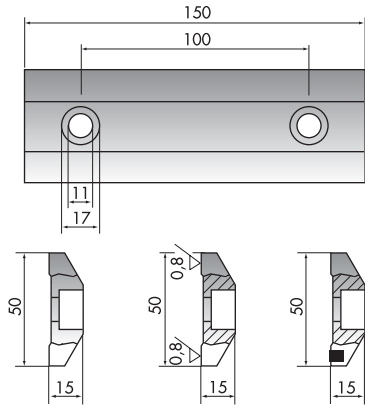


max t/m

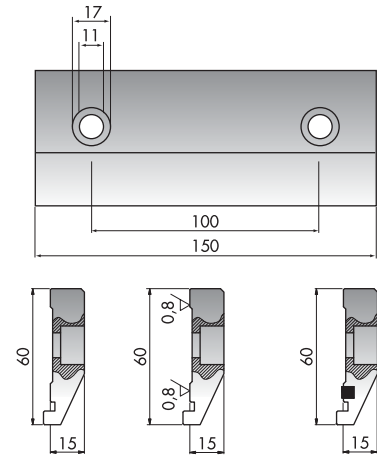
150	100
-----	-----

# PROMECAM-AMADA TYPE

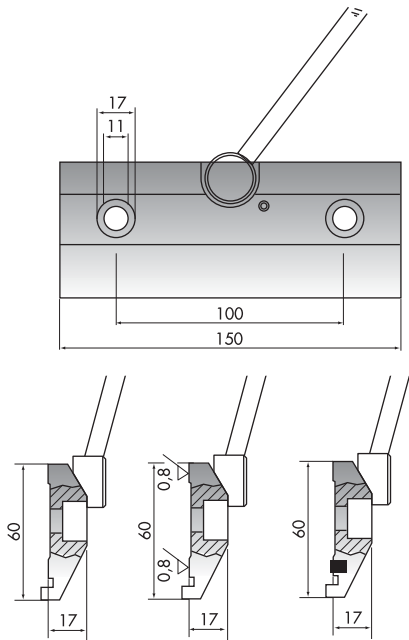
RKS-01-ST50 RKS-01-ST50R RKS-01-STG50-150



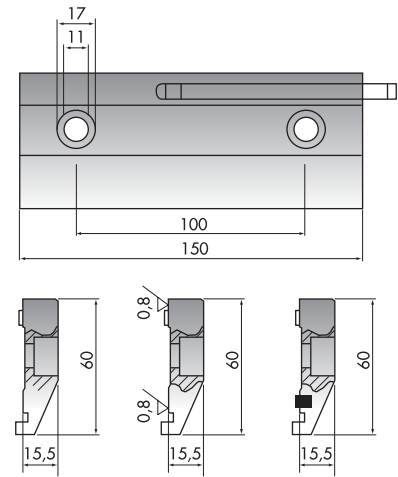
RKS-01-ST60 RKS-01-ST60R RKS-01-STG60-150



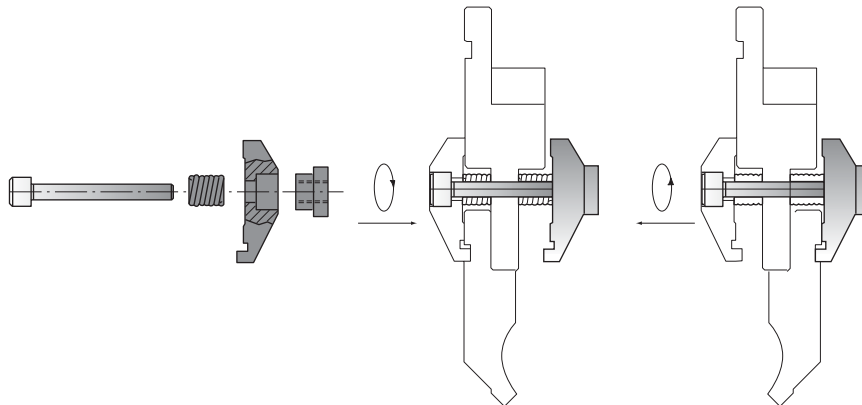
RKS-01-STL60 RKS-01-STL60R RKS-01-STLG60-150



RKS-01-STX60 RKS-01-STX60R RKS-01-STXG60-150

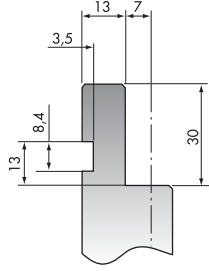


RKS-01-KDS

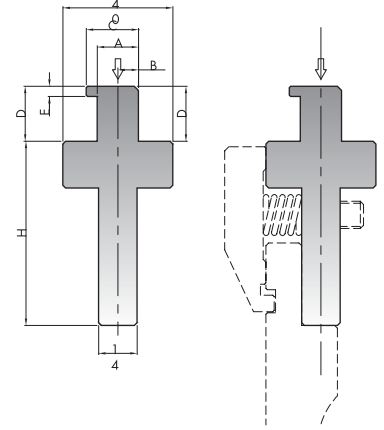


# PROMECAM-AMADA TYPE

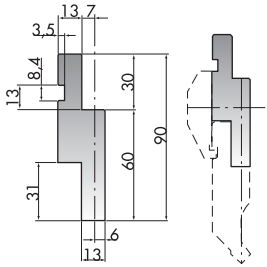
RKS-01-STANDARD



RKS-01-ADX-150

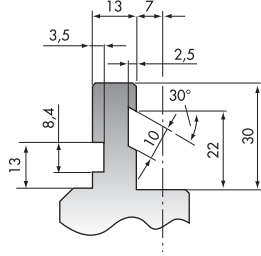


RKS-01-AD4-150



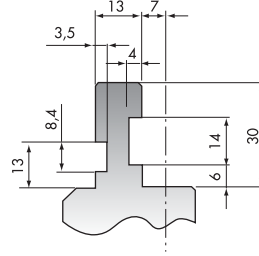
max l/m  
4 100

RKS-01-A1



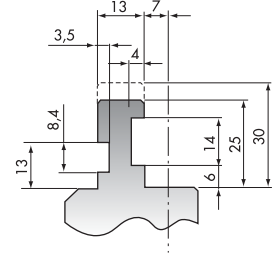
1

RKS-01-A6



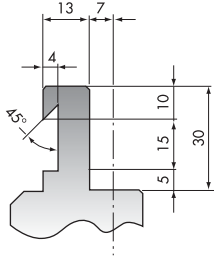
6

RKS-01-A7



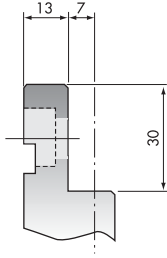
7

RKS-01-A8



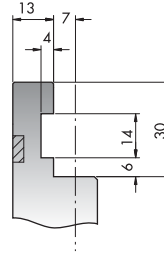
8

RKS-01-A9



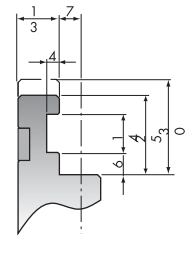
9

RKS-01-A41



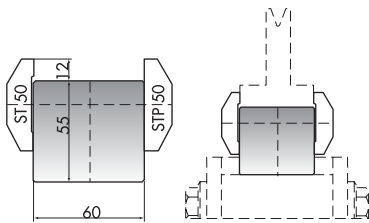
41

RKS-01-A42



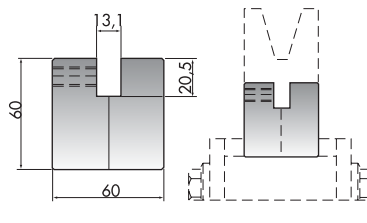
42

RKS-01-CTS60-835-415



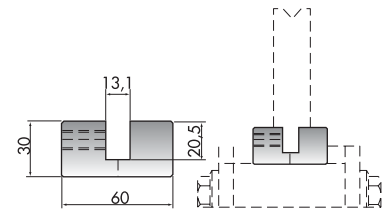
mm  
835  
415

RKS-01-02-03-AD5-1000-500



mm  
1000  
500

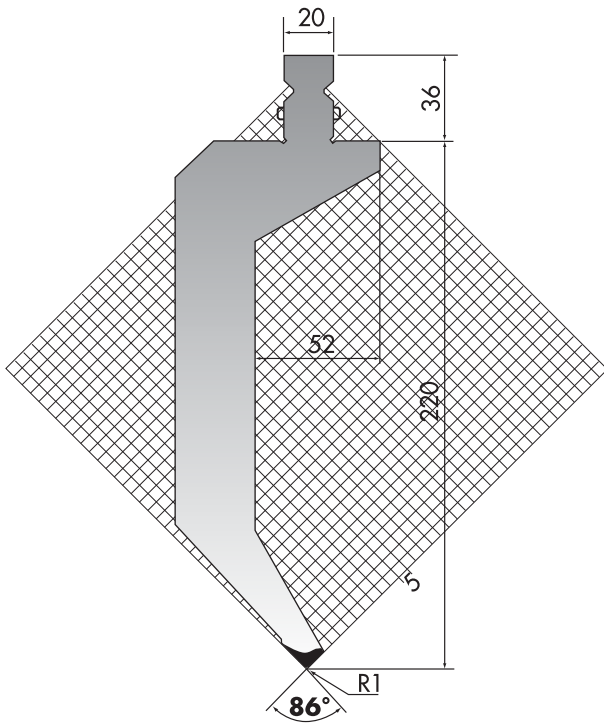
RKS-01-02-03-AD6-1000-500



mm  
1000  
500

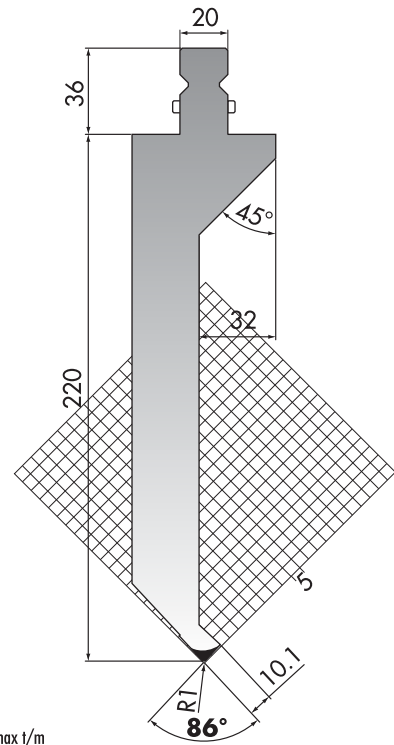
# TRUMPF-WILA TYPE

RKS-02-TPR256-86-R1-500



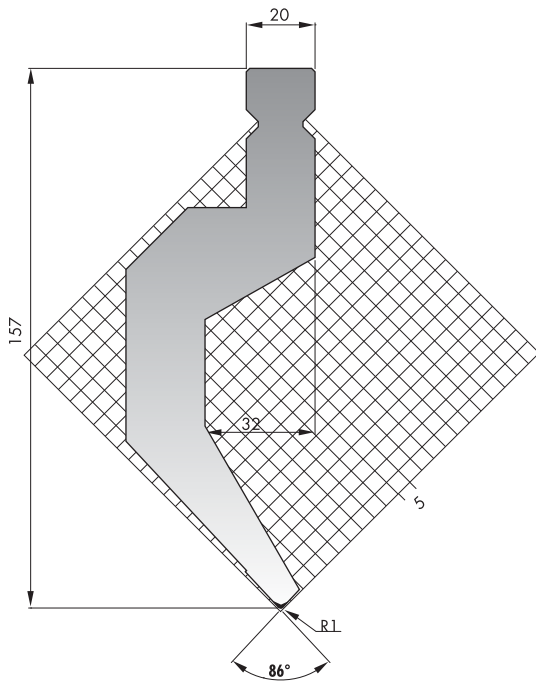
max t/m  
86-R1 80

RKS-02-TPR256-86-R1-A-500



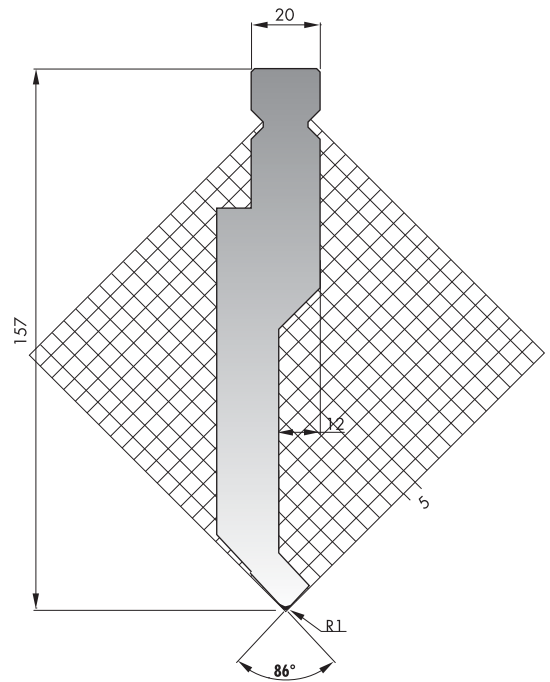
max t/m  
86-R1-A 80

RKS-02-TPR157-86-R1-500



max t/m  
86-R1 80

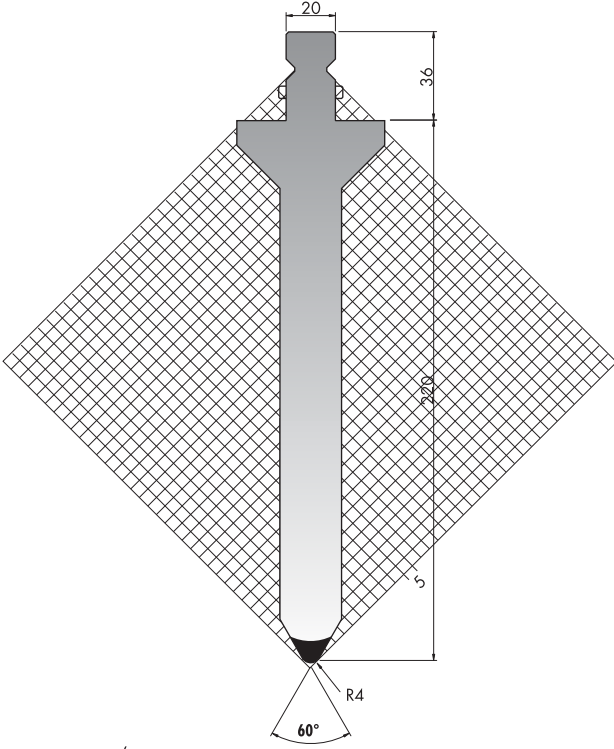
RKS-02-TPR157-86-R1-A-500



max t/m  
86-R1-A 80

# TRUMPF-WILA TYPE

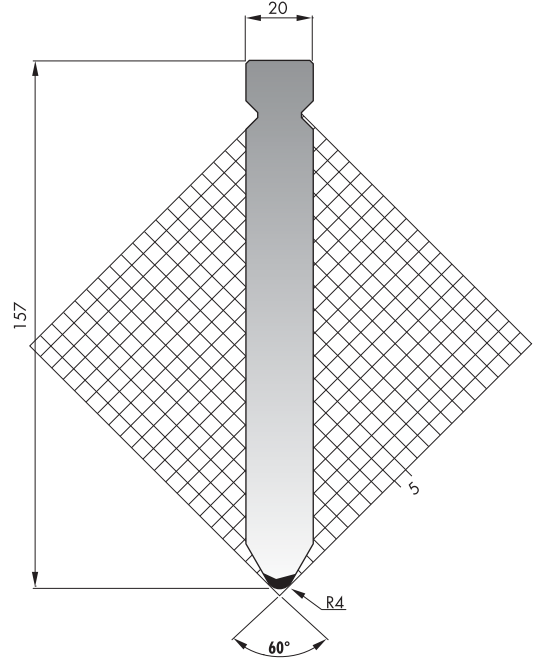
RKS-02-TPR256-60-R4-500



max t/m

60-R4 130

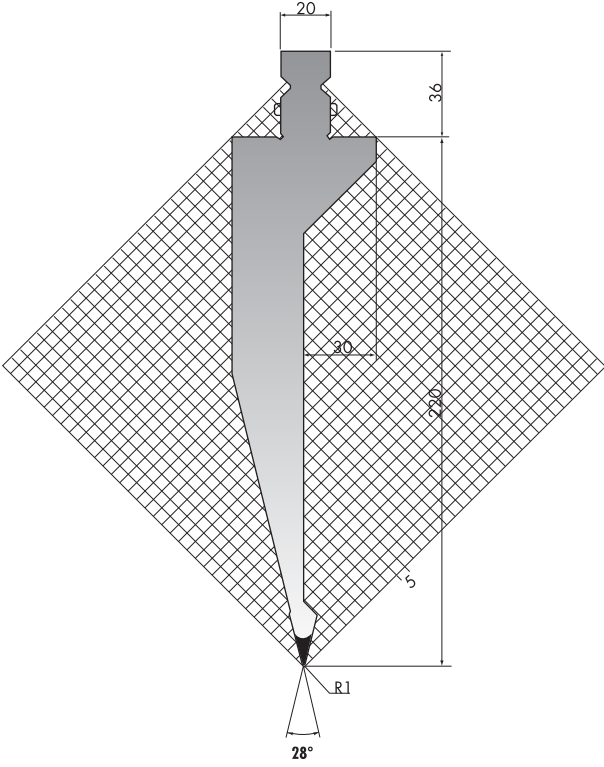
RKS-02-TPR157-60-R4-500



max t/m

60-R4 130

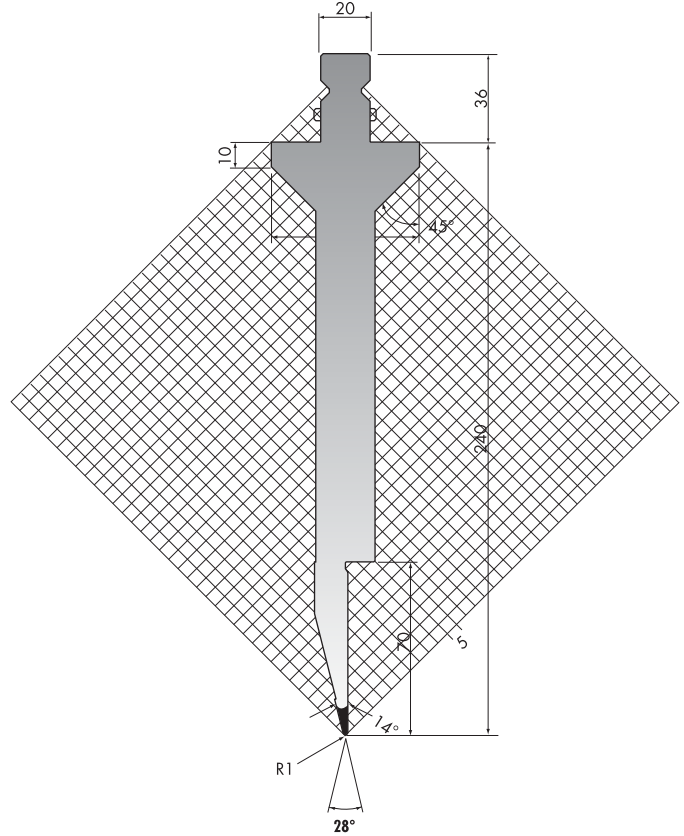
RKS-02-TPR256-28-R1-500



max t/m

28-R1 60

RKS-02-TPR276-28-R1-500



max t/m

28-R1 40

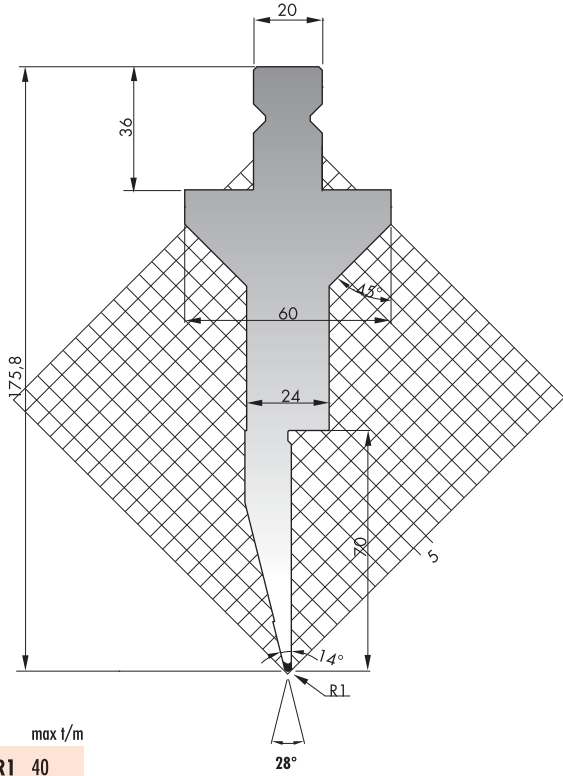


**RUKOSEN®**  
ABKANT VE PUNCH PRESS TAKIMLARI  
SANAYİ TİCARET LİMİTED ŞİRKETİ



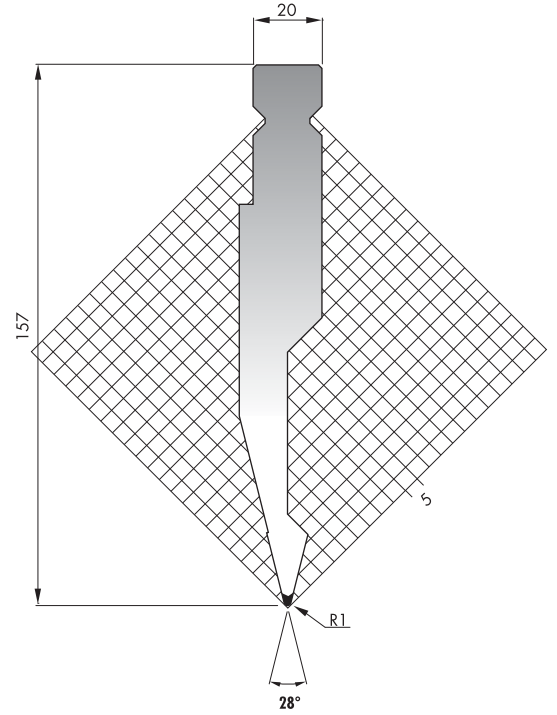
# TRUMPF-WILA TYPE

**RKS-02-TPR176-28-R1-500**

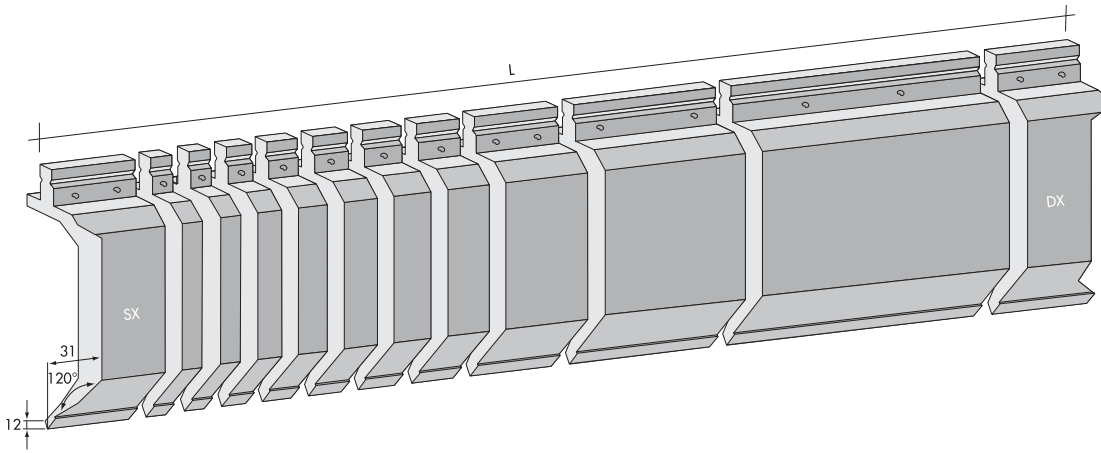


max t/m  
**28-R1 40**

**RKS-02-TPR157-28-R1-500**



max t/m  
**28-R1 60**



**RKS-02-TPR2...6/FD/(L)**

- L
- 300
- 200
- 100
- 100
- DX100
- SX50
- 45
- 40
- 35
- 30
- 25

**RKS-02-TPR2...6/FA/(L)**

L	25	30	35	40	45	50	100 DX	100 SX	100
1250	2	1	1	1	1	1	1	1	8
2050	2	1	1	1	1	1	1	1	16
2550	2	1	1	1	1	1	1	1	21
3050	2	1	1	1	1	1	1	1	26
4050	2	1	1	1	1	1	1	1	36

**RKS-02-TPR2...6/FB/(L)**

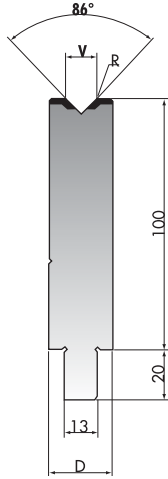
L	25	30	35	40	45	50	100 DX	100 SX	100	200	300
1250	2	1	1	1	1	1	1	1	1	2	1
2050	2	1	1	1	1	1	1	1	1	3	3
2550	2	1	1	1	1	1	1	1	1	4	4
3050	2	1	1	1	1	1	1	1	1	5	5
4050	2	1	1	1	1	1	1	1	1	7	7

**RKS-02-TPR2...6/FC/(L)**

L	25	30	35	40	45	50
250	2	1	1	1	1	1

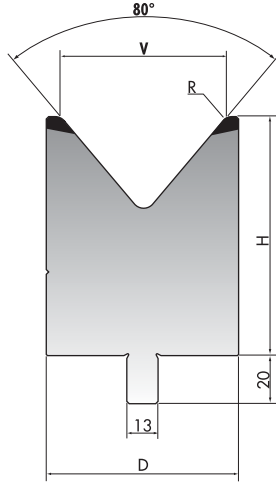
# TRUMPF-WILA TYPE

## RKS-02-TMR100-(06...50)-86-500



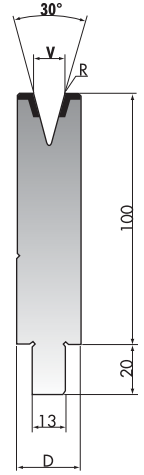
	V	R	D	max t/m
06-86	6	0,6	20	120
08-86	8	0,8	20	115
10-86	10	1	20	110
12-86	12	1	25	120
16-86	16	1,6	30	120
20-86	20	2	30	115
24-86	24	2,5	35	120
30-86	30	3	45	120
40-86	40	3	55	120
50-86	50	3	75	150

## RKS-02-TMR100-TMR120-(60...100)-80-500



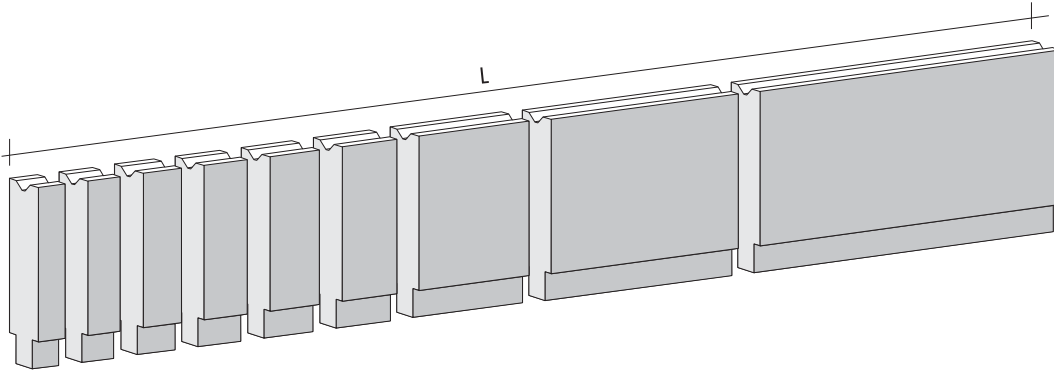
	V	H	R	D	max t/m
60-80	60	100	5	75	150
70-80	70	100	5	85	150
80-80	80	100	5	100	150
90-80	90	120	8	110	150
100-80	100	120	8	120	150

## RKS-02-TMR100-(06...30)-30-500



	V	R	D	max t/m
06-30	6	0,6	20	40
08-30	8	1	20	40
10-30	10	1	20	40
12-30	12	1	25	40
16-30	16	1,6	30	50
20-30	20	2	35	60
24-30	24	2,5	40	65
30-30	30	3	55	90

## RKS-02-TMR



### RKS-02-TMR1...0/FA/(L)

L	25	30	35	40	45	50	100
1250	2	1	1	1	1	1	10
2050	2	1	1	1	1	1	18
2550	2	1	1	1	1	1	23
3050	2	1	1	1	1	1	28
4050	2	1	1	1	1	1	38

### RKS-02-TMR1...0/FC/(L)

L	25	30	35	40	45	50
250	2	1	1	1	1	1

### RKS-02-TMR1...0/FD/(L)

300
200
100
50
45
40
35
30
25

### RKS-02-TMR1...0/FB/(L)

L	25	30	35	40	45	50	100	200	300	500
1250	2	1	1	1	1	1	3	2	1	0
2050	2	1	1	1	1	1	3	1	1	2
2550	2	1	1	1	1	1	3	1	1	3
3050	2	1	1	1	1	1	3	1	1	4
4050	2	1	1	1	1	1	3	1	1	6

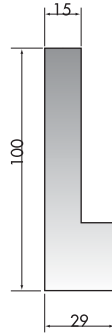
# TRUMPF-WILA TYPE

RKS-02-TMI100



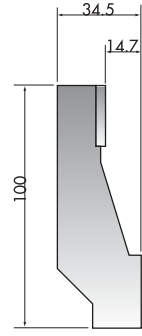
max t/m  
100 130

RKS-02-TML100

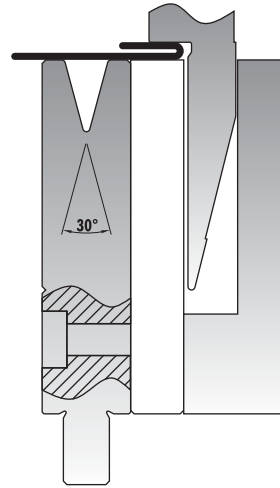
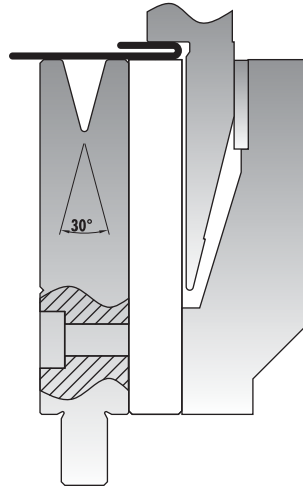


max t/m  
100 120

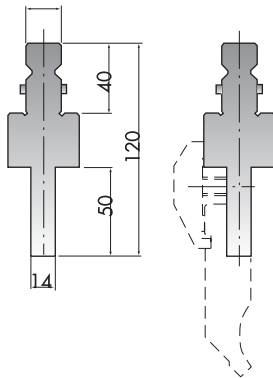
RKS-02-TMS100



max t/m  
100 130

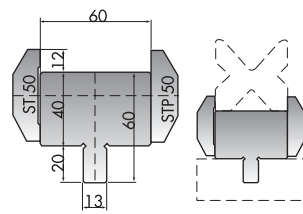


RKS-02-01-AD11-150



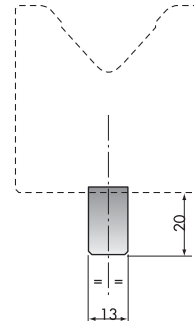
max t/m  
11 100

RKS-02-03-01-AD7-835-415



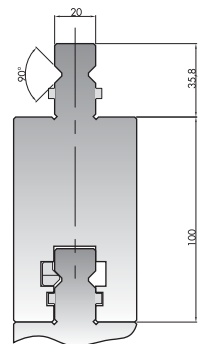
max t/m  
7 835  
7/C 415  
415

RKS-02-03-01-A30-835-415-805



max t/m  
30 835  
30/C 415  
30/F 805

RKS-02-AD21-150



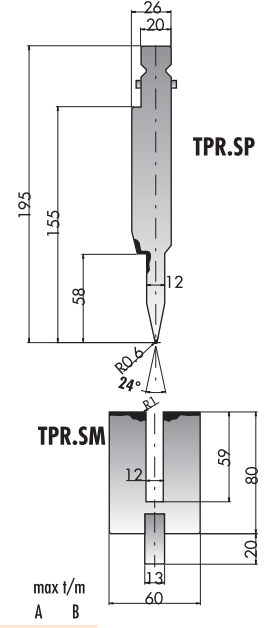
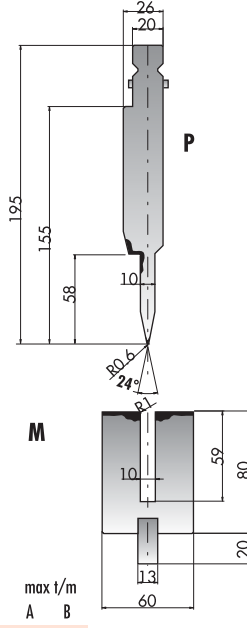
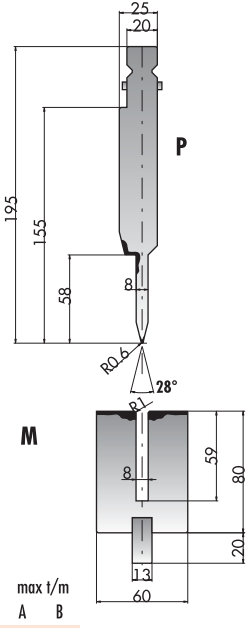
max t/m  
21 150

# TRUMPF-WILA TYPE

RKS-02(P+M)-28-525

RKS-02-(P+M)-24-525

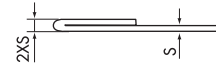
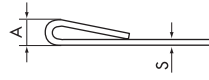
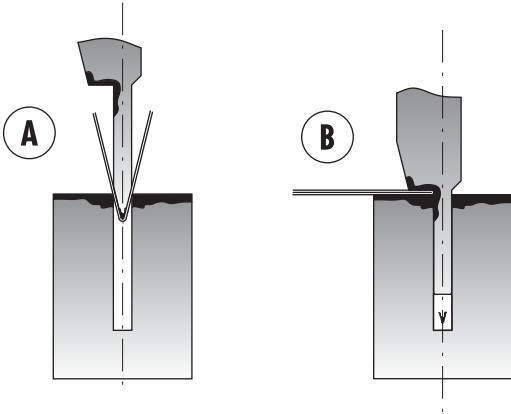
RKS-02--(P+M)-24-525



195.28.8		
195.28.8	80	100
195.28.8	50	100

195.24.10		
195.24.10	80	100
195.24.10	50	100

195.24.12		
195.24.12	80	100
195.24.12	50	100



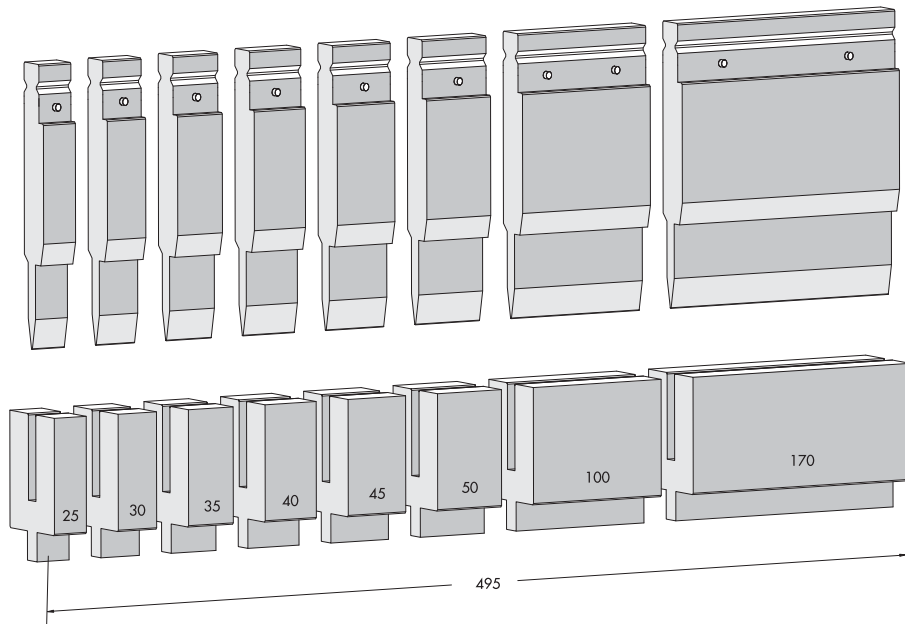
S	A	R.45 Kgf/mm <sup>2</sup>	R.70 Kgf/mm <sup>2</sup>
mm	mm	t/m	t/m
0,6	3,0	9	15
0,8	3,0	12	20
1,0	3,5	15	25
1,25	3,5	17	26
1,5	4,6	22	38
2,0	5,5	30	50

S	A	R.45 Kgf/mm <sup>2</sup>	R.70 Kgf/mm <sup>2</sup>
mm	mm	t/m	t/m
0,6	1,2	23	35
0,8	1,6	32	50
1,0	2,0	40	60
1,25	2,5	50	80
1,5	3,0	63	95
2,0	4,0	80	130

195.28.8/F  
195.28.8/F  
195.28.8/F

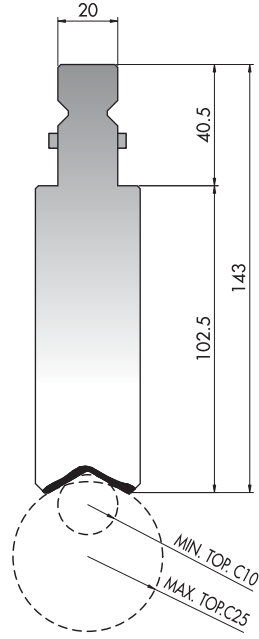
195.24.10/F  
195.24.10/F  
195.24.10/F

195.24.12/F  
195.24.12/F  
195.24.12/F



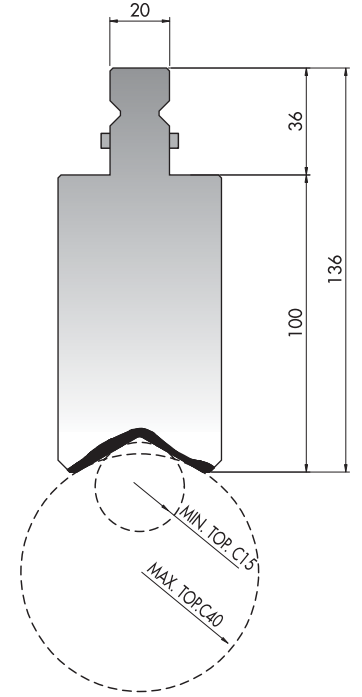
# TRUMPF-WILA TYPE

RKS-02-TPR143.10-522



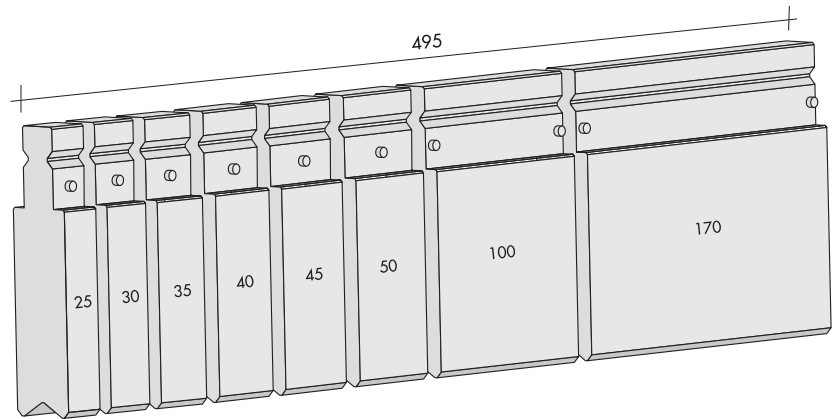
max t/m  
143.10 100

RKS-02-TPR136.15-522

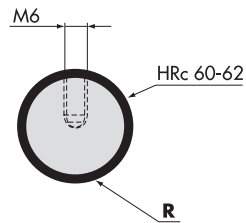


max t/m  
136.15 100

RKS-02-TPR

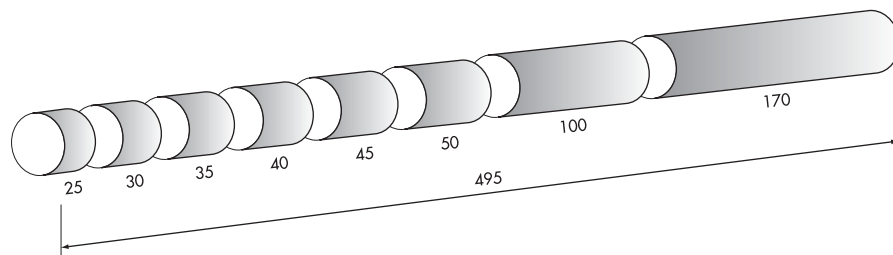


RKS-02-C-(10-40)-525



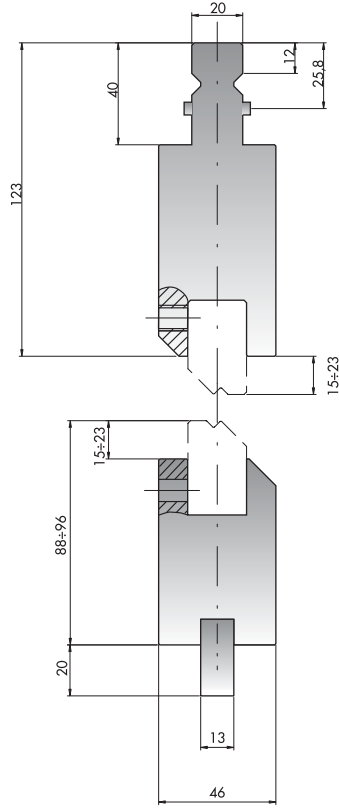
R mm	max t/m
10	10 100
12.5	12,5 100
15	15 100
17.5	17,5 100

R mm	max t/m
20	20 100
25	25 100
30	30 100
35	35 100
40	40 100



# TRUMPF-WILA TYPE

RKS-02-TPZ-835-415



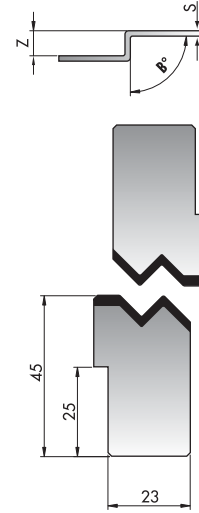
	mm	max t/m
RKS-02-TPZ	835	100
RKS-02-TPZ/C	415	100

RKS-02-CEZ-(1-1.5-2-2.5-3-3.5-4-4.5-5-5.5-6-6.5-7--7.5-8-9-10-11-12-13-14-15)-90-140-150-160)-835-415



	Z mm	B°	S* mm	max t/m
1	1	160°	1,2	100
1.5	1,5	160°	1,5	100
2	2	150°	1,4	100
2.5	2,5	140°	1,3	100
3	3	90°	1	100
3.5	3,5	90°	1	100
4	4	90°	1,2	100
4.5	4,5	90°	1,2	100
5	5	90°	1,3	100
5.5	5,5	90°	1,4	100
6	6	90°	1,5	100
6.5	6,5	90°	1,5	100
7	7	90°	1,5	100
7.5	7,5	90°	1,6	100
8	8	90°	1,6	100

\* Fe Rmax=42 kg/mm<sup>2</sup>

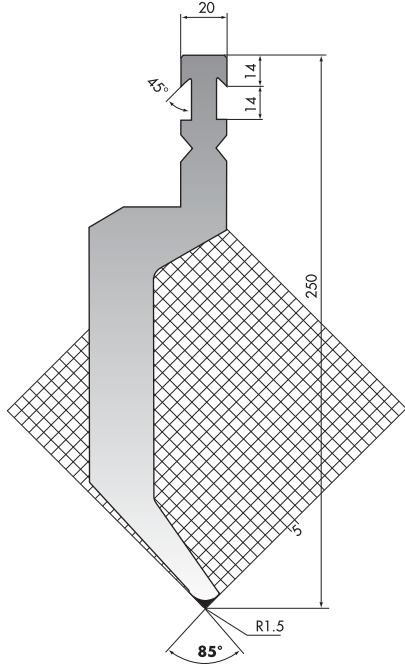


	Z mm	B°	S* mm	max t/m
9	9	90°	1,8	100
10	10	90°	1,8	100
11	11	90°	2	100
12	12	90°	2	100
13	13	90°	2	100
14	14	90°	2	100
15	15	90°	2,3	100

\* Fe Rmax=42 kg/mm<sup>2</sup>

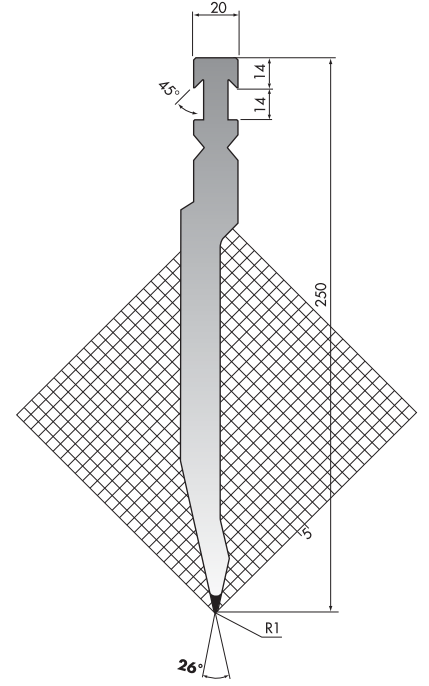
# BEYELER TYPE

RKS-03-BPR250-P4-RFA-508



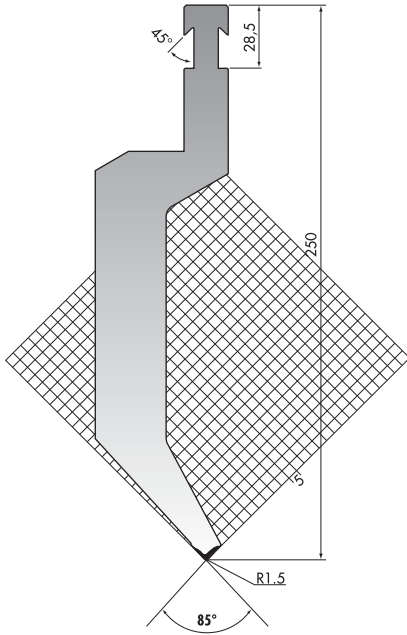
max t/m  
P4-RFA 90

RKS-03-BPR250-P5-RFA-508



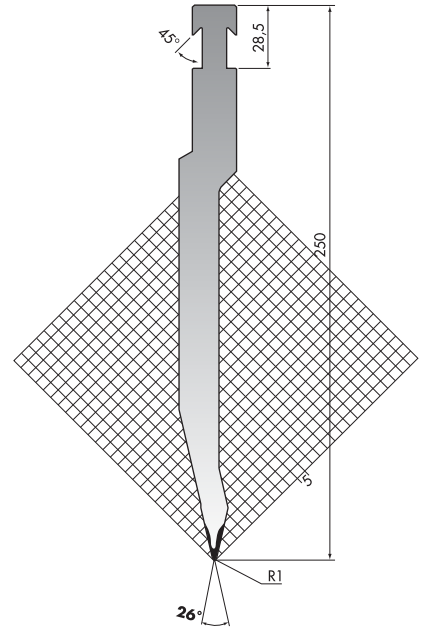
max t/m  
P5-RFA 100

RKS-03-BPR250-P4-RF-508



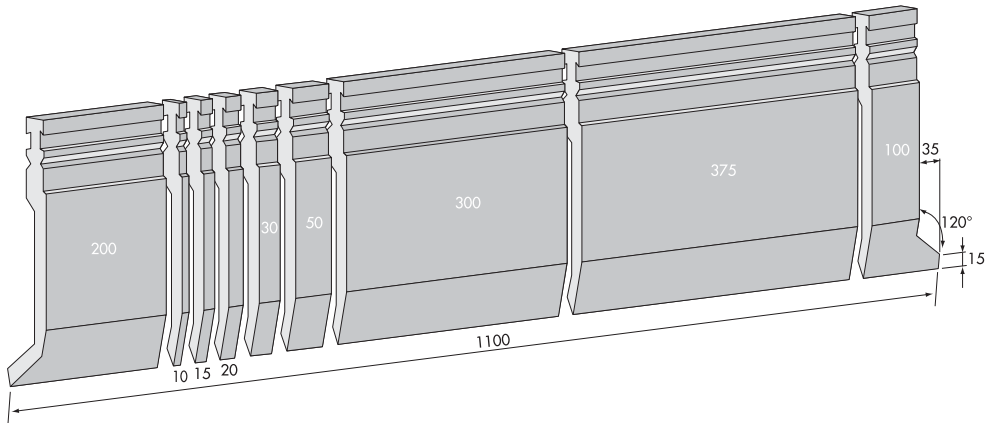
max t/m  
P4-RF 90

RKS-03-BPR250-P5-RF



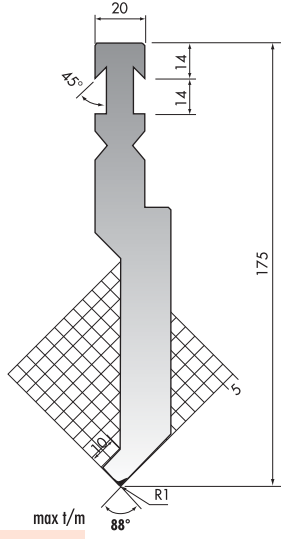
max t/m  
P5-RF 100

RKS-03-BPR



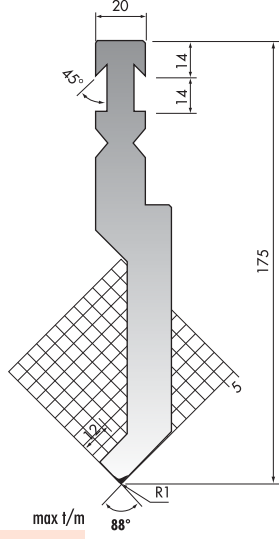
# BEYELER TYPE

RKS-03-BP175-88-R1-A-RFA -1000



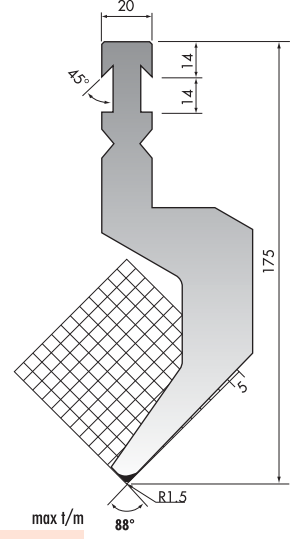
175-88-R1-A-RFA 100

RKS-03-BP175-88-R1-B-RFA -1000



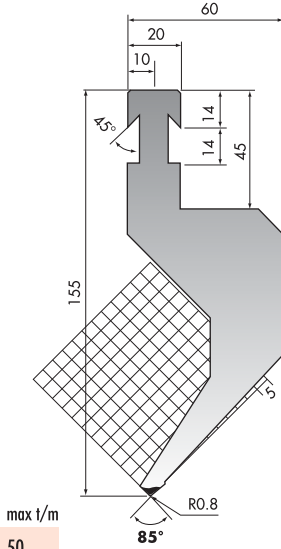
175-88-R1-B-RFA 100

RKS-03-BP175-88-R15-RFA -1000



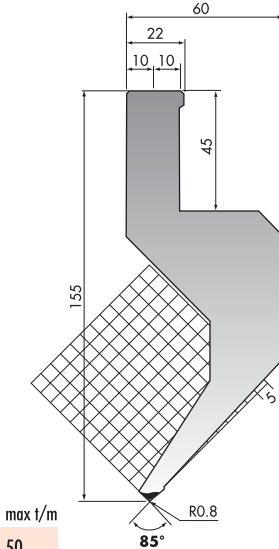
175-88-R15-RFA 50

RKS-03-BP155-85-R08-R-1000



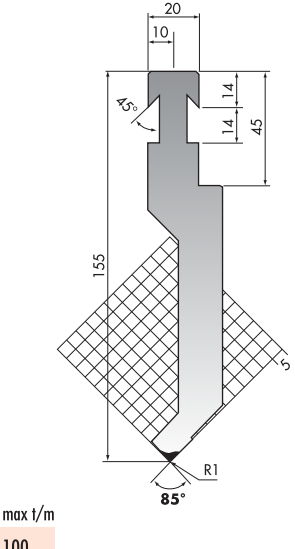
155-85-R08-R 50

RKS-03-BP155-85-R08-S-1000



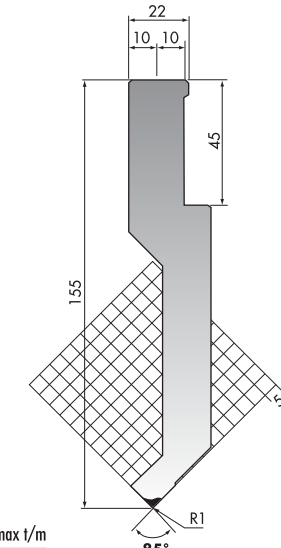
155-85-R08-S 50

RKS-03-BP155-85-R1-R -1000



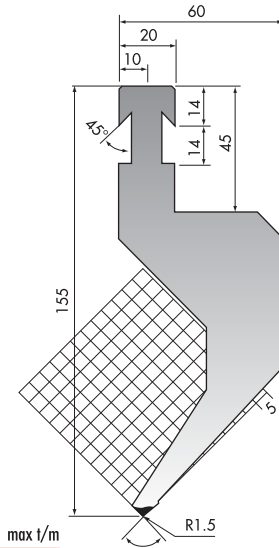
155-85-R1-R 100

RKS-03-BP155-85-R1-S-1000



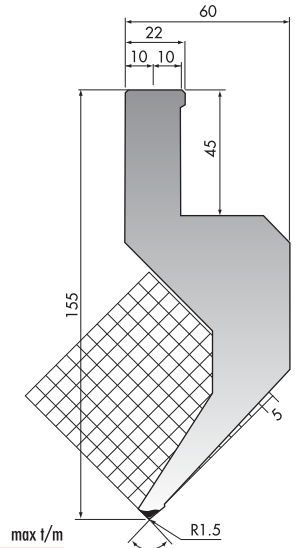
155-85-R1-S 100

RKS-03-BP155-85-R15-R-1000



155-85-R15-R 50

RKS-03-BP155-85-R15-S-1000

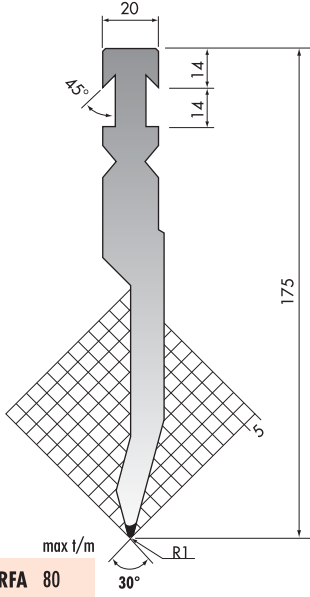


155-85-R15-S 50



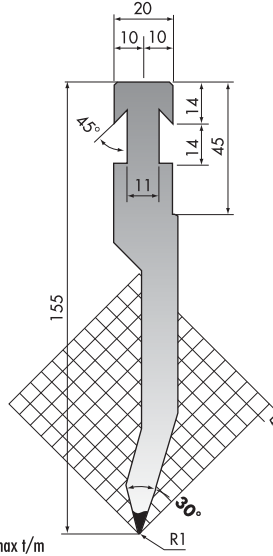
# BEYELER TYPE

RKS-03-BP175-30-R1-RFA-1000



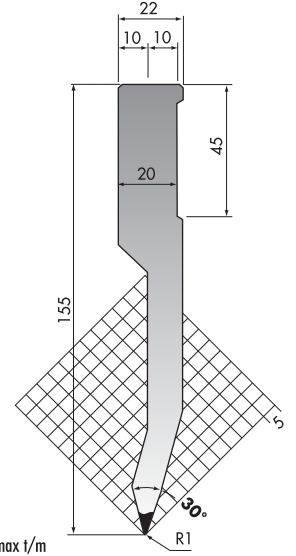
175-30-R1-RFA 80

RKS-03-BP155-30-R1-R-1000



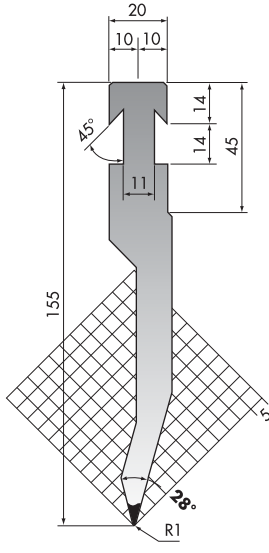
155-30-R1-R 80

RKS-03-BP155-30-R1-S-1000



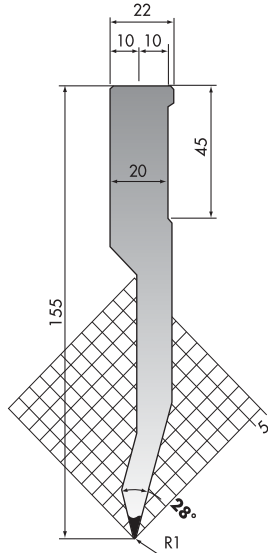
155-30-R1-S 80

RKS-03-BP155-28-R1-R-1000



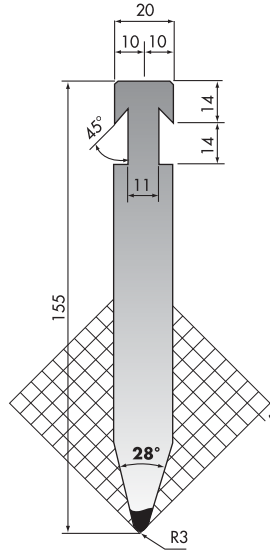
155-28-R1-R 80

RKS-03-BP155-28-R1-S-1000



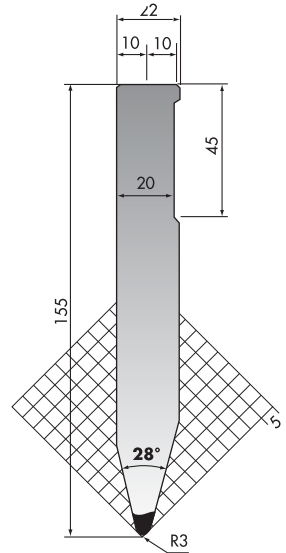
155-28-R1-S 80

RKS-03-BP155-28-R3-R-1000



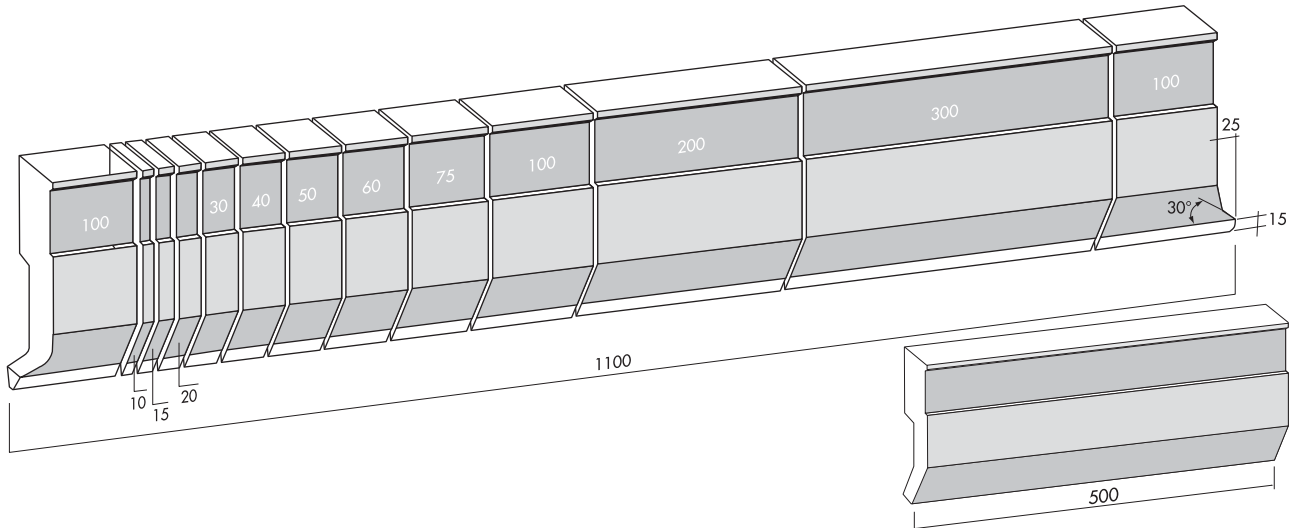
155-28-R3-R 100

RKS-03-BP155-28-R3-S-1000



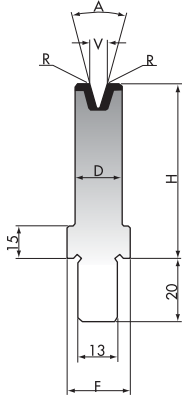
155-28-R3-S 100

RKS-03-BP



# BEYELER TYPE

RKS-03-BMR-55-60-65-85-(6-8-10-12-16-20-24-32-40-50-60-80-100)-30-60-80-85-88-90-1000



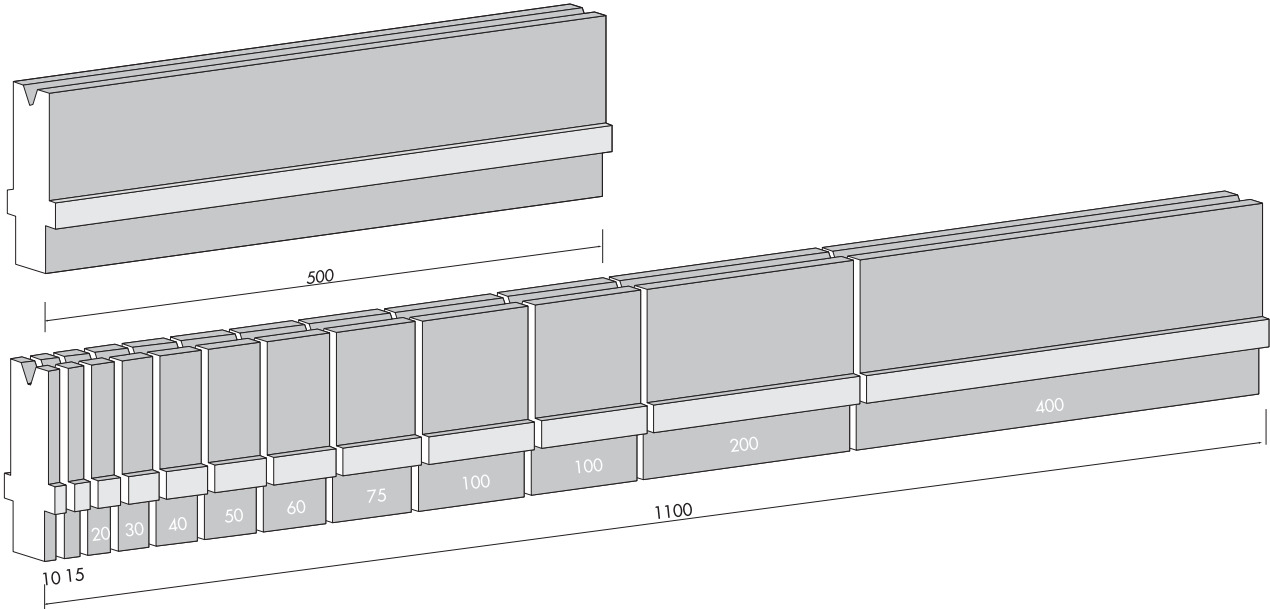
	V mm	A°	R mm	D mm	H mm	F mm	max t/m
<b>10-88</b>	10	88	1	20	55	25	110
<b>12-88</b>	12	88	1,5	20	55	25	120
<b>16-88</b>	16	88	2	30	55	30	120
<b>20-88</b>	20	88	2	30	55	30	110
<b>24-88</b>	24	88	3	40	55	40	120

	V mm	A°	R mm	D mm	H mm	F mm	max t/m
<b>32-85</b>	32	85	4	50	55	50	120
<b>40-85</b>	40	85	4	55	55	55	120
<b>80-80</b>	80	80	10	100	65	100	170
<b>100-80</b>	100	80	12	125	85	125	230
<b>40-60</b>	40	60	5	55	55	55	130
<b>50-60</b>	50	60	5	70	55	70	120
<b>60-60</b>	60	60	7	80	65	80	110

	V mm	A°	R mm	D mm	H mm	F mm	max t/m
<b>06-90</b>	6	90	0,4	15	55	25	115
<b>08-90</b>	8	90	0,5	15	55	25	110
<b>10-90</b>	10	90	1	20	55	25	110
<b>12-90</b>	12	90	1,5	20	55	25	120
<b>16-90</b>	16	90	2	30	55	30	120

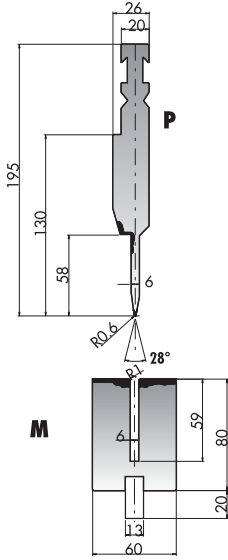
	V mm	A°	R mm	D mm	H mm	F mm	max t/m 90°	max t/m 60°	max t/m 30°
<b>06-30</b>	6	30	0,6	15	55	25	90	50	35
<b>08-30</b>	8	30	0,8	15	55	25	70	40	20
<b>10-30</b>	10	30	1	20	55	25	80	50	35
<b>12-30</b>	12	30	1,5	20	55	25	70	45	30
<b>16-30</b>	16	30	2	30	55	30	105	65	45
<b>20-30</b>	20	30	2,5	35	55	35	105	70	50
<b>24-30</b>	24	30	3	40	55	40	105	70	55
<b>32-30</b>	32	30	4	60	60	60	150	80	65

RKS-03-BMR



# BEYELER TYPE

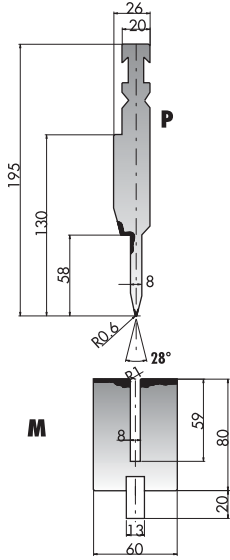
RKS-03-(P+M)-28-525



max t/m  
A B

195.28.6
195.28.6 50 100
195.28.6 50 100

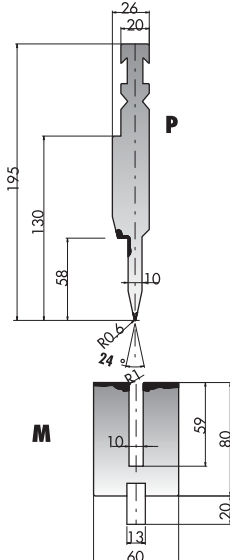
RKS-03-(P+M)-28-525



max t/m  
A B

195.28.8
195.28.8 80 100
195.28.8 50 100

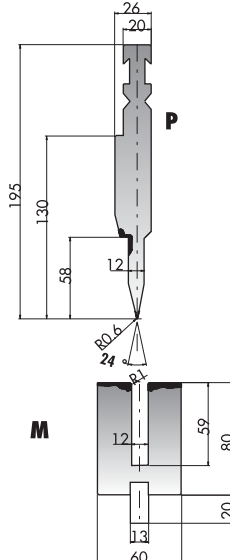
RKS-03-(P+M)-24-525



max t/m  
A B

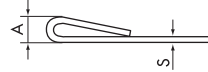
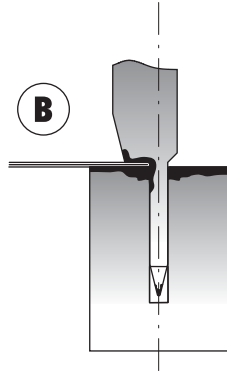
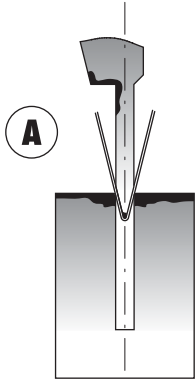
195.24.10
195.24.10 80 100
195.24.10 50 100

RKS-03-(P+M)-24-525



max t/m  
A B

195.24.12
195.24.12 80 100
195.24.12 50 100



S	A	R.45 Kgf/mm <sup>2</sup>	R.70 Kgf/mm <sup>2</sup>
mm	mm	t/m	t/m
0,6	3,0	9	15
0,8	3,0	12	20
1,0	3,5	15	25
1,25	3,5	17	26
1,5	4,6	22	38
2,0	5,5	30	50

S	A	R.45 Kgf/mm <sup>2</sup>	R.70 Kgf/mm <sup>2</sup>
mm	mm	t/m	t/m
0,6	1,2	23	35
0,8	1,6	32	50
1,0	2,0	40	60
1,25	2,5	50	80
1,5	3,0	63	95
2,0	4,0	80	130

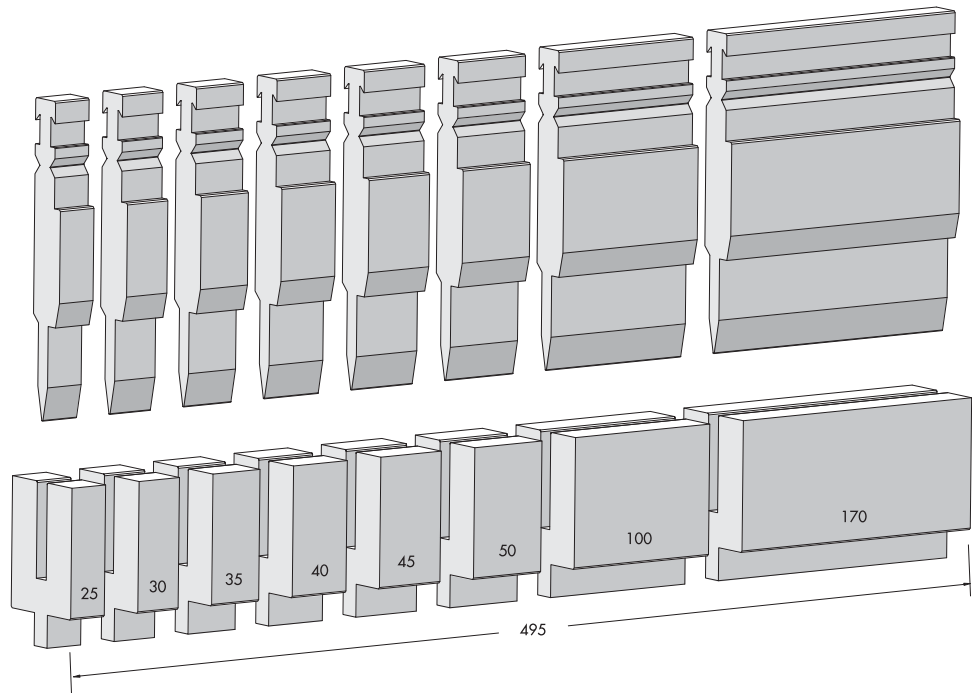
BPR

195.28.6/F  
195.28.8/F  
195.28.8/F

195.28.8/F  
195.28.6/F  
195.28.6/F

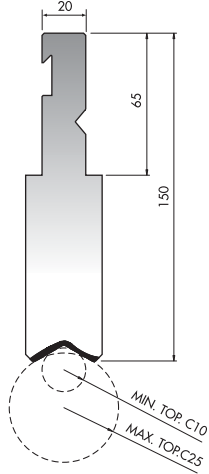
195.24.10/F  
195.24.10/F  
195.24.10/F

195.24.12/F  
195.24.12/F  
195.24.12/F



# BEYELER TYPE

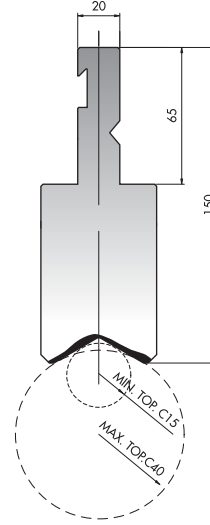
RKS-03-BPR150-P10-10-RFA-522



max t/m

P10-10-RFA 100

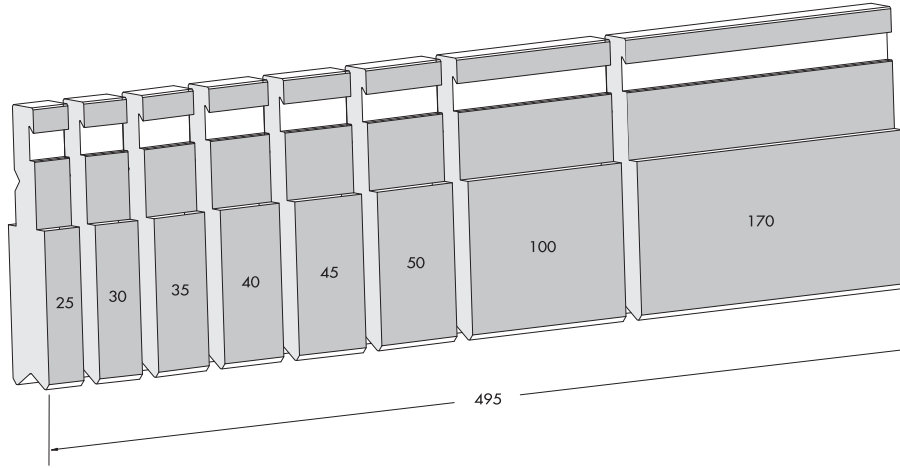
RKS-03-BPR150-P10-15-RFA-522



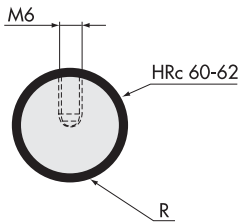
max t/m

P10-15-RFA 100

RKS-03-BPR



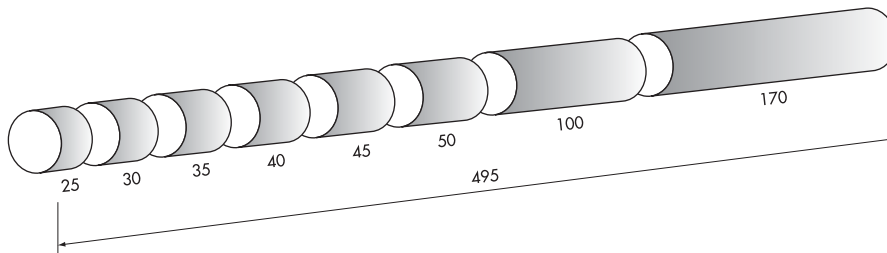
RKS-03-TOP.C-(10-12.5-15-17.5-20-25-30-35-40)-525



	R mm	max t/m
TOP.C10	10	100
TOP.C12.5	12,5	100
TOP.C15	15	100
TOP.C17.5	17,5	100

	R mm	max t/m
TOP.C20	20	100
TOP.C25	25	100
TOP.C30	30	100
TOP.C35	35	100
TOP.C40	40	100

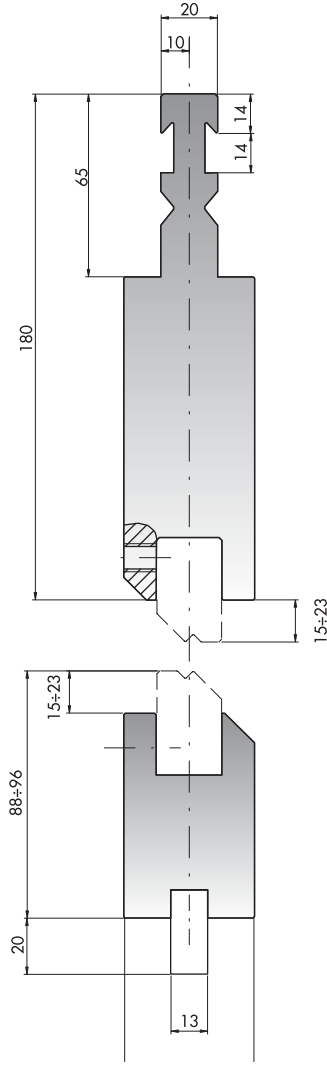
RKS-03-TOP.C



# BEYELER TYPE

RKS-03-BPZ-835-415

	mm	max t/m
RKS-03-BPZ	835	100
RKS-03-BPZ/C	415	100



RKS-03-CEZ-(1-1.5-2-2.5-3-4-4.5-5-5.5-6 -6.5-7-7.5-8-9-10-11-12-13-14-15)-90-140-150-160-835-415

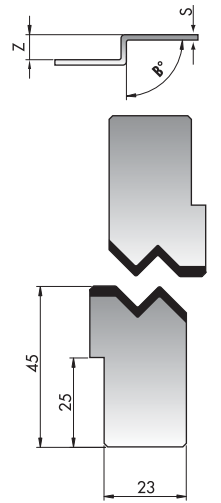
	Z mm	B°	S* mm	max t/m
1	1	160°	1,2	100
1.5	1,5	160°	1,5	100
2	2	150°	1,4	100
2.5	2,5	140°	1,3	100
3	3	90°	1	100
3.5	3,5	90°	1	100
4	4	90°	1,2	100
4.5	4,5	90°	1,2	100
5	5	90°	1,3	100
5.5	5,5	90°	1,4	100
6	6	90°	1,5	100
6.5	6,5	90°	1,5	100
7	7	90°	1,5	100
7.5	7,5	90°	1,6	100
8	8	90°	1,6	100

\* Fe Rmax=42 kg/mm<sup>2</sup>



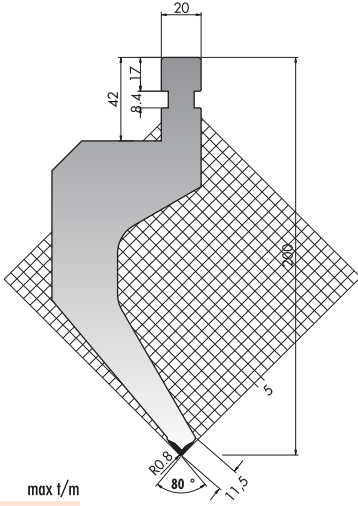
	Z mm	B°	S* mm	max t/m
9	9	90°	1,8	100
10	10	90°	1,8	100
11	11	90°	2	100
12	12	90°	2	100
13	13	90°	2	100
14	14	90°	2	100
15	15	90°	2,3	100

\* Fe Rmax=42 kg/mm<sup>2</sup>



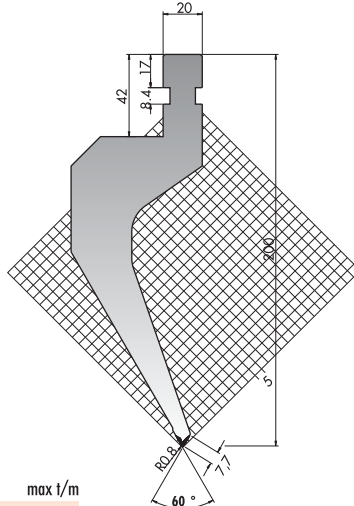
# GASPARINI TYPE

RKS-04-GASP200-80-R08-835



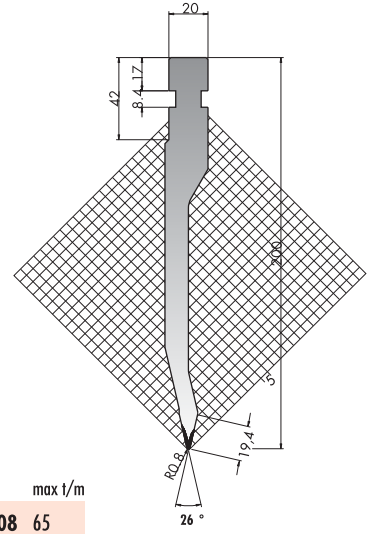
max t/m  
80-R08 80

RKS-04-GASP200-60-R08-835



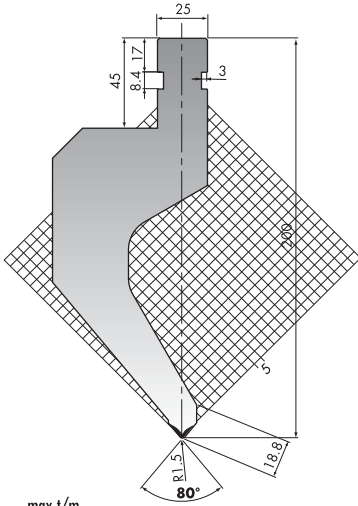
max t/m  
60-R08 65

RKS-04-GASP200-26-R08-835



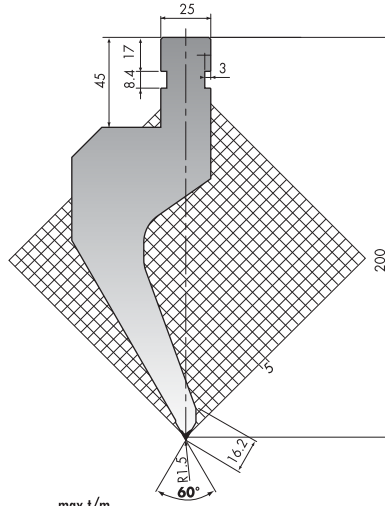
max t/m  
26-R08 65

RKS-04-GASP200-80-R15-835



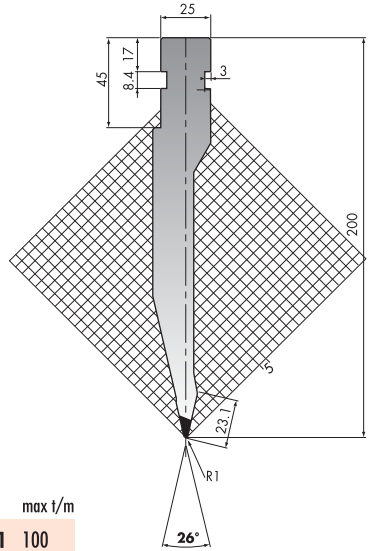
max t/m  
80-R15 100

RKS-04-GASP200-60-R15-835



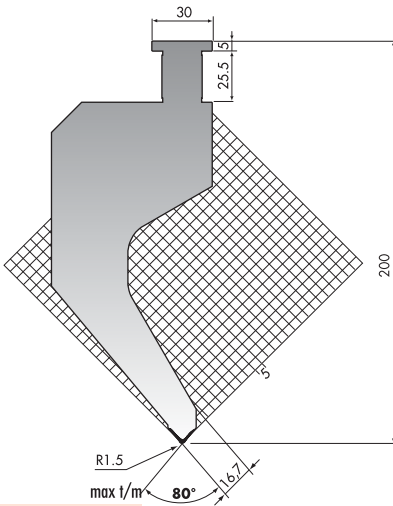
max t/m  
60-R15 100

RKS-04-GASP200-26-R1-835



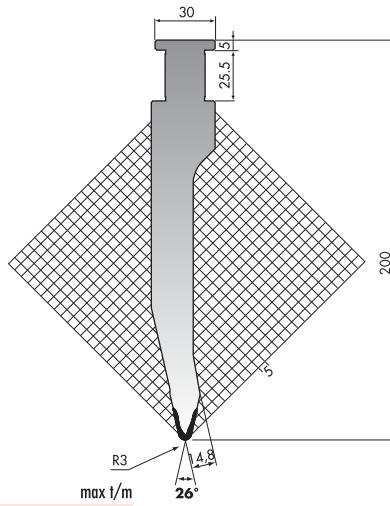
max t/m  
26-R1 100

RKS-04-GASP200-80-R15-30-835



max t/m  
80-R15-30 100

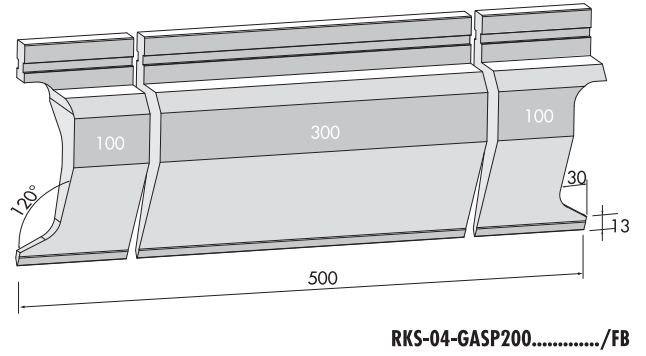
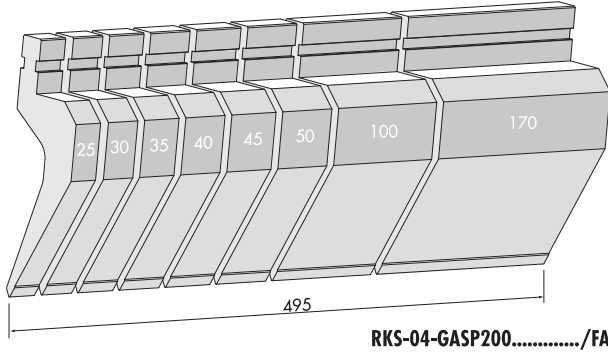
RKS-04-GASP200-26-R3-30-835



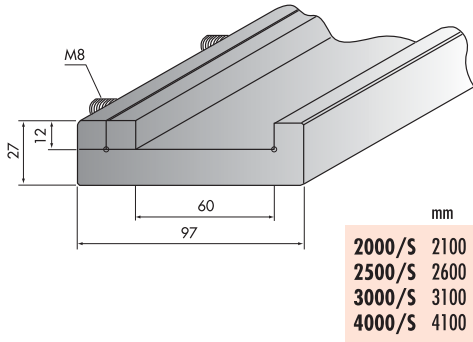
max t/m  
26-R3-30 130

# GASPARINI TYPE

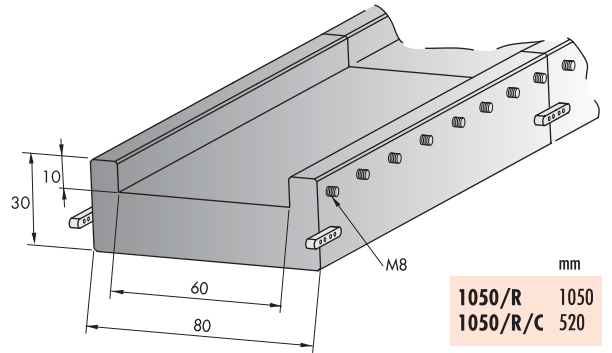
## RKS-04-GASP



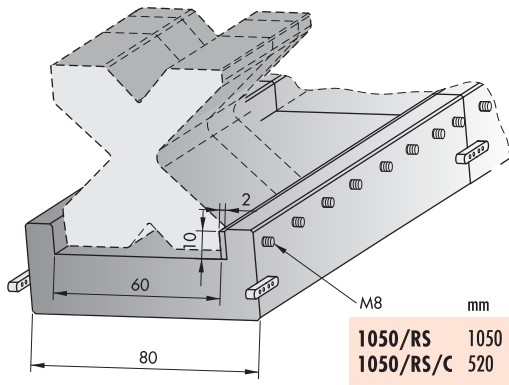
## RKS-04-C2000/S C2500/S C3000/S C4000/S



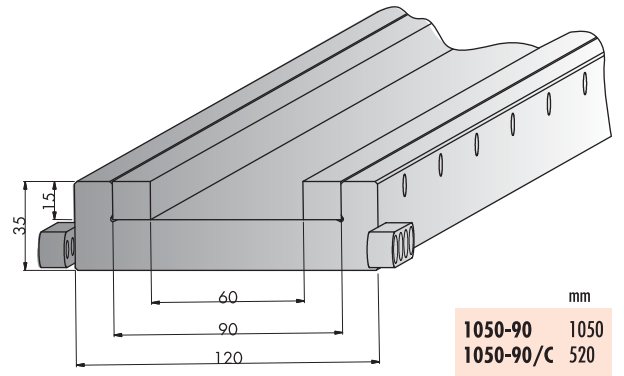
## RKS-04-C1050/R



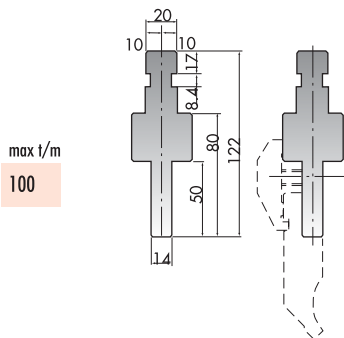
## RKS-04-C1050/RS-1050-520



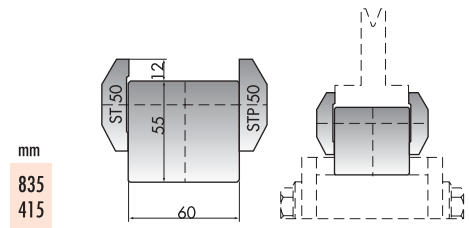
## RKS-04-C 1050-90-1050-520



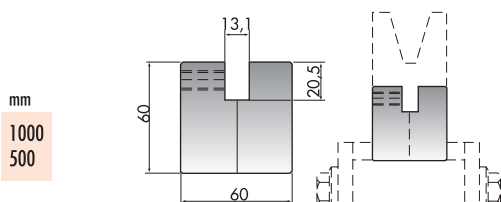
## RKS-04-01-AD14-150



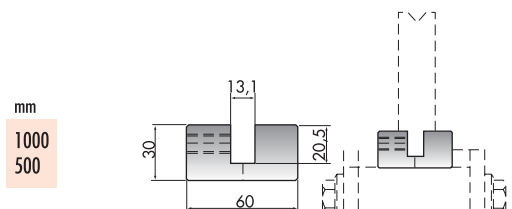
## RKS-04-01-CTS60-835-415



## RKS-04-01-02-03-AD5-500-1000

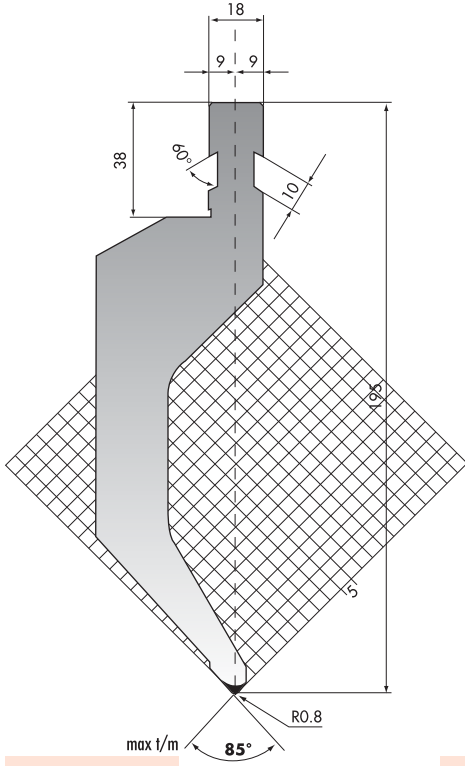


## RKS-04-01-02-03-AD6-500-1000



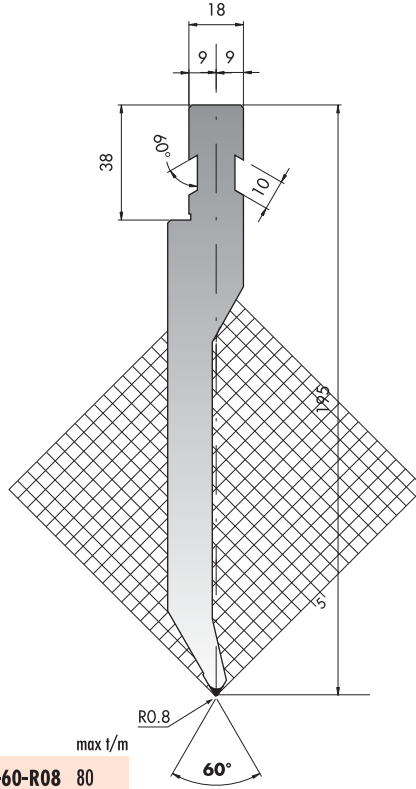
# COLGAR TYPE

RKS-05-PAC195-85-R08-525



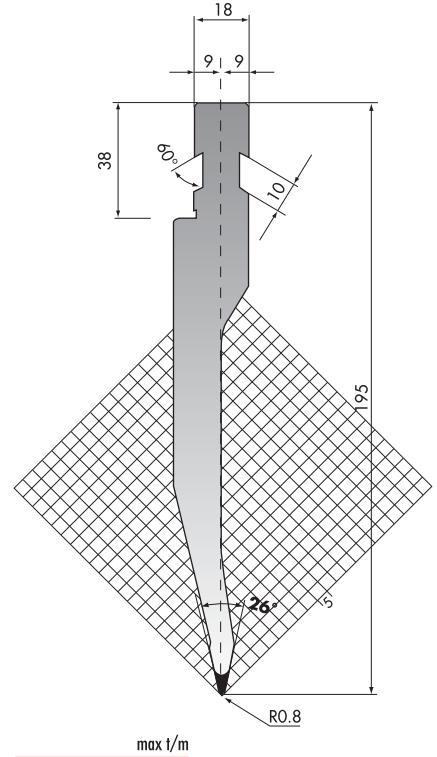
195-85-R08 100

RKS-05-PAC195-60-R08-525



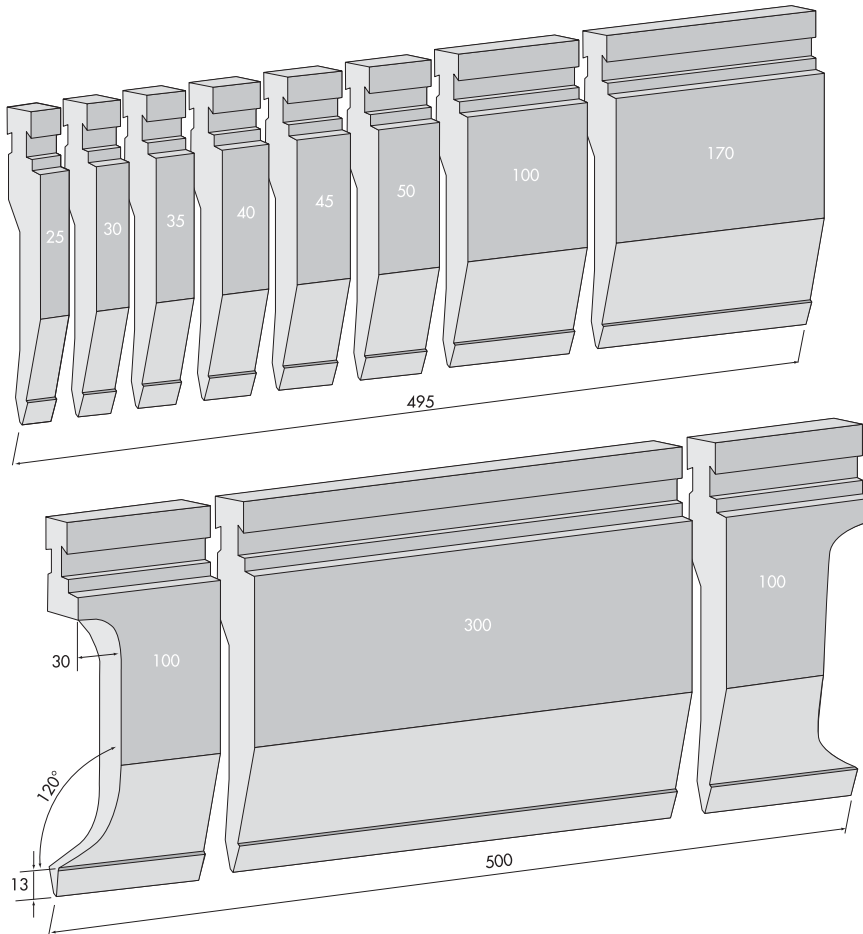
195-60-R08 80

RKS-05-PAC195-26-R08-525



195-26-R08 100

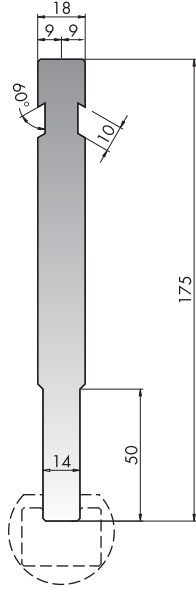
RKS-05-PAC



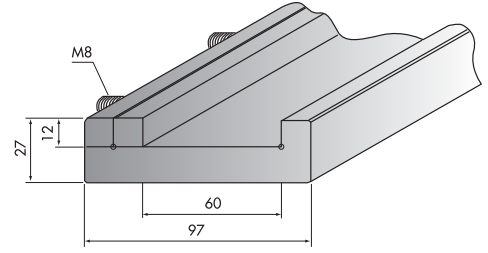


# COLGAR TYPE

RKS-05-PAC175-14-830

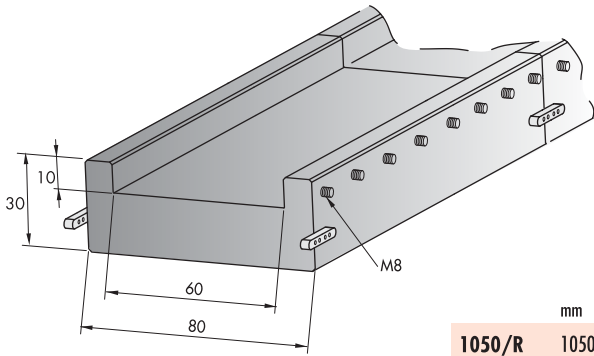


RKS-05-C2000/S C2500/S C3000/S C4000/S



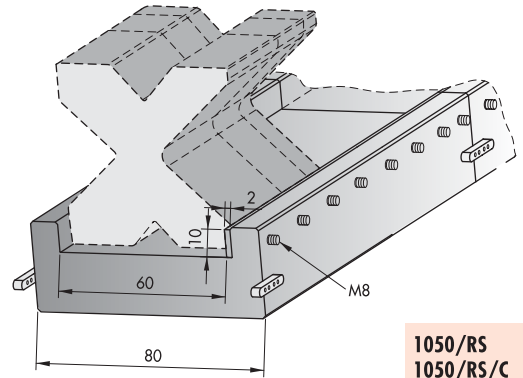
	mm
2000/S	2100
2500/S	2600
3000/S	3100
4000/S	4100

RKS-05-C1050/R-520-1050



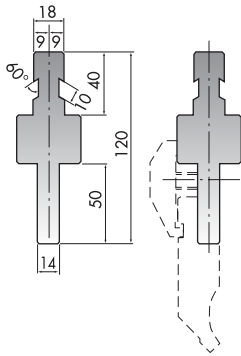
	mm
1050/R	1050
1050/R/C	520

RKS-05-C1050/RS-520-1050



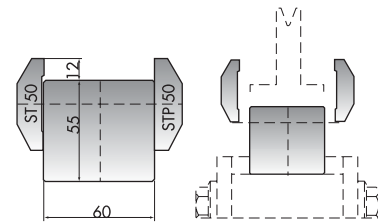
	mm
1050/RS	1050
1050/RS/C	520

RKS-05-01-AD12-150



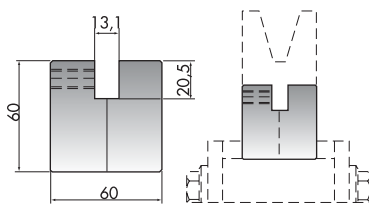
	max t/m
12	100

RKS-05-01-CTS60-835-415



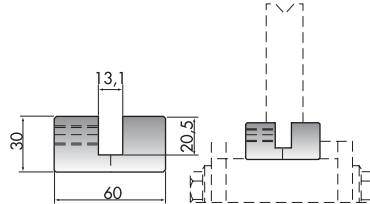
	mm
60	835
60/C	415

RKS-05-01-02-AD5-500-1000



	mm
5	1000
5/C	500

RKS-05-01-02-03-AD6-500-1000

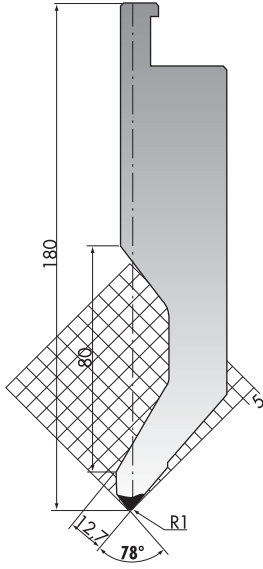


	mm
6	1000
6/C	500

# LVD TYPE

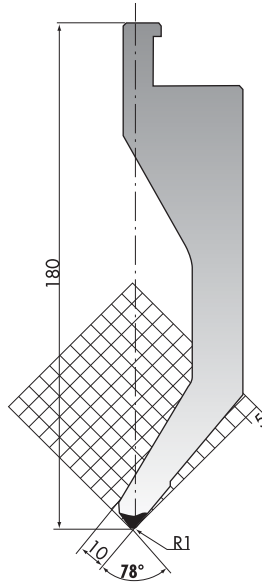
RKS-06-LP-(A-B-C-D)-180-78-R1-A-508

A-180-78-R1-A  
B-180-78-R1-A  
C-180-78-R1-A  
D-180-78-R1-A



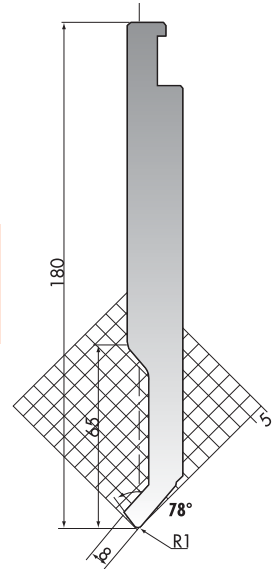
RKS-06-LP-(A-B-C-D)-180-78-B-508

A-180-78-R1-B  
B-180-78-R1-B  
C-180-78-R1-B  
D-180-78-R1-B



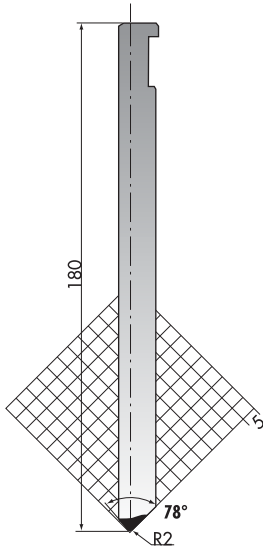
RKS-06-LP-(A-B-C-D)-180-78-R1-C-508

A-80-78-R1-C  
B-180-78-R1-C  
C-180-78-R1-C  
D-180-78-R1-C



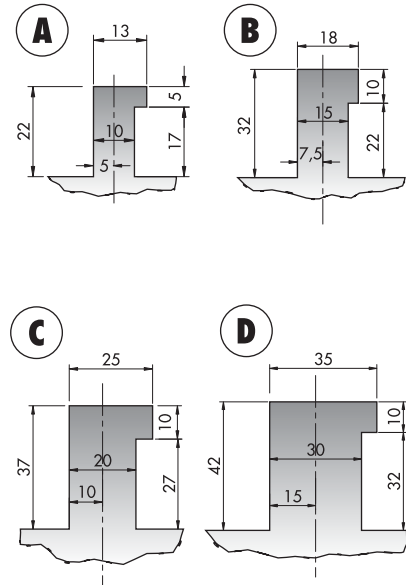
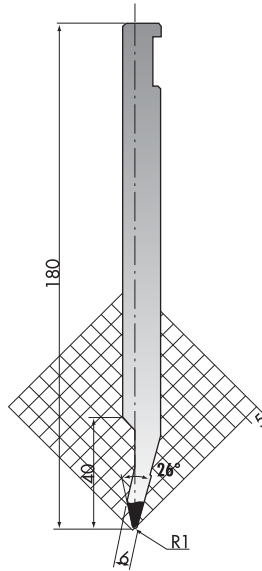
RKS-06-LP-(A-B-C-D)-180-78-R2-508

A-180-78-R2  
B-180-78-R2  
C-180-78-R2  
D-180-78-R2

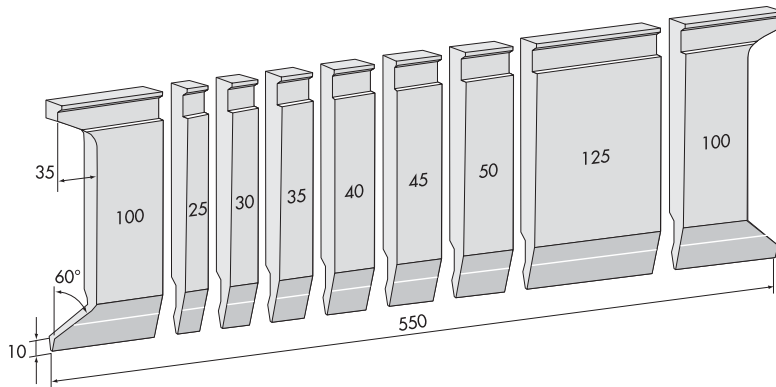


RKS-06-LP-(A-B-C-D)-180-26-R1-508

A-180-26-R1  
B-180-26-R1  
C-180-26-R1  
D-180-26-R1

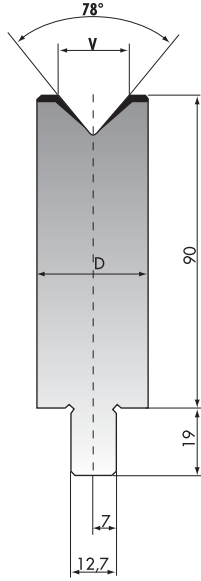


RKS-06-LP



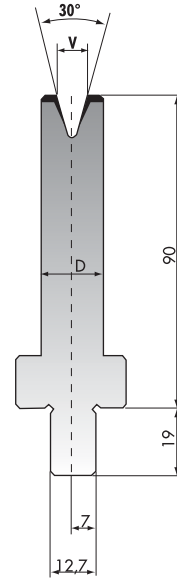
# LVD TYPE

RKS-06-LM90-(06-08-10-12-16-20-24-30-40-50-60-80)-78-508



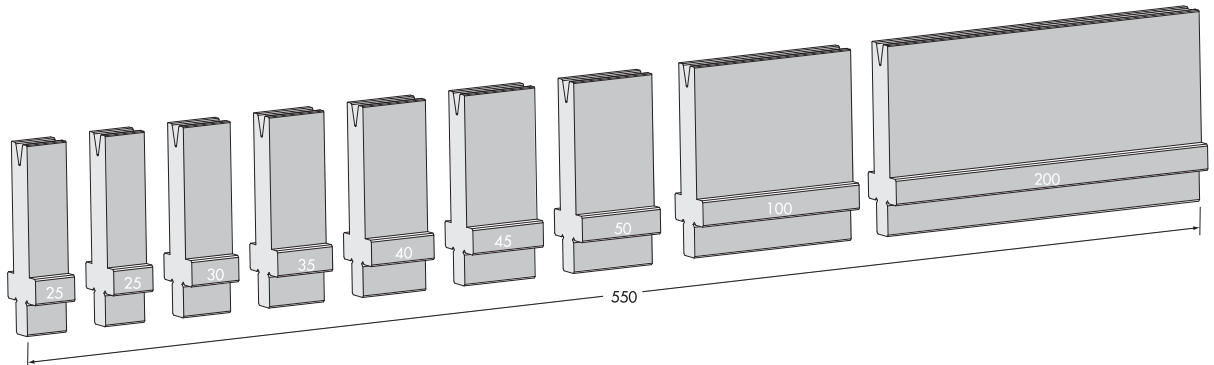
	V mm	D mm	max t/m
06-78	6	12	40
08-78	8	12	40
10-78	10	14	50
12-78	12	18	60
16-78	16	25	80
20-78	20	32	100
24-78	24	32	100
30-78	30	40	110
40-78	40	50	130
50-78	50	60	150
60-78	60	70	150
80-78	80	90	150

RKS-06-LM90-(06-08-10-12-16-20-24)-30-508



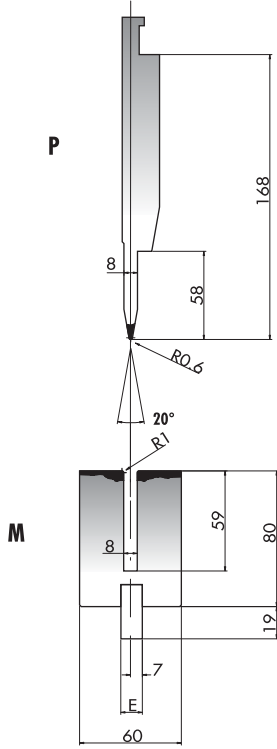
	V mm	D mm	max t/m
06-30	6	16	20
08-30	8	18	22
10-30	10	25	30
12-30	12	32	38
16-30	16	32	38
20-30	20	40	38
24-30	24	50	55

RKS-06-LM



# LVD TYPE

RKS-06-(P+M)-20-525



E mm      max t/m  
A      B

190.20.8-12	A	12		
190.20.8	A		80	100
190.20.8-12	A	12	50	100

190.20.8-12	B	12		
190.20.8	B		80	100
190.20.8-12	B	12	50	100

190.20.8-12	C	12		
190.20.8	C		80	100
190.20.8-12	C	12	50	100

190.20.8-12	D	12		
190.20.8	D		80	100
190.20.8-12	D	12	50	100

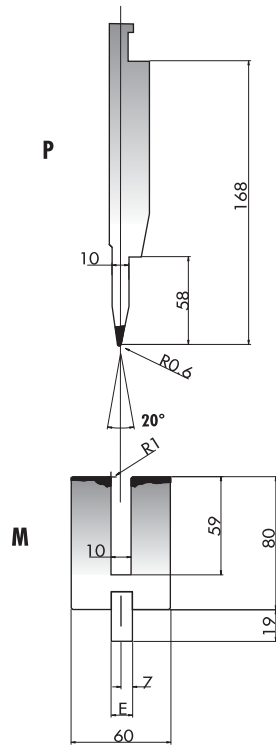
190.20.8-12.7	A	12,7		
190.20.8	A		80	100
190.20.8-12.7	A	12,7	50	100

190.20.8-12.7	B	12,7		
190.20.8	B		80	100
190.20.8-12.7	B	12,7	50	100

190.20.8-12.7	C	12,7		
190.20.8	C		80	100
190.20.8-12.7	C	12,7	50	100

190.20.8-12.7	D	12,7		
190.20.8	D		80	100
190.20.8-12.7	D	12,7	50	100

RKS-06-(P+M)-20-525



E mm      max t/m  
A      B

190.20.10-12	A	12		
190.20.10	A		80	100
190.20.10-12	A	12	50	100

190.20.10-12	B	12		
190.20.10	B		80	100
190.20.10-12	B	12	50	100

190.20.10-12	C	12		
190.20.10	C		80	100
190.20.10-12	C	12	50	100

190.20.10-12	D	12		
190.20.10	D		80	100
190.20.10-12	D	12	50	100

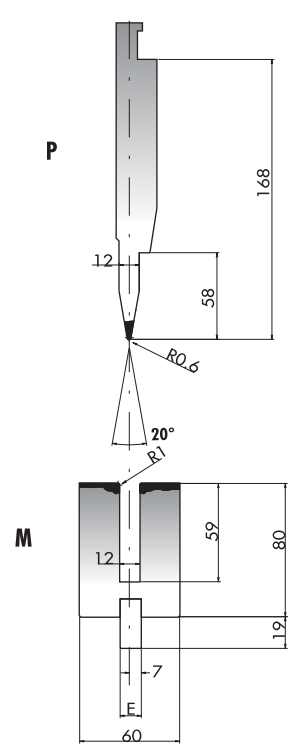
190.20.10-12.7	A	12,7		
190.20.10	A		80	100
190.20.10-12.7	A	12,7	50	100

190.20.10-12.7	B	12,7		
190.20.10	B		80	100
190.20.10-12.7	B	12,7	50	100

190.20.10-12.7	C	12,7		
190.20.10	C		80	100
190.20.10-12.7	C	12,7	50	100

190.20.10-12.7	D	12,7		
190.20.10	D		80	100
190.20.10-12.7	D	12,7	50	100

RKS-06-(P+M)-20-525



E mm      max t/m  
A      B

190.20.12-12	A	12		
190.20.12	A		80	100
190.20.12-12	A	12	50	100

190.20.12-12	B	12		
190.20.12	B		80	100
190.20.12-12	B	12	50	100

190.20.12-12	C	12		
190.20.12	C		80	100
190.20.12-12	C	12	50	100

190.20.12-12	D	12		
190.20.12	D		80	100
190.20.12-12	D	12	50	100

190.20.12-12.7	A	12,7		
190.20.12	A		80	100
190.20.12-12.7	A	12,7	50	100

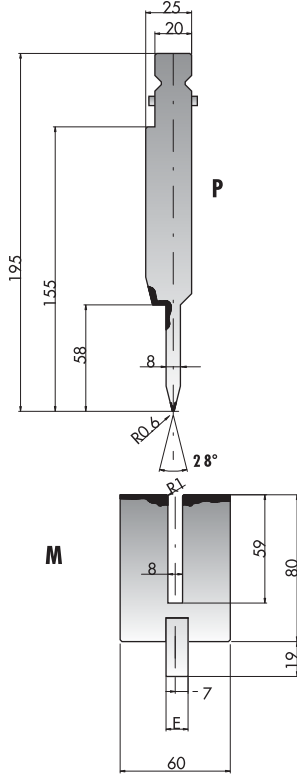
190.20.12-12.7	B	12,7		
190.20.12	B		80	100
190.20.12-12.7	B	12,7	50	100

190.20.12-12.7	C	12,7		
190.20.12	C		80	100
190.20.12-12.7	C	12,7	50	100

190.20.12-12.7	D	12,7		
190.20.12	D		80	100
190.20.12-12.7	D	12,7	50	100

# LVD-WILA TYPE

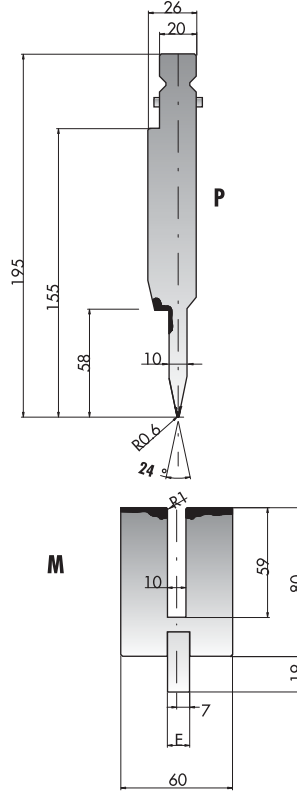
RKS-06-LPR.S-195.28.8-525



E mm      max t/m  
            A      B

195.28.8-12	12		
195.28.8		80	100
195.28.8-12	12	50	100
195.28.8-12.7	12,7		
195.28.8		80	100
195.28.8-12.7	12,7	50	100

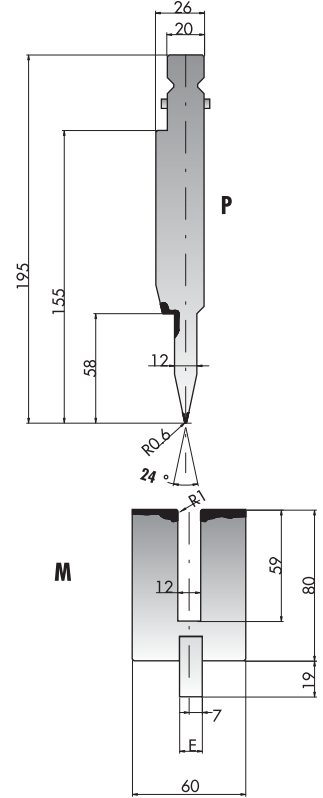
RKS-06-LPR.S-195.24.10-525



E mm      max t/m  
            A      B

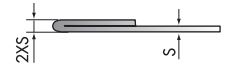
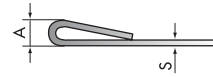
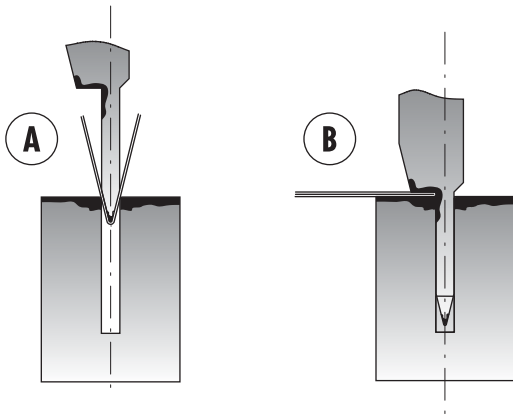
195.24.10-12	12		
195.24.10		80	100
195.24.10-12	12	50	100
195.24.10-12.7	12,7		
195.24.10		80	100
195.24.10-12.7	12,7	50	100

RKS-06-LPR.S-195.24.12-525



E mm      max t/m  
            A      B

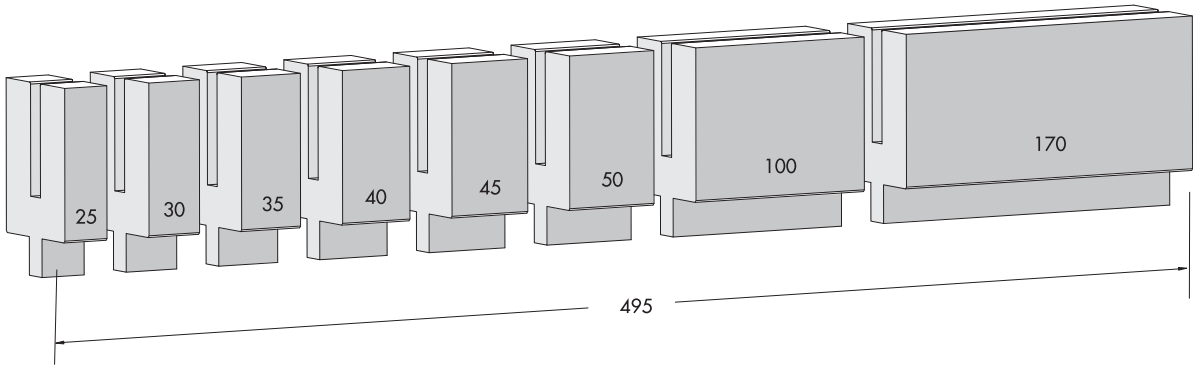
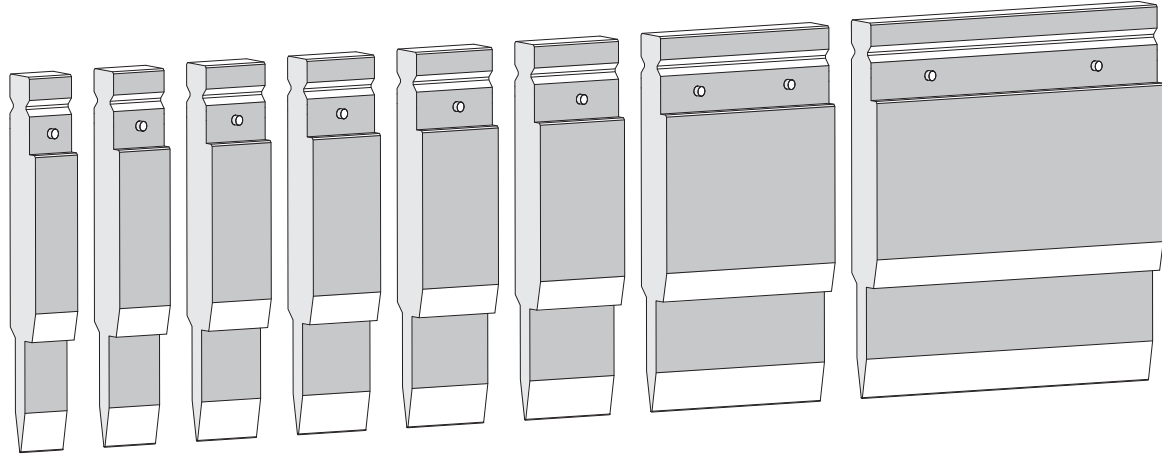
195.24.12-12	12		
195.24.12		80	100
195.24.12-12	12	12	100
195.24.12-12.7	12,7		
195.24.12		80	100
195.24.12-12.7	12,7	50	100



S	A	R.45 Kgf/mm <sup>2</sup>	R.70 Kgf/mm <sup>2</sup>
mm	mm	t/m	t/m
0,6	3,0	9	15
0,8	3,0	12	20
1,0	3,5	15	25
1,25	3,5	17	26
1,5	4,6	22	38
2,0	5,5	30	50

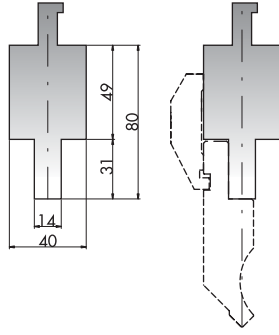
S	A	R.45 Kgf/mm <sup>2</sup>	R.70 Kgf/mm <sup>2</sup>
mm	mm	t/m	t/m
0,6	1,2	23	35
0,8	1,6	32	50
1,0	2,0	40	60
1,25	2,5	50	80
1,5	3,0	63	95
2,0	4,0	80	130

# LVD-WILA TYPE

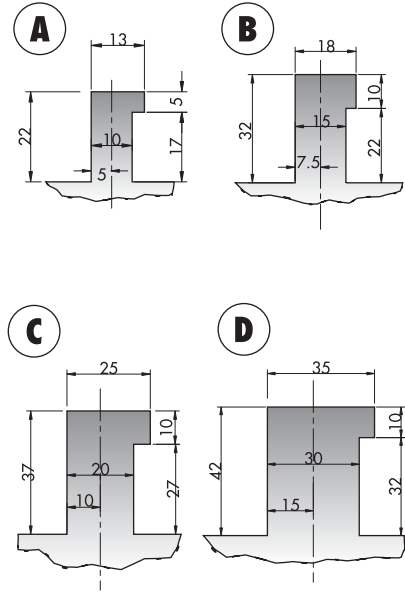


# LVD-WILA TYPE

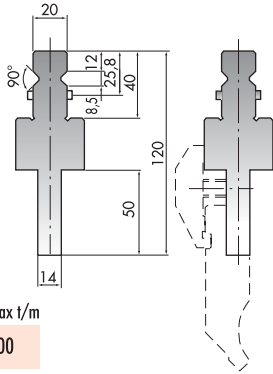
RKS-06-01-AD1-(A-B-C-D)-150



	max t/m
A	100
B	100
C	100
D	100

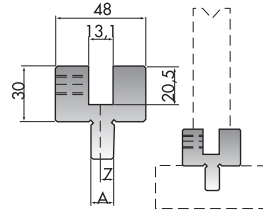


RKS-06-02-01-AD11-150



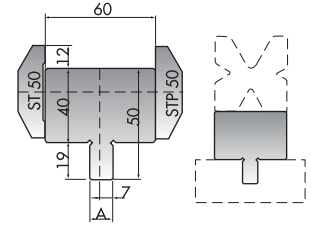
	max t/m
11	100

RKS-06-02-03-AD8-500-1000



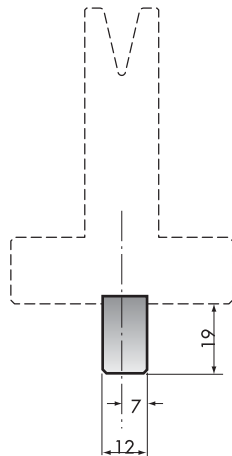
	A mm
8	12
8-12.7	12,7

RKS-06-01-AD9-835-415



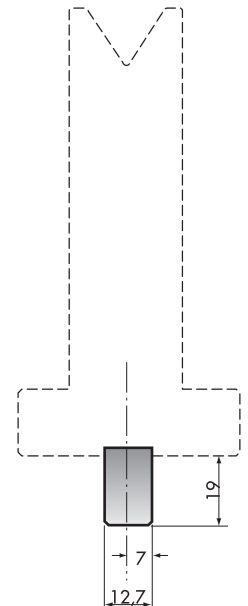
	A mm
9	12
9-12.7	12,7

RKS-06-01-A31-835-415-805



	mm
31	835
31/C	415
31/F	805

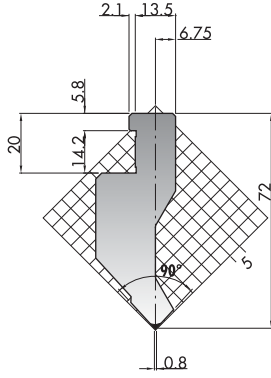
RKS-06-01-A32-835-415-805



	mm
32	835
32/C	415
32/F	805

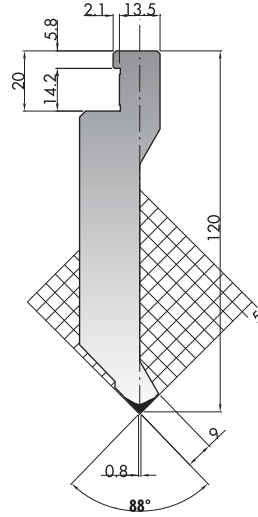
# COLLY TYPE

RKS-07-CP72-90-08-1020



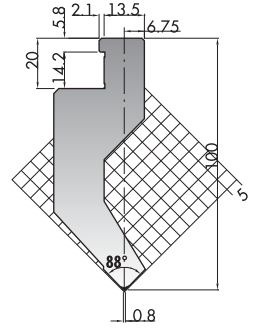
72-90-08

RKS-07-CP120-88-08-1020



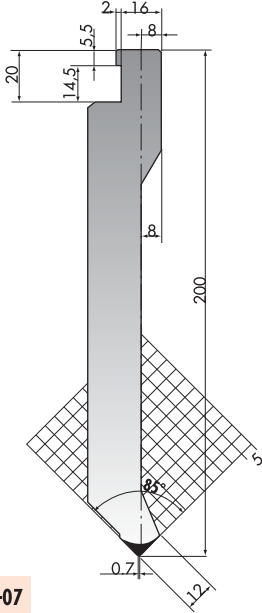
120-88-08

RKS-07-CP100-88-08-A-1020



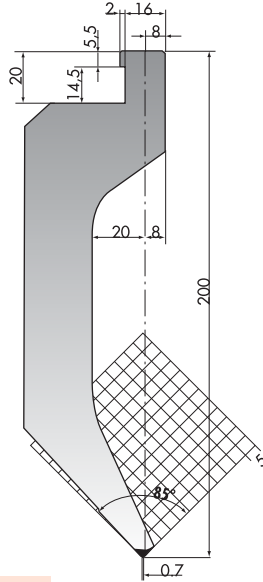
120-88-08-A

RKS-07-CP200-85-07-1020



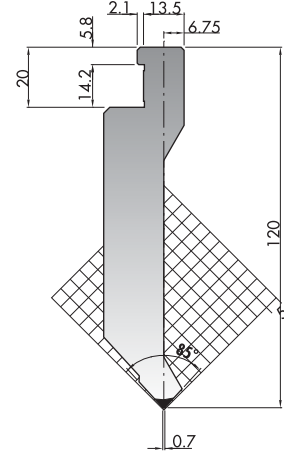
200-85-07

RKS-07-CP200-85-07-A-1020



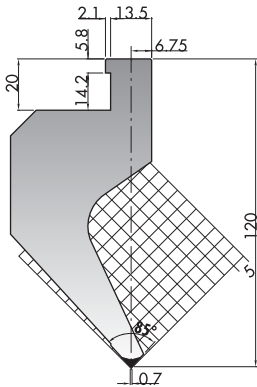
200-85-07-A

RKS-07-CP120-85-07-1020



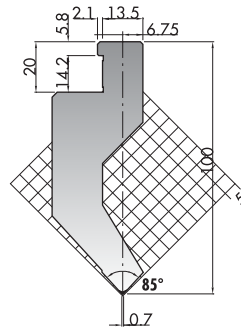
120-85-07

RKS-07-CP120-85-07-A-1020



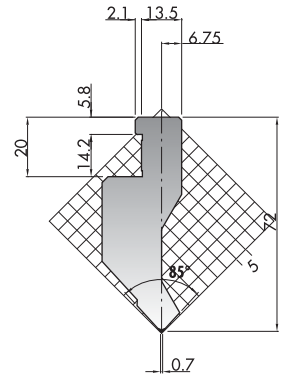
120-85-07-A

RKS-07-CP100-85-07-A-1020



100-85-07-A

RKS-07-CP72-85-07-1020

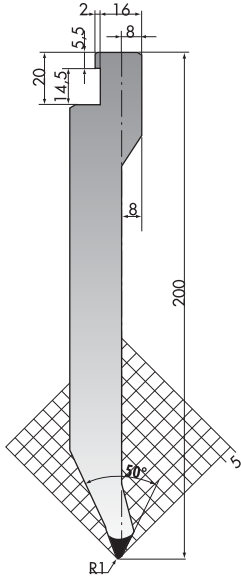


72-85-07



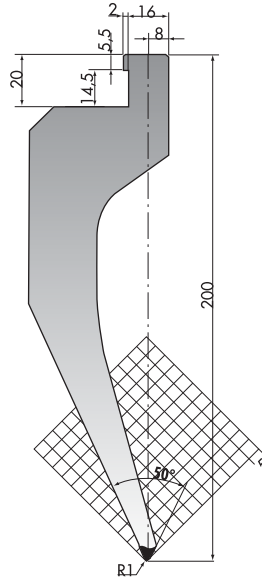
# COLLY TYPE

RKS-07-CP200-50-R1-1020



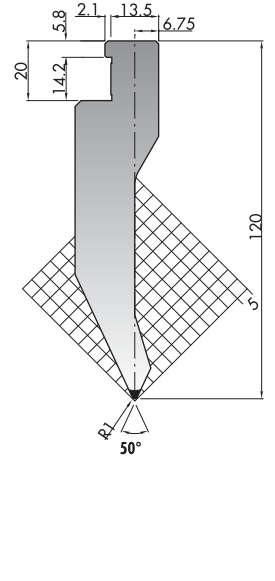
200-50-R1

RKS-07-CP200-50-R1-A-1020



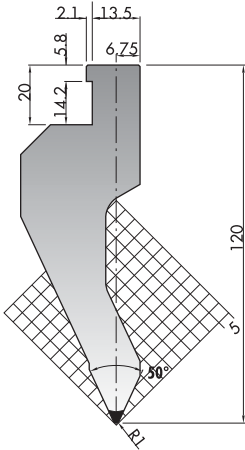
200-50-R1-A

RKS-07-CP120-50-R1-1020



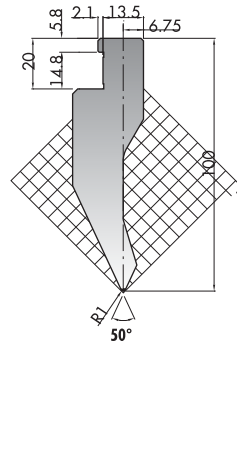
120-50-R1

RKS-07-CP120-50-R1-A-1020



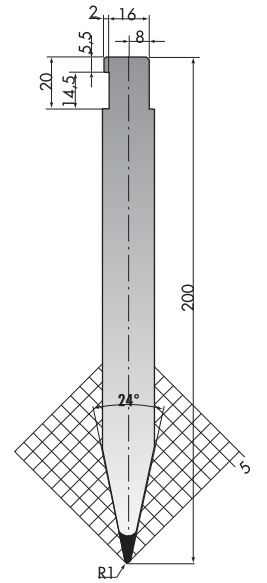
120-50-R1-A

RKS-07-CP100-50-R1-1020



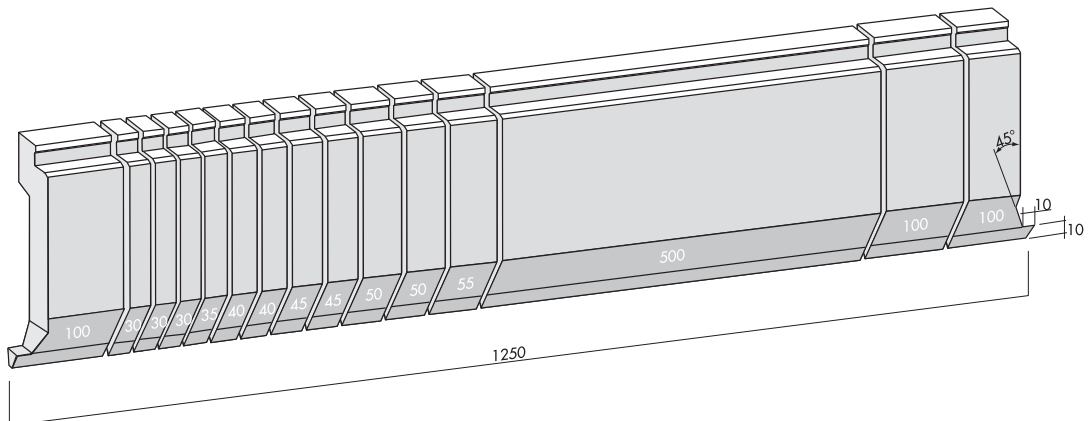
100-50-R1

RKS-07-CP200-24-R1-1020



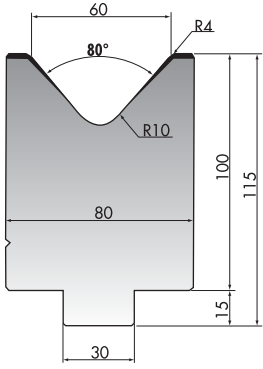
200-24-R1

RKS-07-CP



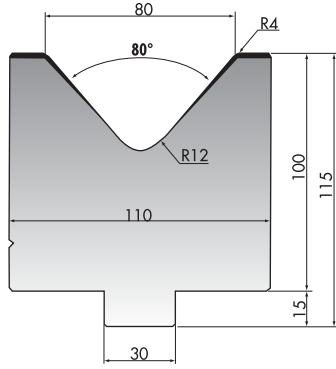
# COLLY TYPE

RKS-07-M115-80-60-1020



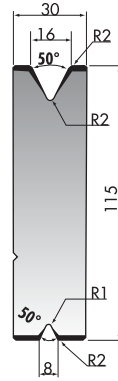
80-60

RKS-07-M115-80-80-1020



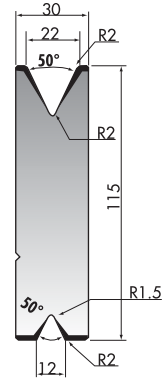
80-80

RKS-07-M115-50-16-1020



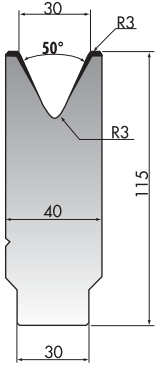
50-16

RKS-07-M115-50-22-1020



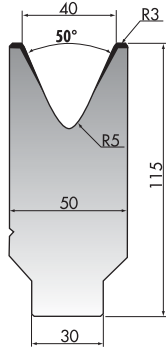
50-22

RKS-07-M115-50-30-1020



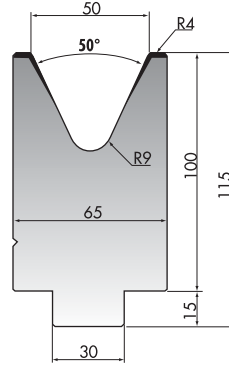
50-30

RKS-07-M115-50-40-1020



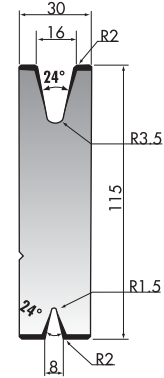
50-40

RKS-07-M115-50-50-1020



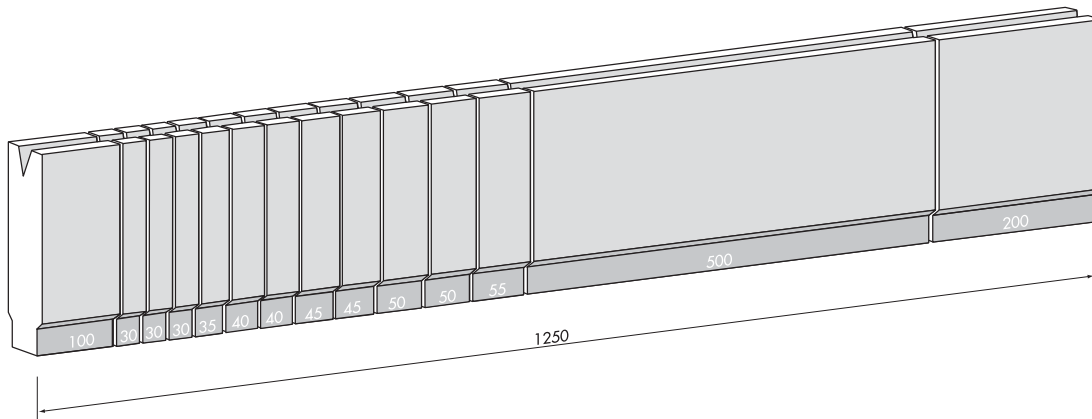
50-50

RKS-07-M115-24-16-1020



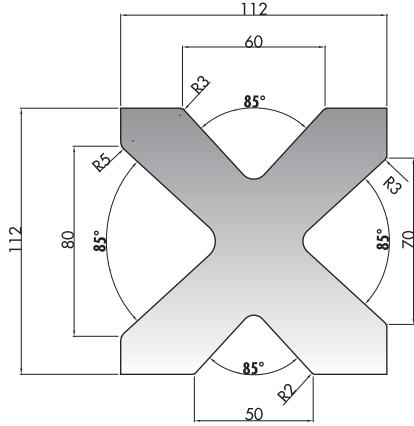
24-16

RKS-07-M115



# COLLY TYPE

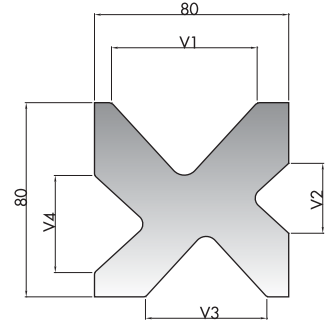
## RKS-07-MC112-3050



### 112-3050

	V1	V2	V3	V4
V mm	60	70	50	80
A	85°	85°	85°	85°
R mm	3	3	2	5

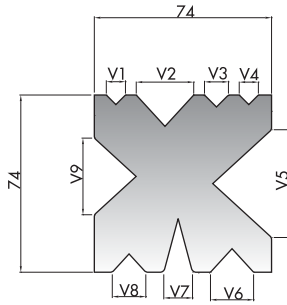
## RKS-07-MC80-2050-3050



### 80-2050 / 80-3050

	V1	V2	V3	V4
V mm	60	30	50	40
A	85°	85°	85°	85°
R mm	3	1	2	2

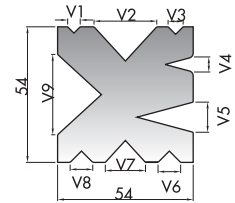
## RKS-07-MC74-2050-3050



### 74-2050 / 74-3050

	V1	V2	V3	V4	V5	V6	V7	V8	V9
V mm	8	24	10	8	45	18	12	14	32
A	90°	85°	90°	90°	85°	85°	30°	85°	85°
R mm	0,8	0,8	2	0,8	2	1	2	2	2

## RKS-07-MC54-2050-3050

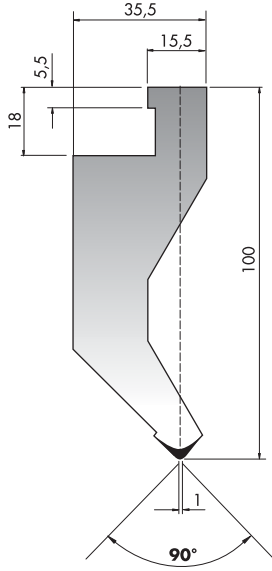


### 54-2050 / 54-3050

	V1	V2	V3	V4	V5	V6	V7	V8	V9
V mm	5	25	6	6	12	9	16	9	32
A	90°	85°	90°	30°	30°	90°	85°	90°	85°
R mm	0,5	1	0,5	2	0,5	1	0,5	1,5	1

# AJIAL-AXIAL TYPE

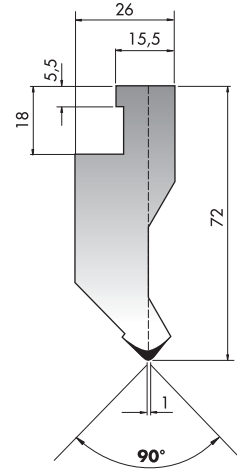
RKS-08-AXP.100.90.1-1020



max t/m

100.90.1 100

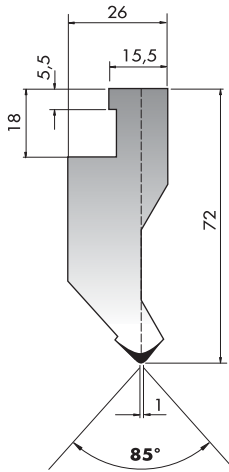
RKS-08-AXP.72.90.1-1020



max t/m

72.90.1 100

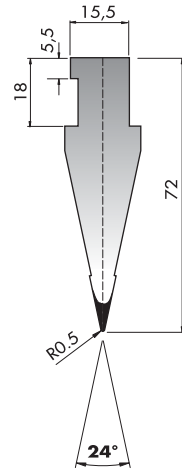
RKS-08-AXP.72.85.1-1020



max t/m

72.85.1 100

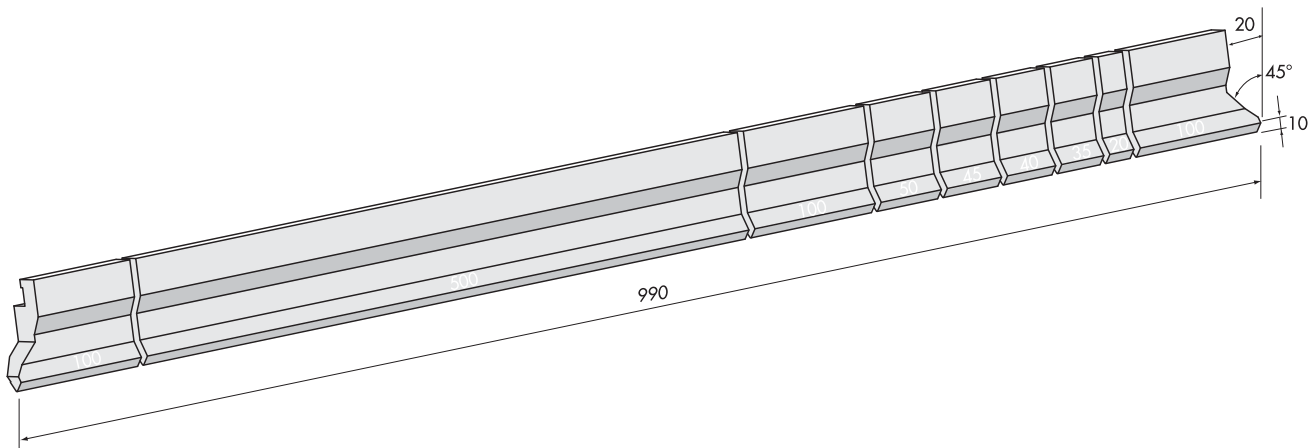
RKS-08-AXP.72.24.R05-1020



max t/m

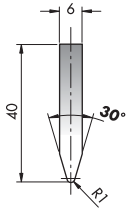
72.24.R05 100

RKS-08-AXP



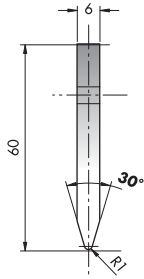
# HÄMMERLE - BYSTRONIC TYPE

RKS-09-H11-10-30



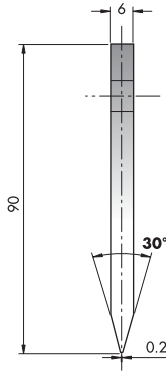
max t/m  
10 60

RKS-09-H11-7-30



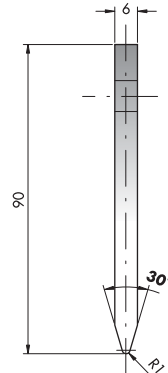
max t/m  
7 100

RKS-09-H11-2-30



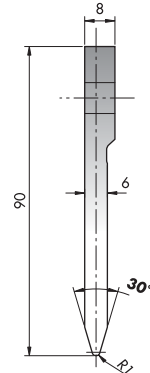
max t/m  
2 100

RKS-09-H11-1-30



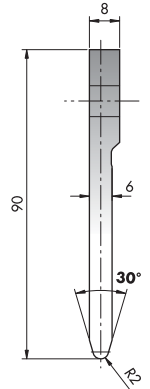
max t/m  
1 100

RKS-09-H11-8-30



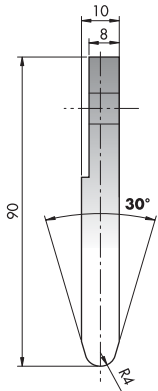
max t/m  
8 100

RKS-09-H11-6-30



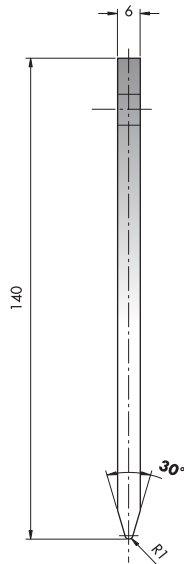
max t/m  
6 100

RKS-09-H11-34-30



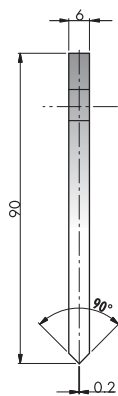
max t/m  
34 100

RKS-H11-3-30



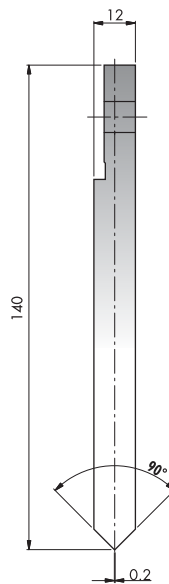
max t/m  
3 100

RKS-09-H11-5-90



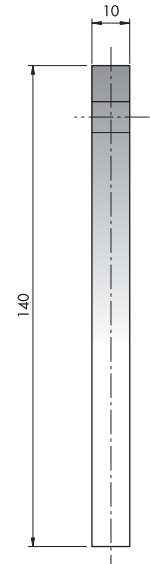
max t/m  
5 100

RKS-09-H11-9-90



max t/m  
9 100

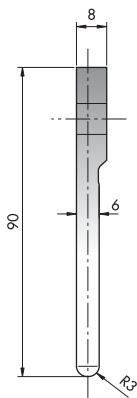
RKS-09-H14-21-90



max t/m  
21 100

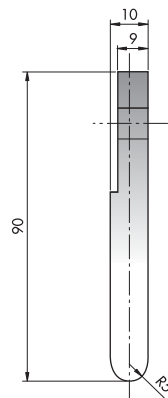
L	
1.01	100
2.01	50
2.02	55
2.03	60
2.04	65
2.05	70
2.06	75
2.07	80
2.08	85
2.09	90
2.10	95
4.01	75 DX
4.02	85 DX
4.03	95 DX
4.04	105 DX
4.05	115 DX
4.06	80 SX
5.01	75 SX
5.02	85 SX
5.03	95 SX
5.04	105 SX
5.05	115 SX
5.06	80 DX

H11-33-1



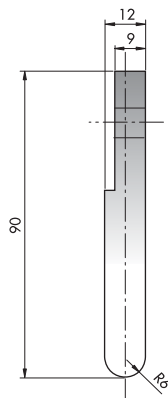
max t/m  
31-1 100

H11-35

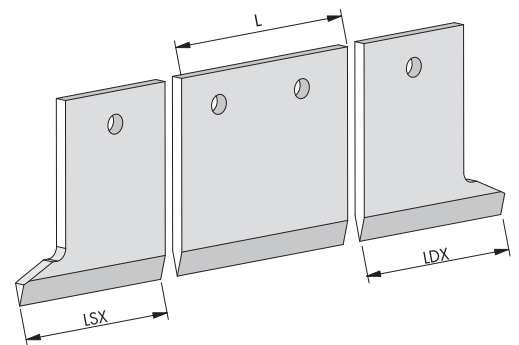


max t/m  
35-1 100

RKS-09-H11-36

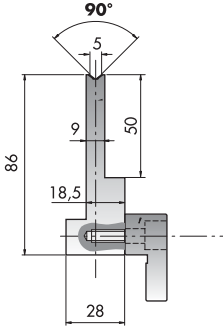


max t/m  
36 100



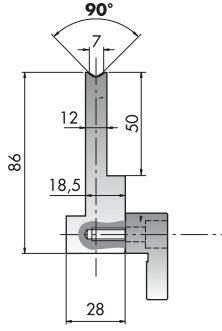
# HÄMMERLE - BYSTRONIC TYPE

RKS-09-H41-5-90



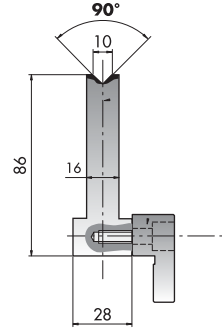
max t/m  
41-5 100

RKS-09-H41-7-90



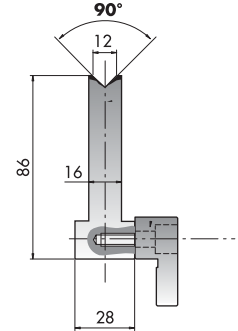
max t/m  
41-7 100

RKS-09-H41-10-90



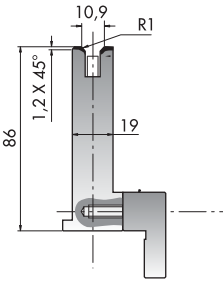
max t/m  
41-10 100

RKS-09-H41-12-90



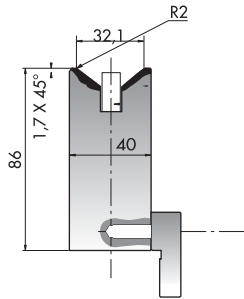
max t/m  
41-12 100

RKS-09-H31-10-2



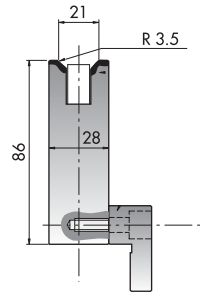
max t/m  
10-2 55

RKS-09-H31-32-1



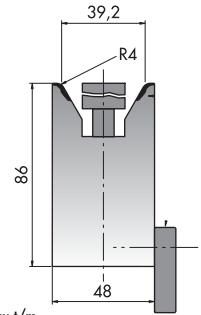
max t/m  
32-1 120

RKS-09-H31-21



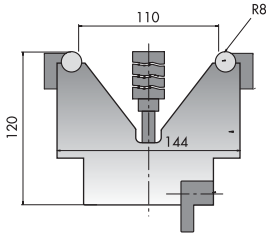
max t/m  
21 50

RKS-09-H31-40-1



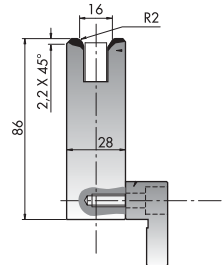
max t/m  
40-1 75

RKS-09-H31-110



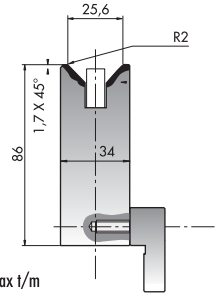
max t/m  
110 150

RKS-09-H31-16



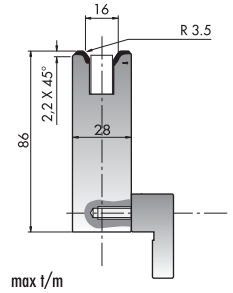
max t/m  
16 50

RKS-09-H31-24



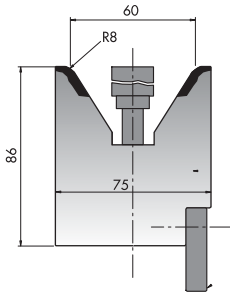
max t/m  
24 75

RKS-09-H31-16-1



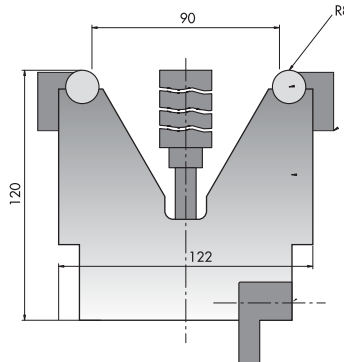
max t/m  
16-1 50

RKS-09-H31-60



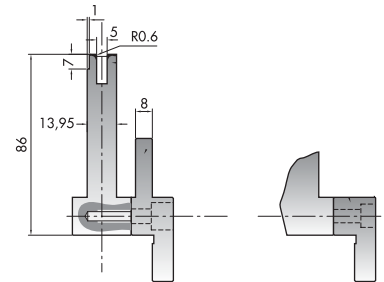
max t/m  
60 150

RKS-09-H31-90



max t/m  
90 150

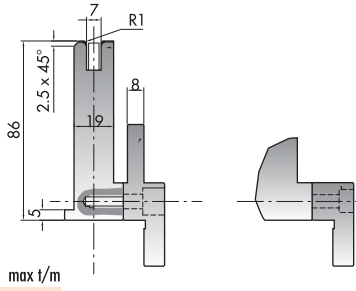
RKS-09-H31-5



max t/m  
5 25

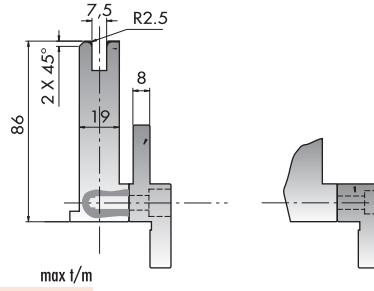
# HÄMMERLE - BYSTRONIC TYPE

**RKS-09-H31-7**



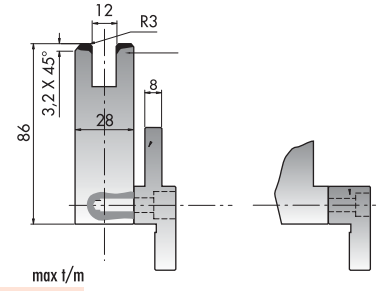
max t/m  
**7 50**

**RKS-09-H31-7-2**



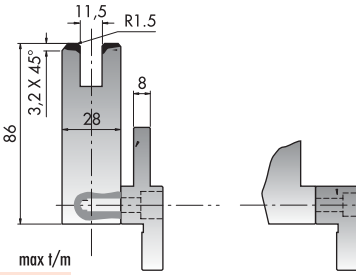
max t/m  
**7-2 50**

**RKS-09-H31-13**



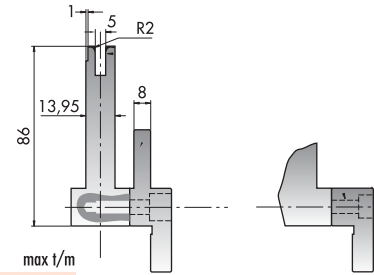
max t/m  
**13 50**

**RKS-09-H31-12**

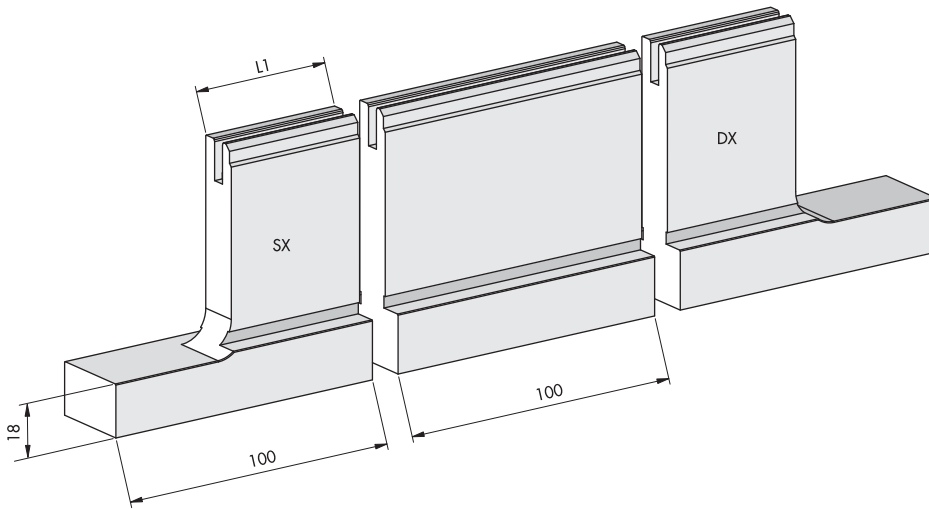


max t/m  
**12 50**

**RKS-09-H31-6**

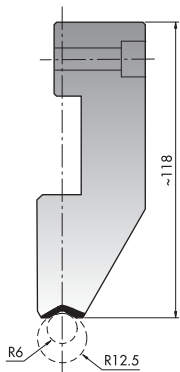


max t/m  
**6 35**



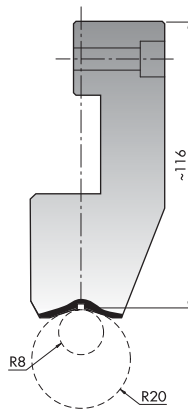
	L	L1
1.01	100	
3.06		50 SX
2.01		55 DX
2.02		60 DX
2.03		65 DX
2.04		70 DX
2.05		75 DX
2.06		80 DX
2.07		85 DX
2.08		90 DX
2.09		95 DX
2.10		50 DX
3.01		55 SX
3.02		60 SX
3.03		65 SX
3.04		70 SX
3.05		75 SX
3.07		80 SX
3.08		85 SX
3.09		90 SX
3.10		95 SX

**RKS-09-H22-13**



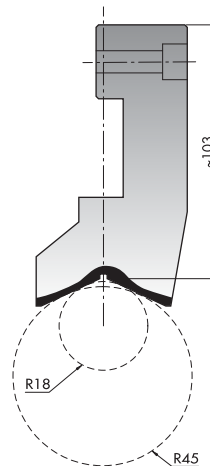
max t/m  
**13 100**

**RKS-09-H22-14**



max t/m  
**14 100**

**RKS-09-H22-15**

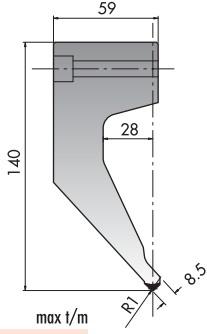


max t/m  
**15 100**

	L
1.01	100
2.01	50
2.02	55
2.03	60
2.04	65
2.05	70
2.06	75
2.07	80
2.08	85
2.09	90
2.10	95

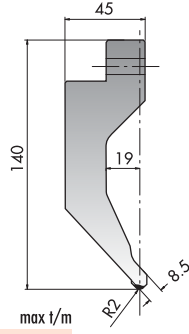
# HÄMMERLE - BYSTRONIC TYPE

RKS-09-H12-14



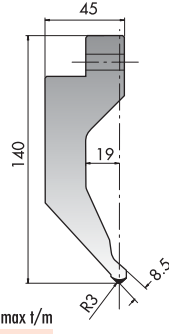
12-14 97,5

RKS-09-H12-52



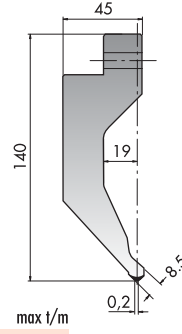
12-52 97,5

RKS-09-H12-53

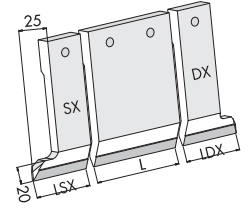


12-53 97,5

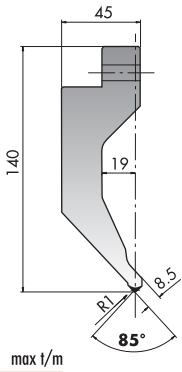
RKS-09-H12-19



12-19 97,5

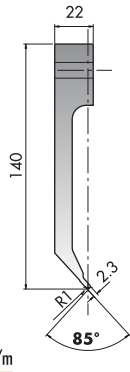


RKS-09-H12-15-85



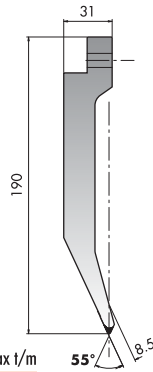
12-14 97,5

RKS-09-H12-25-85



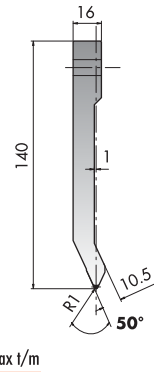
12-52 25

RKS-09-H12-17-55



12-53 75

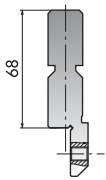
RKS-09-H12-65-50



12-19 100

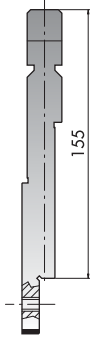
	L
1.01	100
2.01	50
2.02	55
2.03	60
2.04	65
2.05	70
2.06	75
2.07	80
2.08	85
2.09	90
2.10	95
4.01	75 DX
4.02	85 DX
4.03	95 DX
4.04	105 DX
4.05	115 DX
4.06	80 SX
5.01	75 SX
5.02	85 SX
5.03	95 SX
5.04	105 SX
5.05	115 SX
5.06	80 DX

RKS-09-H21-3



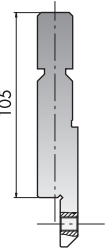
21-3 100

RKS-09-H21-2



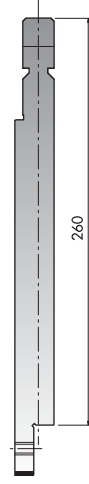
21-2 100

RKS-09-H21-4



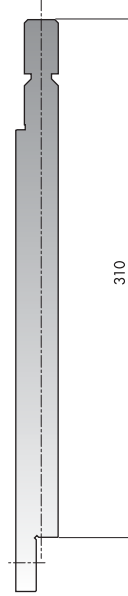
21-4 100

RKS-09-H21-5



12-5 100

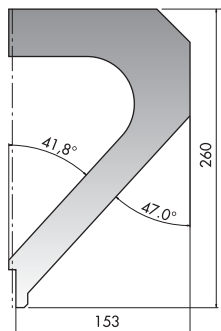
RKS-09-H21-10



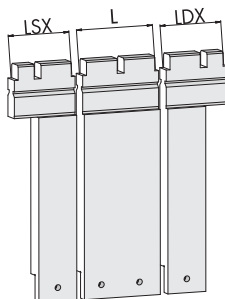
12-10 100

	L
1.01	100
1.03	200
2.01	50
2.02	55
2.03	60
2.04	65
2.05	70
2.06	75
2.07	80
2.08	85
2.09	90
2.10	95
4.01	75 DX
4.02	85 DX
4.03	95 DX
4.04	105 DX
4.05	115 DX
4.06	80 SX
5.01	75 SX
5.02	85 SX
5.03	95 SX
5.04	105 SX
5.05	115 SX
5.06	80 DX

RKS-09-H22-6



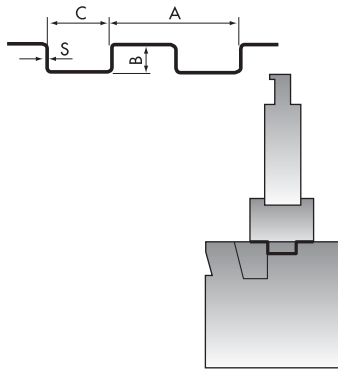
22-6 60





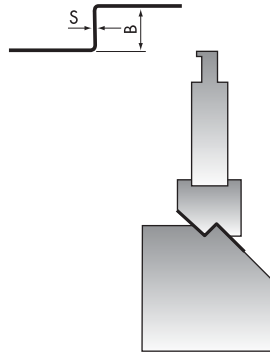
# SPECIAL TOOLS

RKS-SP-SPE-1



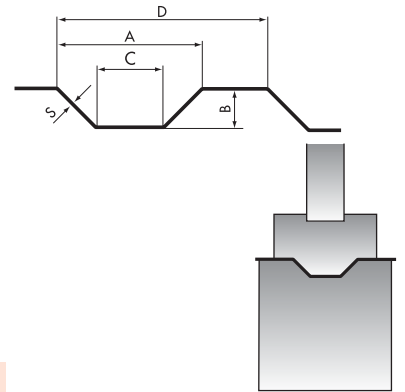
1

RKS-SP-SPE-2



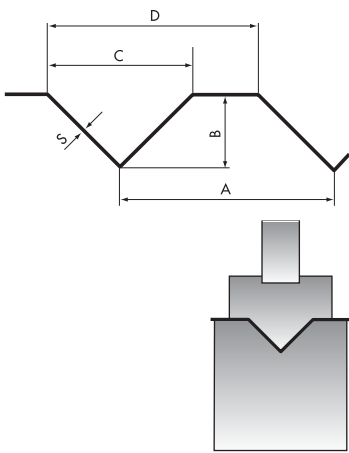
2

RKS-SP-SPE-3



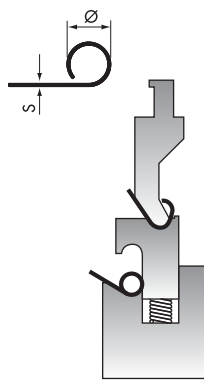
3

RKS-SP-SPE-4



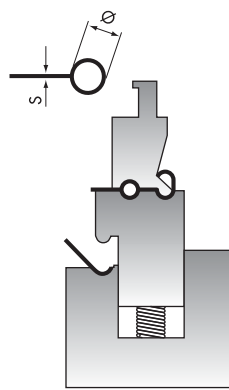
4

RKS-SP-SPE-5



5

RKS-SP-SPE-6



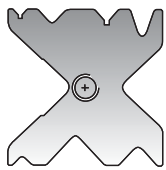
6

RKS-SP-SPE-7



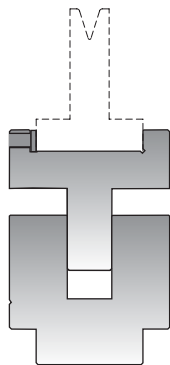
7

RKS-SP-SPE-8



8

RKS-SP-SPE-9



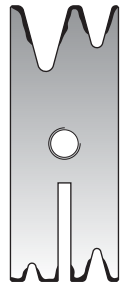
9

RKS-SP-SPE-10



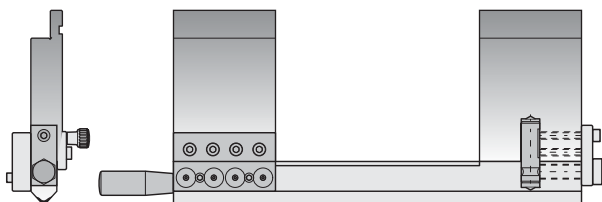
10

RKS-SP-SPE-11



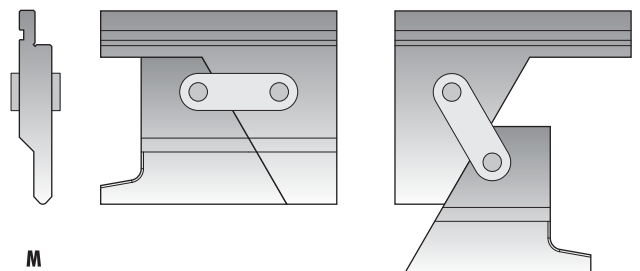
11

RKS-SP-SPE-12



12

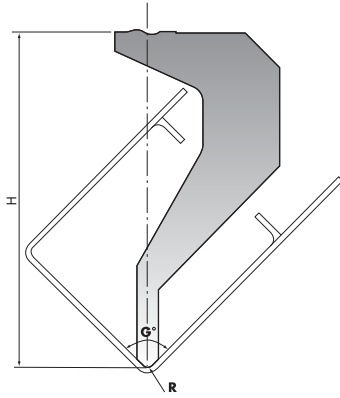
RKS-SP-SCA-M



M

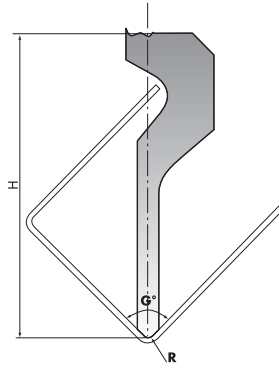
# SPECIAL TOOLS

RKS-SP-SPE-P1



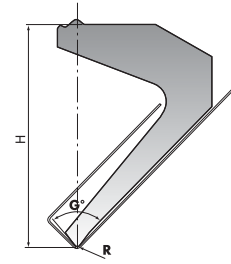
1

RKS-SP-SPE-P2

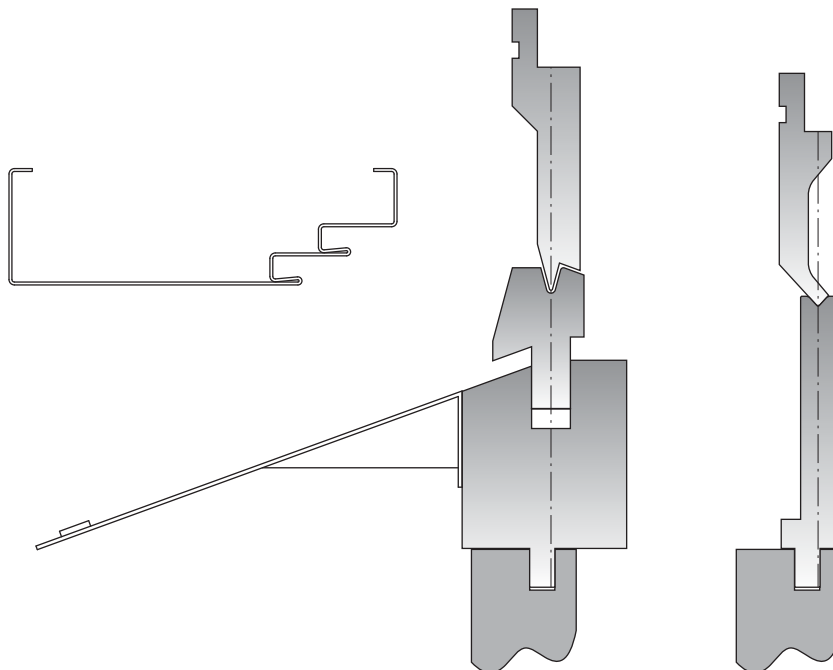
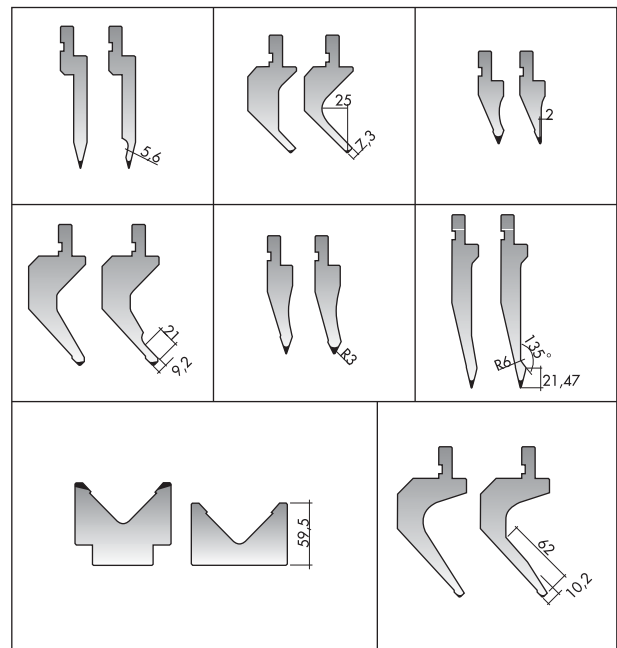
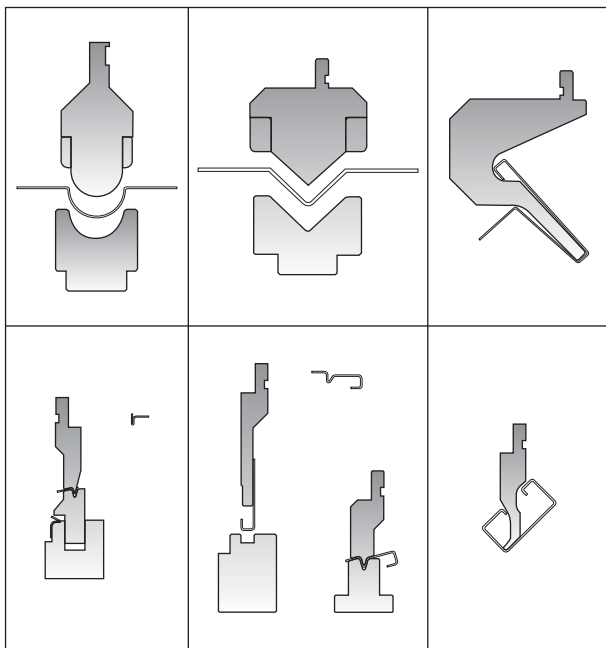


2

RKS-SP-SPE-P3

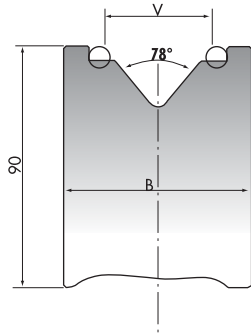


3



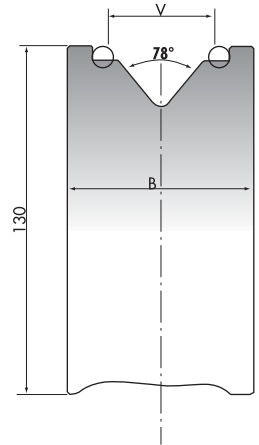
## RKS-SP-MR90-(20-24-30-40-50-60-70)-78-835

	V mm	B mm	C mm
20-78	20	45	6
24-78	24	49	6
30-78	30	60	8
40-78	40	70	8
50-78	50	84	10
60-78	60	94	10
70-78	70	104	10

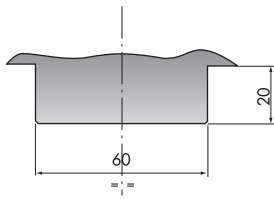


## RKS-SP-MR130-(20-24-30-40-50-60-75-80-90-100-120)-78-835

	V mm	B mm	C mm
20-78	20	45	6
24-78	24	49	6
30-78	30	60	8
40-78	40	70	8
50-78	50	84	10
60-78	60	94	10
75-78	75	118	16
80-78	80	123	16
90-78	90	133	16
100-78	100	143	16
120-78	120	163	16

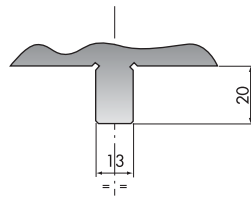


## RKS-SP-A10



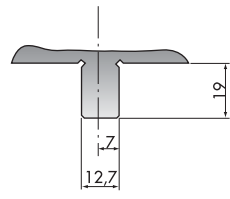
10

## RKS-SP-A11

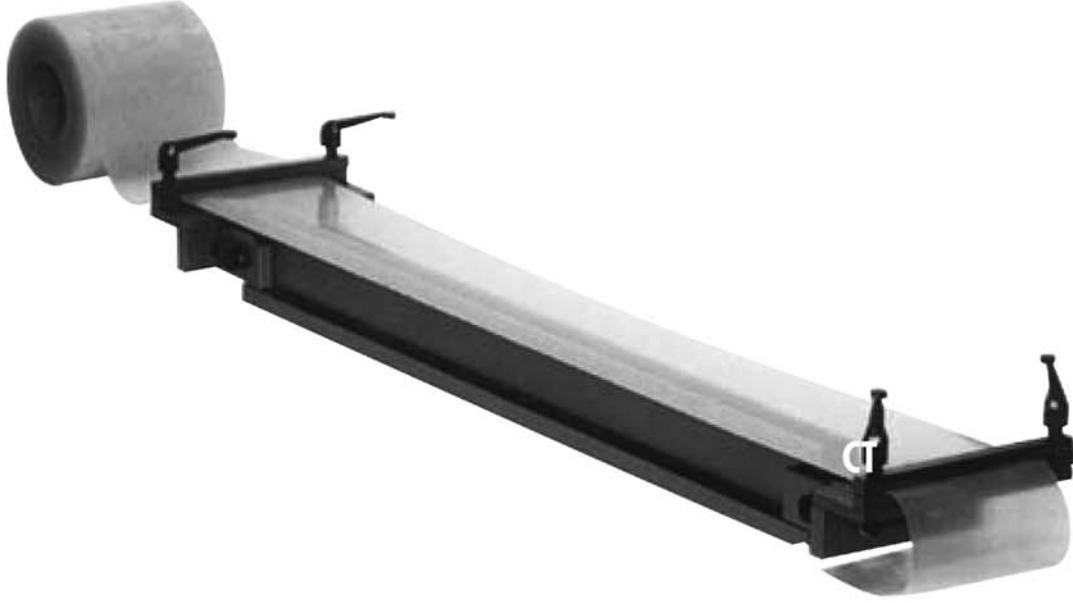


11

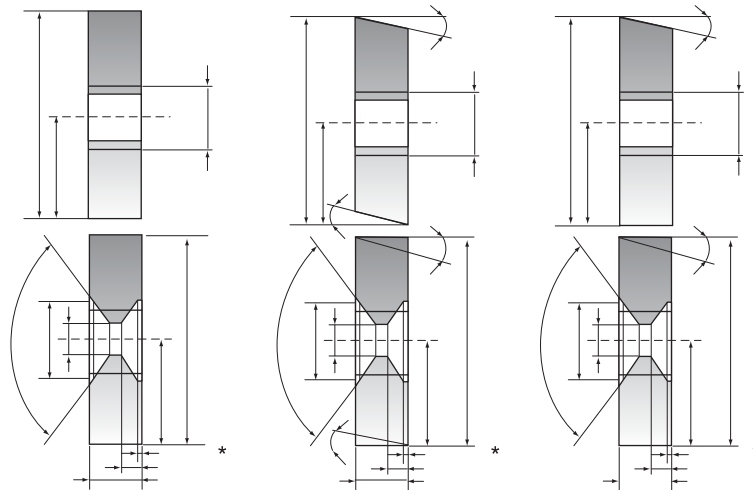
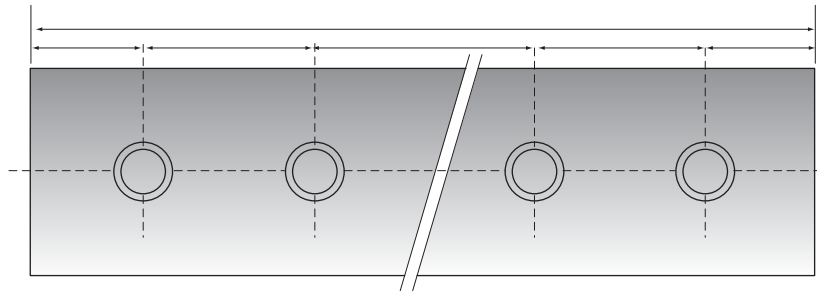
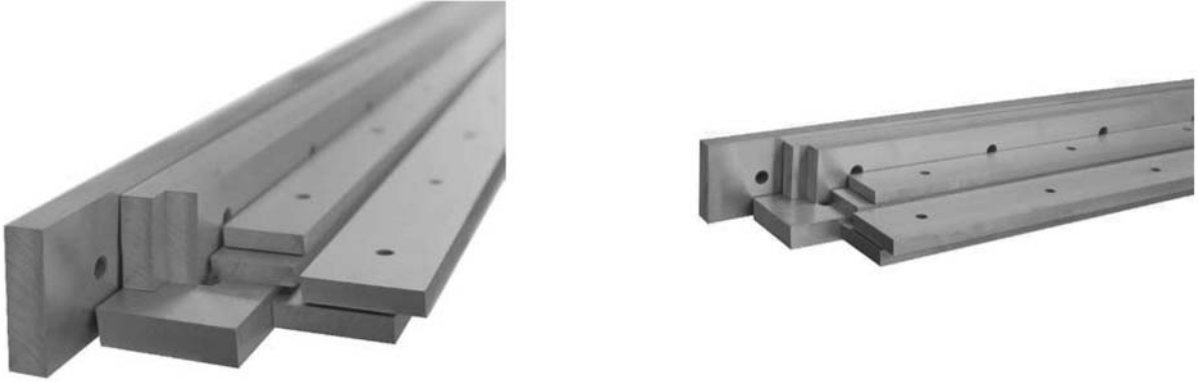
## RKS-SP-A13



13

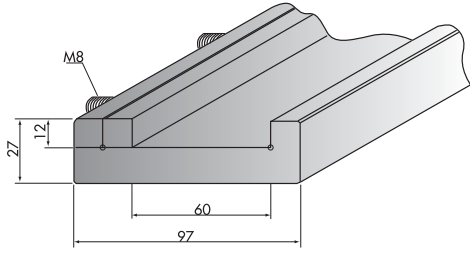


# SHEAR BLADES



# RETROFITTING

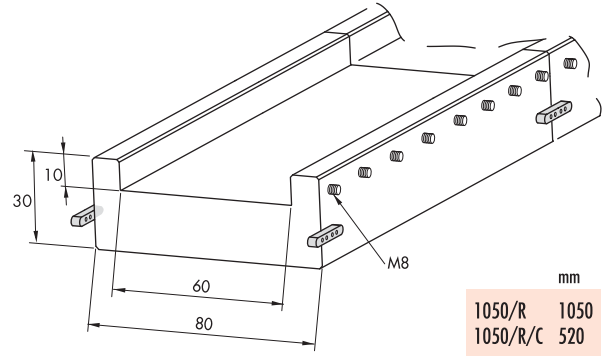
RKS-RT-C-200-2500-3000-4000/S



mm

2000/S	2100
2500/S	2600
3000/S	3100
4000/S	4100

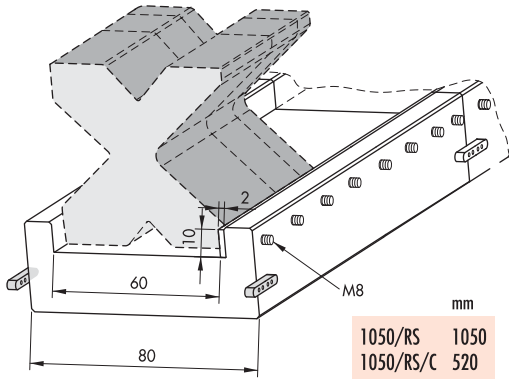
RKS-RT-C-1050/R



mm

1050/R	1050
1050/R/C	520

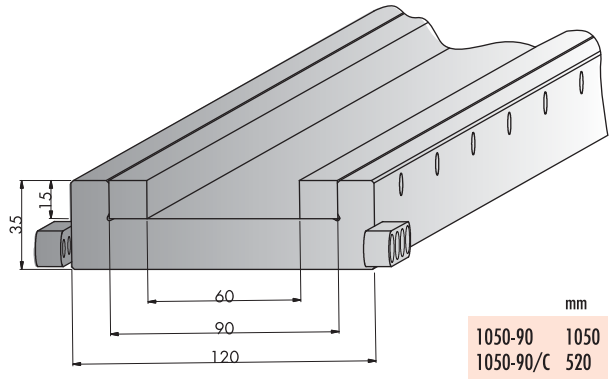
RKS-RT-C-1050/RS



mm

1050/RS	1050
1050/RS/C	520

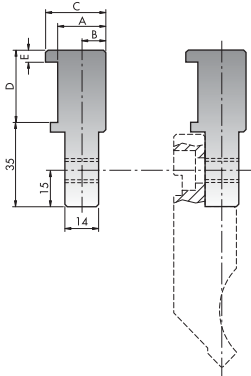
RKS-RT-C-1050-90



mm

1050-90	1050
1050-90/C	520

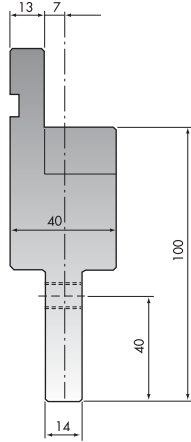
RKS-RT-INT35



mm

35	835
35/C	415
35/F	805

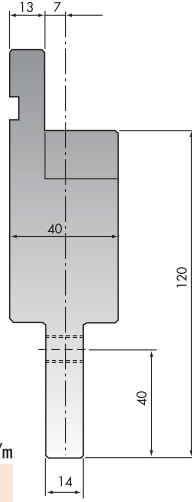
RKS-RT-INT100-150



max t/m

100	100
-----	-----

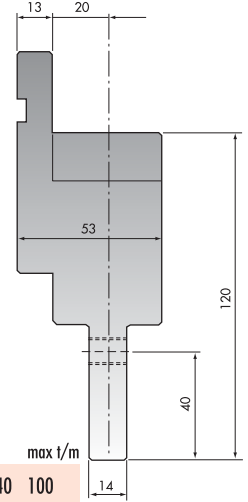
RKS-RT-INT120-150



max t/m

120	100
-----	-----

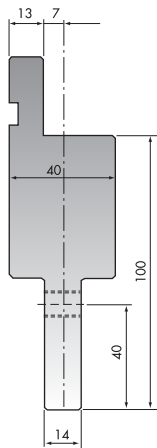
RKS-RT-INT120-40-150



max t/m

120-40	100
--------	-----

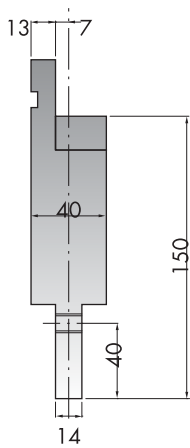
RKS-RT-INT100 FISSO-150



max t/m

FISSO	100
-------	-----

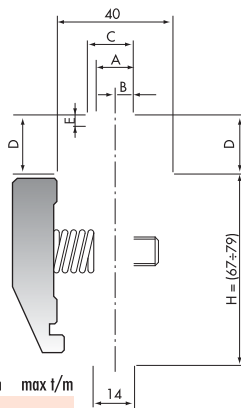
RKS-RT-INT150-150



max t/m

150	100
-----	-----

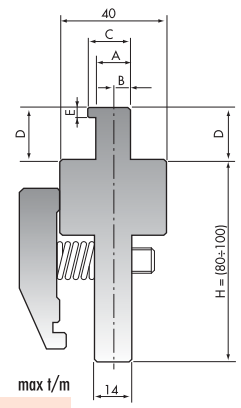
RKS-RT-INT67-79-835-415



mm max t/m

67-79	835	100
67-79/C	415	100

RKS-RT-INT80-100-835-415

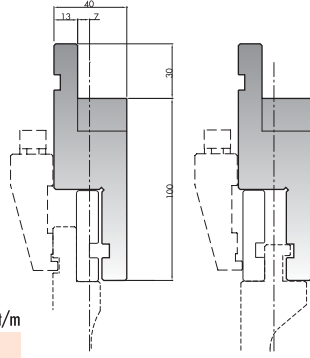


mm max t/m

80-100	835	100
80-100/C	415	100

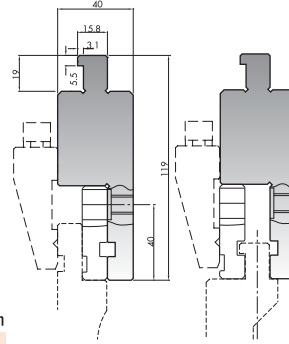
# RETROFITTING

**RKS-RT-00-01-INT100-N-150**



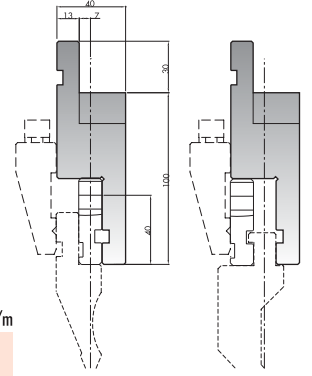
max t/m  
**100-N 100**

**RKS-RT-00-INT100-A-150**



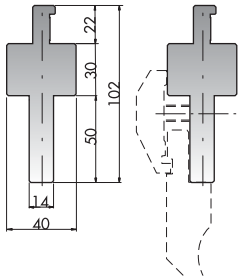
max t/m  
**100-A 100**

**RKS-RT-01-INT100-A-150**



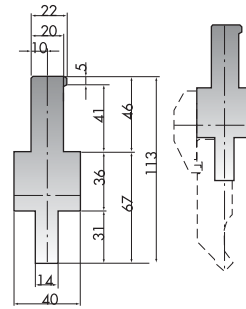
max t/m  
**100-A 100**

**RKS-RT-06-01-AD1-(A-B-C-D)-150**



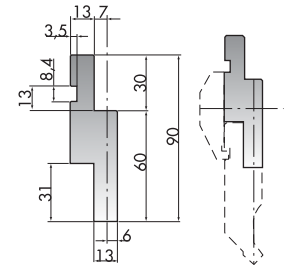
max t/m  
**A 100  
B 100  
C 100  
D 100**

**RKS-RT-03-01-AD3-150**



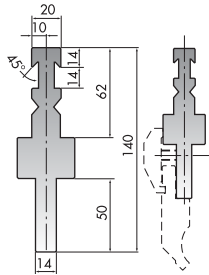
max t/m  
**3 100**

**RKS-RT-01-AD4-150**



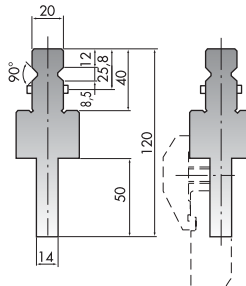
max t/m  
**4 100**

**RKS-RT-03-01-AD10-150**



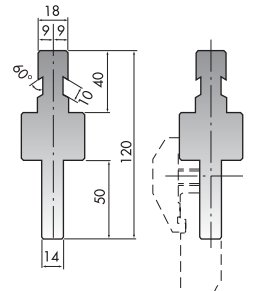
max t/m  
**10 100**

**RKS-RT-02-01-AD11-150**



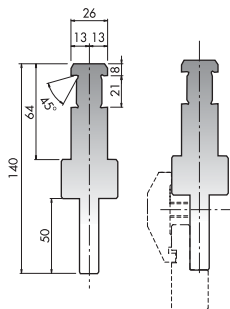
max t/m  
**11 100**

**RKS-RT-05-01-AD12-150**



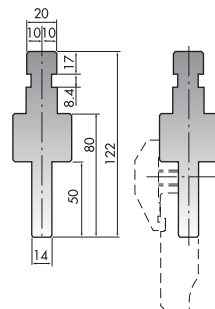
max t/m  
**12 100**

**RKS-RT-01-AD13-150**



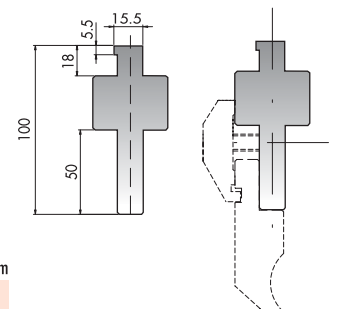
max t/m  
**13 100**

**RKS-RT-04-01-AD14-150**



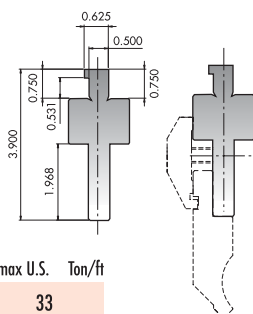
max t/m  
**14 100**

**RKS-RT-08-01-AD15-150**



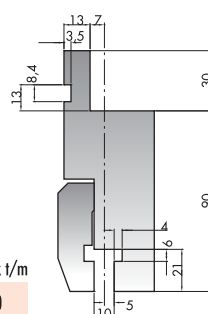
max t/m  
**15 100**

**RKS-RT-00-01-AD16-150**



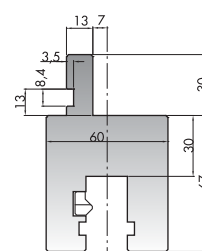
max U.S. Ton/ft  
**16 33**

**RKS-RT-00-06-AD19-A-150**



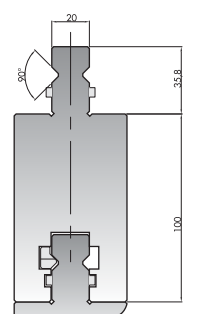
max t/m  
**19-A 100**

**RKS-RT-01-06-AD20-150**



max t/m  
**20 100**

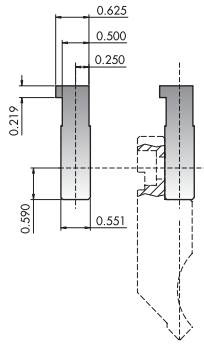
**RKS-RT-02-AD21-150**



max t/m  
**21 150**

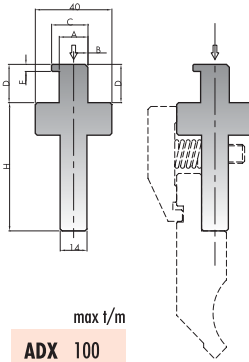
# RETROFITTING

**RKS-RT-00-INT35-A-835-415-805**



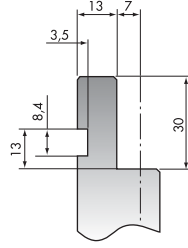
mm  
**35-A** 835  
**35-A/C** 415  
**35-A/F** 805

**RKS-RT-ADX-150**

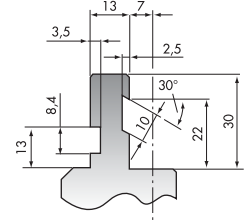


**ADX** 100

**RKS-RT-STANDARD**

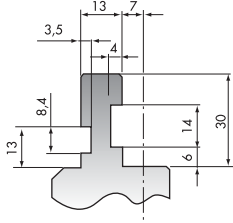


**RKS-RT-A1**



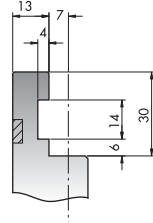
**A1**

**RKS-RT-A6**



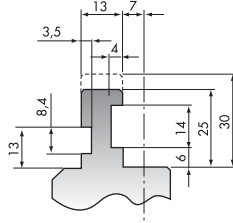
**A6**

**RKS-RT-A41**



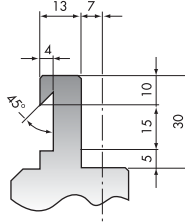
**A41**

**RKS-RT-A7**



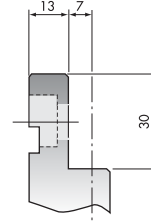
**A7**

**RKS-RT-A8**



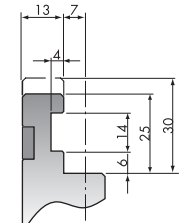
**A8**

**RKS-RT-A9**



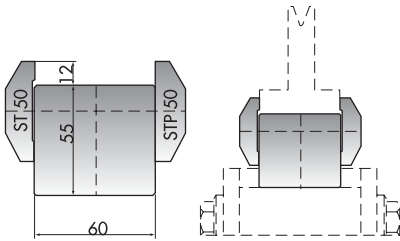
**A9**

**RKS-RT-A42**



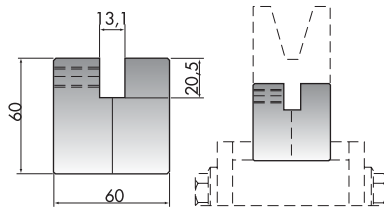
**A42**

**RKS-RT-01-CTS60-835-415**



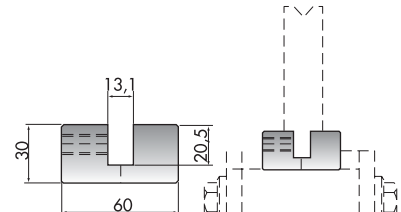
mm  
**60** 835  
**60/C** 415

**RKS-RT-01-02-03-AD5-1000-500**



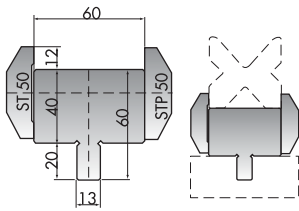
mm  
**5** 1000  
**5/C** 500

**RKS-01-02-03-AD6-1000-500**



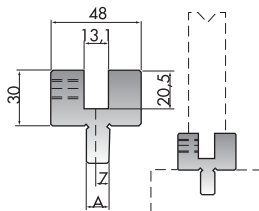
mm  
**6** 1000  
**6/C** 500

**RKS-RT-02-03-01-AD7-835-415**



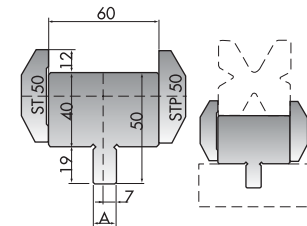
mm  
**7** 835  
**7/C** 415

**RKS-RT-06-02-03-AD8-1000-500**



A mm  
**8** 12  
**8-12.7** 12,7

**RKS-RT-06-01-AD9-835-415**



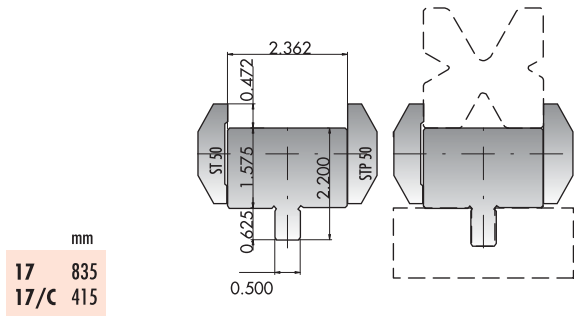
A mm  
**9** 12  
**9-12.7** 12,7



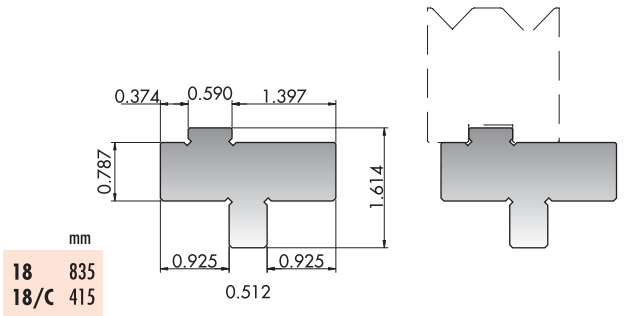


# RETROFITTING

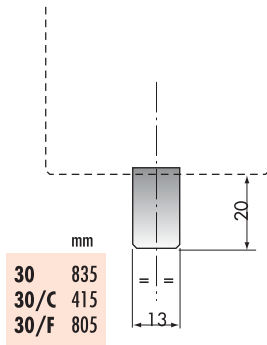
## RKS-RT-00-01-AD17-835-415



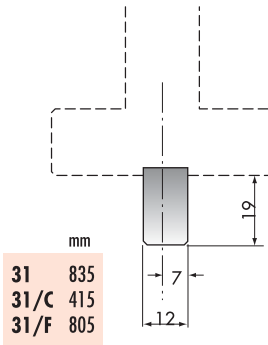
## RKS-RT-00-01-AD18-835-415



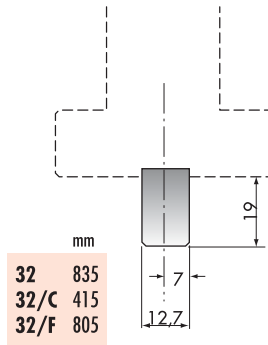
## RKS-RT-02-03-01-A30-835-415-805



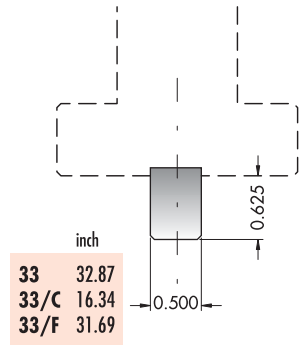
## RKS-RT-06-01-A31-835-415-805



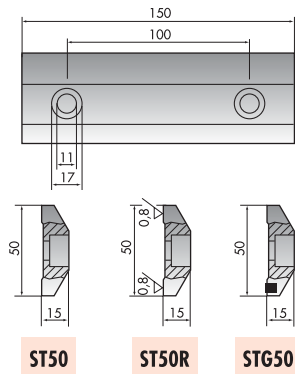
## RKS-RT-06-01-A32-835-415-805



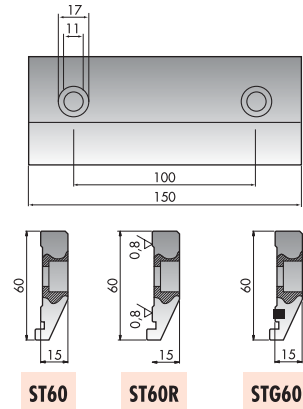
## RKS-RT-00-01-A33-835-415-805



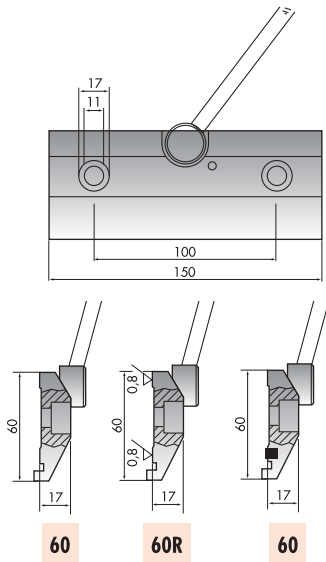
## RKS-RT-(ST50-ST50R-STG50)-150



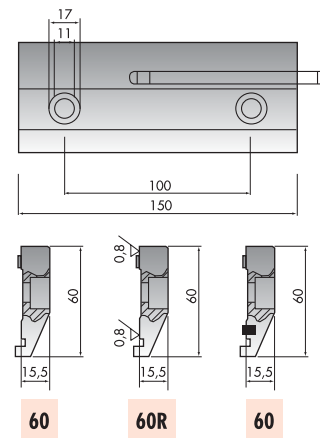
## RKS-RT-(ST60-ST60R-STG60)-150



## RKS-RT-(STL60-STL60R-STLG60)-150

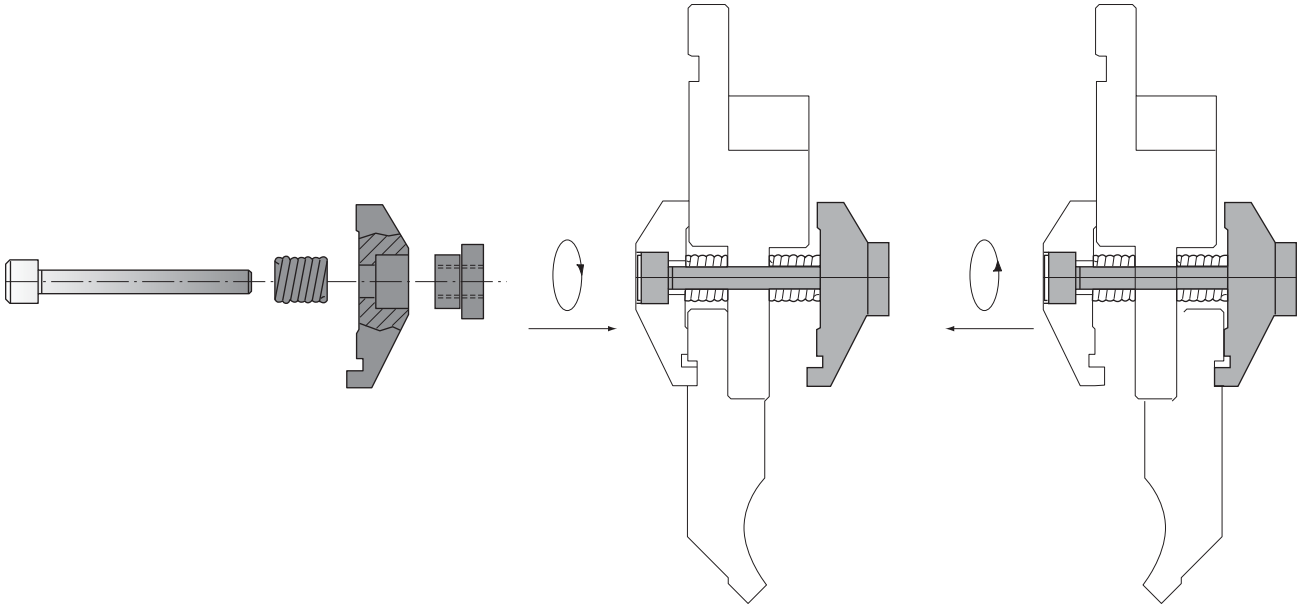


## RKS-RT-(STX60-STX60R-STXG60)-150



# RETROFITTING

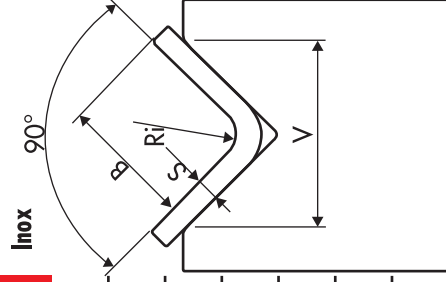
RKS-RT-KDS



**42 kg/mm<sup>2</sup>**

S mm	42 kg/mm <sup>2</sup>										V								
	4	5	6	8	10	12	16	20	25	32		40	50	63	80	100	125	160	200
3	3,5	4	5,5	6,5	8	10,5	13	16,5	21	26	32,5	41	52	65	81,5	104	130	163	B
0,5	0,7	0,8	1	1,3	1,5	2	2,5	3,2	4,4	5	6,5	8	10	12	15	20	25	37	Ri

S	Al										R = 20 kg/mm <sup>2</sup>	r x 0,8								
	30°	B x 1,6	30°	B x 1,6	60°	B x 1,1	90°	B x 1	120°	B x 0,9			150°	B x 0,7	r x 1,4					
0,6	6	5	3	2																
0,8	12	9	7	5	4															
1	15	11	8	6	5															
1,2	18	12	9	7	5															
1,5	21	15	12	8	6															
2	30	23	16	12	9															
2,5	39	27	20	14	11															
3	43	31	23	16	12															
4	60	44	32	23	18															
5	76	54	39	29	22															
6	85	62	45	33	25															
8	121	88	70	46	35															
10	151	109	79	58	44															
12	173	124	91	66	50															
15	213	155	113	81	62															
20	302	220	158	115	89															
25	378	269	197	144	110															



15	INOX - stainless steel R 70 kg/mm <sup>2</sup> Ton x 1,7	213	155	113	81	62
20	AL - aluminium R 20 kg/mm <sup>2</sup> Ton x 0,5	302	220	158	115	89
25	(R = tensile strength)	378	269	197	144	110



[www.rukosen.com.tr](http://www.rukosen.com.tr) - [info@rukosen.com.tr](mailto:info@rukosen.com.tr)  
[www.rukosen.com](http://www.rukosen.com) - [info@rukosen.com](mailto:info@rukosen.com)

Tuzla Mermeciler Org. San.Bölg.Gazi Bulvarı No: 51/A Kat: 2 Tuzla / İST.  
Tel: 0 216 593 13 65 Fax: 0 216 593 13 66